

Minimum setup time, J or K to clock (t_s):		
$T_C = +25^\circ\text{C}$,	$V_{CC} = 2.0\text{ V}$	100 ns
	$V_{CC} = 4.5\text{ V}$	20 ns
	$V_{CC} = 6.0\text{ V}$	17 ns
$T_C = -55^\circ\text{C}/+125^\circ\text{C}$,	$V_{CC} = 2.0\text{ V}$	150 ns
	$V_{CC} = 4.5\text{ V}$	30 ns
	$V_{CC} = 6.0\text{ V}$	26 ns
Minimum recovery time, reset inactive to clock (t_{rec}):		
$T_C = +25^\circ\text{C}$,	$V_{CC} = 2.0\text{ V}$	100 ns
	$V_{CC} = 4.5\text{ V}$	20 ns
	$V_{CC} = 6.0\text{ V}$	17 ns
$T_C = -55^\circ\text{C}/+125^\circ\text{C}$,	$V_{CC} = 2.0\text{ V}$	150 ns
	$V_{CC} = 4.5\text{ V}$	30 ns
	$V_{CC} = 6.0\text{ V}$	26 ns
Minimum clock pulse width (t_w):		
$T_C = +25^\circ\text{C}$,	$V_{CC} = 2.0\text{ V}$	90 ns
	$V_{CC} = 4.5\text{ V}$	18 ns
	$V_{CC} = 6.0\text{ V}$	15 ns
$T_C = -55^\circ\text{C}/+125^\circ\text{C}$,	$V_{CC} = 2.0\text{ V}$	135 ns
	$V_{CC} = 4.5\text{ V}$	27 ns
	$V_{CC} = 6.0\text{ V}$	23 ns
Minimum reset pulse width (t_w):		
$T_C = +25^\circ\text{C}$,	$V_{CC} = 2.0\text{ V}$	100 ns
	$V_{CC} = 4.5\text{ V}$	20 ns
	$V_{CC} = 6.0\text{ V}$	17 ns
$T_C = -55^\circ\text{C}/+125^\circ\text{C}$,	$V_{CC} = 2.0\text{ V}$	150 ns
	$V_{CC} = 4.5\text{ V}$	30 ns
	$V_{CC} = 6.0\text{ V}$	26 ns
Minimum hold time, clock to J or K (t_h):		
$T_C = +25^\circ\text{C}$,	$V_{CC} = 2.0\text{ V}$	25 ns
	$V_{CC} = 4.5\text{ V}$	5 ns
	$V_{CC} = 6.0\text{ V}$	5 ns
$T_C = -55^\circ\text{C}/+125^\circ\text{C}$,	$V_{CC} = 2.0\text{ V}$	40 ns
	$V_{CC} = 4.5\text{ V}$	8 ns
	$V_{CC} = 6.0\text{ V}$	7 ns
Maximum clock frequency (f_{max}):		
$T_C = +25^\circ\text{C}$,	$V_{CC} = 2.0\text{ V}$	5.4 MHz
	$V_{CC} = 4.5\text{ V}$	27 MHz
	$V_{CC} = 6.0\text{ V}$	32 MHz
$T_C = -55^\circ\text{C}/+125^\circ\text{C}$,	$V_{CC} = 2.0\text{ V}$	3.6 MHz
	$V_{CC} = 4.5\text{ V}$	18 MHz
	$V_{CC} = 6.0\text{ V}$	21 MHz

**STANDARDIZED
MILITARY DRAWING**

DEFENSE ELECTRONICS SUPPLY CENTER
DAYTON, OHIO 45444

SIZE
A

5962-85153

REVISION LEVEL
A

SHEET

3

DESC FORM 193A
SEP 87

* U. S. GOVERNMENT PRINTING OFFICE: 1988-550-547

2. APPLICABLE DOCUMENTS

2.1 Government specification and standard. Unless otherwise specified, the following specification and standard, of the issue listed in that issue of the Department of Defense Index of Specifications and Standards specified in the solicitation, form a part of this drawing to the extent specified herein.

SPECIFICATION

MILITARY

MIL-M-38510 - Microcircuits, General Specification for.

STANDARD

MILITARY

MIL-STD-883 - Test Methods and Procedures for Microelectronics.

(Copies of the specification and standard required by manufacturers in connection with specific acquisition functions should be obtained from the contracting activity or as directed by the contracting activity.)

2.2 Order of precedence. In the event of a conflict between the text of this drawing and the references cited herein, the text of this drawing shall take precedence.

3. REQUIREMENTS

3.1 Item requirements. The individual item requirements shall be in accordance with 1.2.1 of MIL-M-38510, "Provisions for the use of MIL-STD-883 in conjunction with compliant non-JAN devices" and as specified herein.

3.2.1 Design, construction, and physical dimensions. The design, construction, and physical dimensions shall be as specified in MIL-M-38510 and herein.

3.2.2 Terminal connections. The terminal connections shall be as specified on figure 1.

3.2.3 Truth table. The truth table shall be as specified on figure 2.

3.2.4 Logic diagram. The logic diagram shall be as specified on figure 2.

3.2.5 Case outlines. The case outlines shall be in accordance with 1.2.2 herein.

3.3 Electrical performance characteristics. Unless otherwise specified, the electrical performance characteristics are as specified in table I and apply over the full case operating temperature range.

3.4 Marking. Marking shall be in accordance with MIL-STD-883 (see 3.1 herein). The part shall be marked with the part number listed in 1.2 herein. In addition, the manufacturer's part number may also be marked as listed in 6.4 herein.

STANDARDIZED MILITARY DRAWING DEFENSE ELECTRONICS SUPPLY CENTER DAYTON, OHIO 45444	SIZE A		5962-85153
		REVISION LEVEL A	SHEET 4

DESC FORM 193A
SEP 87

U. S. GOVERNMENT PRINTING OFFICE: 1988-550-547

TABLE I. Electrical performance characteristics.

Test	Symbol	Conditions 1/ -55°C < T _C < +125°C unless otherwise specified	Group A subgroups	Limits		Unit
				Min	Max	
High level output voltage	V _{OH}	V _{IN} = V _{IH} or V _{IL} I _O ≤ 20 μA	1, 2, 3	V _{CC} = 2.0 V	1.9	V
				V _{CC} = 4.5 V	4.4	
				V _{CC} = 6.0 V	5.9	
		V _{IN} = V _{IH} or V _{IL} I _O ≤ 4.0 mA	V _{CC} = 4.5 V	3.7		
			V _{CC} = 6.0 V	5.2		
Low level output voltage	V _{OL}	V _{IN} = V _{IH} or V _{IL} I _O ≤ 20 μA	1, 2, 3	V _{CC} = 2.0 V	0.1	V
				V _{CC} = 4.5 V	0.1	
				V _{CC} = 6.0 V	0.1	
		V _{IN} = V _{IH} or V _{IL} I _O ≤ 4.0 mA	V _{CC} = 4.5 V	0.4		
			V _{CC} = 6.0 V	0.4		
High level input voltage	V _{IH}	2/	1, 2, 3	V _{CC} = 2.0 V	1.5	V
				V _{CC} = 4.5 V	3.15	
				V _{CC} = 6.0 V	4.2	

See footnotes at end of table.

STANDARDIZED MILITARY DRAWING DEFENSE ELECTRONICS SUPPLY CENTER DAYTON, OHIO 45444	SIZE A	5962-85153
	REVISION LEVEL A	SHEET 5

DESC FORM 193A
SEP 87

U. S. GOVERNMENT PRINTING OFFICE: 1986-550-547

TABLE I. Electrical performance characteristics - Continued.

Test	Symbol	Conditions 1/ -55°C < T _C < +125°C unless otherwise specified	Group A subgroups	Limits		Unit	
				Min	Max		
Low level input voltage	V _{IL}	2/ V _{CC} = 2.0 V	1, 2, 3		0.3	V	
					0.9		
					1.2		
Input capacitance	C _{IN}	V _{IN} = 0 V, T _C = +25°C See 4.3.1c	4		10	pF	
Quiescent current	I _{CC}	V _{CC} = 6.0 V, V _{IN} = V _{CC} or GND	1, 2, 3		80	μA	
Input leakage current	I _{IN}	V _{CC} = 6.0 V, V _{IN} = V _{CC} or GND	1, 2, 3		±1	μA	
Functional tests		See 4.3.1d	7				
Propagation delay time; clock to Q or \bar{Q} 3/	t _{PHL1} , t _{PLH1}	T _C = +25°C C _L = 50 pF ±10% See figure 3	V _{CC} = 2.0 V	9		170	ns
						34	
						29	
		T _C = -55°C and +125°C C _L = 50 pF ±10% See figure 3	V _{CC} = 2.0 V	10, 11		255	ns
						51	
						43	

See footnotes at end of table.

STANDARDIZED MILITARY DRAWING DEFENSE ELECTRONICS SUPPLY CENTER DAYTON, OHIO 45444	SIZE A		5962-85153
		REVISION LEVEL A	SHEET 6

DESC FORM 193A
SEP 87

U. S. GOVERNMENT PRINTING OFFICE: 1988-850-647

TABLE I. Electrical performance characteristics - Continued.

Test	Symbol	Conditions 1/ -55°C < T _C < +125°C unless otherwise specified	Group A subgroups	Limits		Unit	
				Min	Max		
Propagation delay time; reset to Q or \bar{Q} 3/	t _{PHL2} , t _{PLH2}	T _C = +25°C C _L = 50 pF ±10% See figure 3	V _{CC} = 2.0 V	9		155	ns
			V _{CC} = 4.5 V			31	
			V _{CC} = 6.0 V			26	
		T _C = -55°C and +125°C C _L = 50 pF ±10% See figure 3	V _{CC} = 2.0 V	10, 11		235	ns
			V _{CC} = 4.5 V			47	
			V _{CC} = 6.0 V			40	
Transition time, any output 4/	t _{THL} , t _{TLH}	T _C = +25°C C _L = 50 pF ±10% See figure 3	V _{CC} = 2.0 V	9		75	ns
			V _{CC} = 4.5 V			15	
			V _{CC} = 6.0 V			13	
		T _C = -55°C and +125°C C _L = 50 pF ±10% See figure 3	V _{CC} = 2.0 V	10, 11		110	ns
			V _{CC} = 4.5 V			22	
			V _{CC} = 6.0 V			19	

1/ For a power supply of 5 V ±10%, the worse case output voltages (V_{OH} and V_{OL}) occur for HC at 4.5 V. Thus, the 4.5 V values should be used when designing with this supply. Worst case V_{IH} and V_{IL} occur at V_{CC} = 5.5 V and 4.5 V respectively. (The V_{IH} value at 5.5 V is 3.85 V.) The worst case leakage current (I_{IN}, I_{CC}, and I_{OZ}) occur for CMOS at the higher voltage and so the 6.0 V values should be used. Power dissipation capacitance (C_{PD}), typically 40 pF, determines the no load dynamic power consumption, P_D = C_{PD} V_{CC}²f + I_{CC}V_{CC}, and the no load dynamic current consumption, I_S = C_{PD} V_{CC}f + I_{CC}.

2/ Test not required if applied as a forcing function for V_{OH} or V_{OL}.

3/ AC testing at V_{CC} = 2.0 V and V_{CC} = 6.0 V shall be guaranteed, if not tested, to the specified limits.

4/ Transition time (t_{TLH}, t_{THL}), if not tested, shall be guaranteed to the specified limits.

**STANDARDIZED
MILITARY DRAWING**

DEFENSE ELECTRONICS SUPPLY CENTER
DAYTON, OHIO 45444

SIZE
A

5962-85153

REVISION LEVEL
A

SHEET

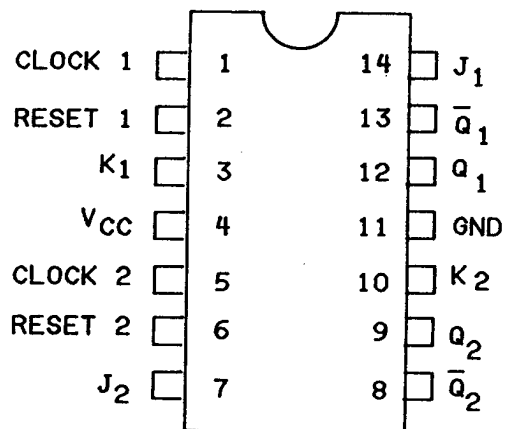
7

DESC FORM 193A
SEP 87

U. S. GOVERNMENT PRINTING OFFICE: 1968-550-547

Device type 01

Case C



Case 2

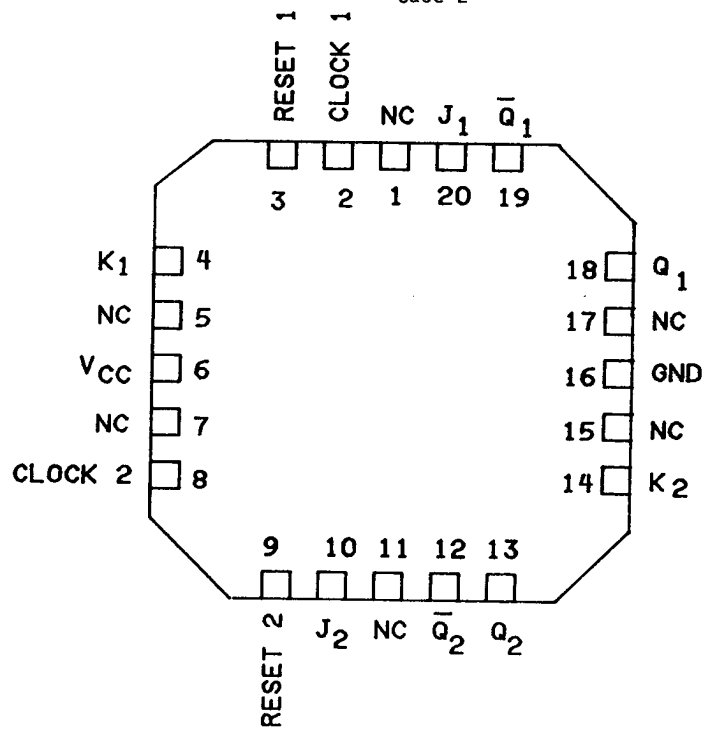
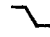






FIGURE 1. Terminal connections (top view).

STANDARDIZED MILITARY DRAWING DEFENSE ELECTRONICS SUPPLY CENTER DAYTON, OHIO 45444	SIZE A	5962-85153	
		REVISION LEVEL A	SHEET 8

DESC FORM 193A
SEP 87

U. S. GOVERNMENT PRINTING OFFICE: 1988-550-547

Inputs				Outputs	
Reset	Clock	J	K	Q	\bar{Q}
L	X	X	X	L	H
H		L	L	No change	
H		L	H	L	H
H		H	L	H	L
H		H	H	Toggle	
H	L	X	X	No change	
H	H	X	X	No change	
H		X	X	No change	

LOGIC DIAGRAM

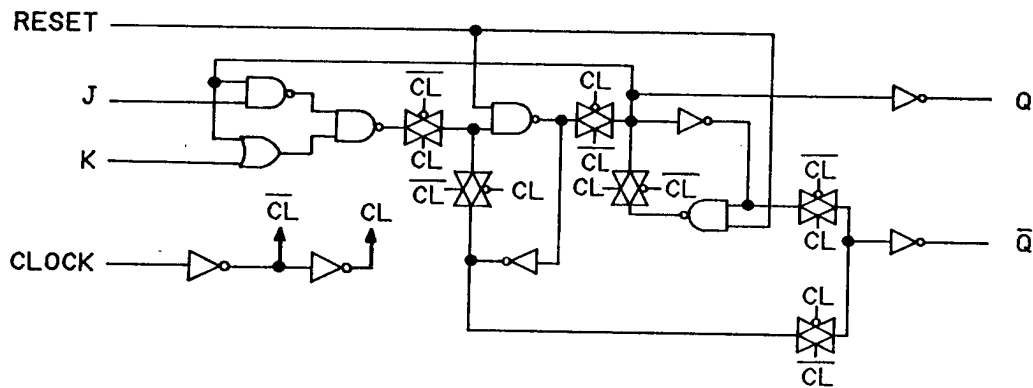


FIGURE 2. Truth table and logic diagram.

STANDARDIZED MILITARY DRAWING DEFENSE ELECTRONICS SUPPLY CENTER DAYTON, OHIO 45444	SIZE A	5962-85153
	REVISION LEVEL A	SHEET 9

DESC FORM 193A
SEP 87

U. S. GOVERNMENT PRINTING OFFICE: 1988 550-547

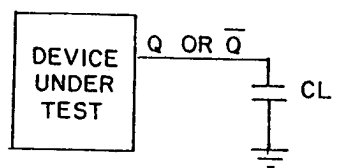
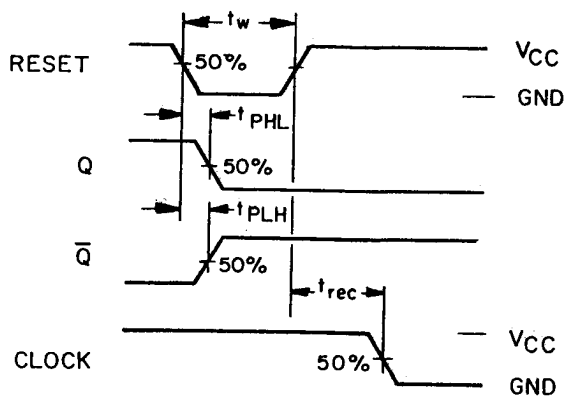
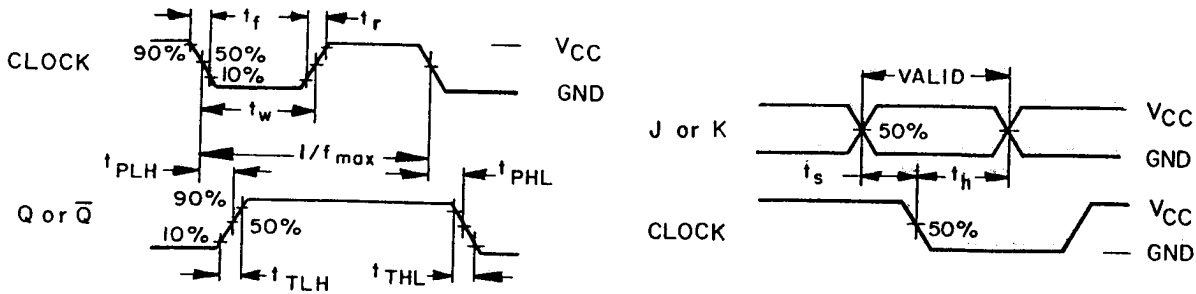


FIGURE 3. Switching schematics.

STANDARDIZED MILITARY DRAWING DEFENSE ELECTRONICS SUPPLY CENTER DAYTON, OHIO 45444	SIZE A	5962-85153
	REVISION LEVEL A	SHEET 10

DESC FORM 193A
SEP 87

U. S. GOVERNMENT PRINTING OFFICE: 1988-550-547

3.5 Certificate of compliance. A certificate of compliance shall be required from a manufacturer in order to be listed as an approved source of supply in 6.4. The certificate of compliance submitted to DESC-ECS prior to listing as an approved source of supply shall state that the manufacturer's product meets the requirements of MIL-STD-883 (see 3.1 herein) and the requirements herein.

3.6 Certificate of conformance. A certificate of conformance as required in MIL-STD-883 (see 3.1 herein) shall be provided with each lot of microcircuits delivered to this drawing.

3.7 Notification of change. Notification of change to DESC-ECS shall be required in accordance with MIL-STD-883 (see 3.1 herein).

3.8 Verification and review. DESC, DESC's agent, and the acquiring activity retain the option to review the manufacturer's facility and applicable required documentation. Offshore documentation shall be made available onshore at the option of the reviewer.

4. QUALITY ASSURANCE PROVISIONS

4.1 Sampling and inspection. Sampling and inspection procedures shall be in accordance with section 4 of MIL-M-38510 to the extent specified in MIL-STD-883 (see 3.1 herein).

4.2 Screening. Screening shall be in accordance with method 5004 of MIL-STD-883, and shall be conducted on all devices prior to quality conformance inspection. The following additional criteria shall apply:

a. Burn-in test, method 1015 of MIL-STD-883.

(1) Test condition A, B, C, or D using the circuit submitted with the certificate of compliance (see 3.5 herein).

(2) $T_A = +125^{\circ}\text{C}$, minimum.

b. Interim and final electrical test parameters shall be as specified in table II herein, except interim electrical parameter tests prior to burn-in are optional at the discretion of the manufacturer.

4.3 Quality conformance inspection. Quality conformance inspection shall be in accordance with method 5005 of MIL-STD-883 including groups A, B, C, and D inspections. The following additional criteria shall apply.

4.3.1 Group A inspection.

a. Tests shall be as specified in table II herein.

b. Subgroups 5, 6, and 8 in table I, method 5005 of MIL-STD-883 shall be omitted.

c. Subgroup 4 (C_{IN} measurement) shall be measured only for the initial test and after process or design changes which may affect capacitance. Test all applicable pins on 5 devices with zero failures.

d. Subgroup 7 tests sufficient to verify the truth table.

STANDARDIZED MILITARY DRAWING DEFENSE ELECTRONICS SUPPLY CENTER DAYTON, OHIO 45444	SIZE A		5962-85153
		REVISION LEVEL A	SHEET 11

DESC FORM 193A
SEP 87

U. S. GOVERNMENT PRINTING OFFICE: 1988-550-547

4.3.2 Groups C and D inspections.

- a. End-point electrical parameters shall be as specified in table II herein.
- b. Steady-state life test conditions, method 1005 of MIL-STD-883.
 - (1) Test condition A, B, C, or D using the circuit submitted with the certificate of compliance (see 3.5 herein).
 - (2) $T_A = +125^\circ\text{C}$, minimum.
 - (3) Test duration: 1,000 hours, except as permitted by method 1005 of MIL-STD-883.

TABLE II. Electrical test requirements.

MIL-STD-883 test requirements	Subgroups (per method 5005, table I)
Interim electrical parameters (method 5004)	---
Final electrical test parameters (method 5004)	1*, 2, 9
Group A test requirements (method 5005)	1, 2, 3, 4, 7, 9, 10**, 11**
Groups C and D end-point electrical parameters (method 5005)	1, 2, 3

- * PDA applies to subgroup 1.
- ** Subgroups 10 and 11, if not tested, shall be guaranteed to the specified limits in table I.

5. PACKAGING

5.1 Packaging requirements. The requirements for packaging shall be in accordance with MIL-M-38510.

6. NOTES

6.1 Intended use. Microcircuits conforming to this drawing are intended for use when military specifications do not exist and qualified military devices that will perform the required function are not available for OEM application. When a military specification exists and the product covered by this drawing has been qualified for listing on QPL-38510, the device specified herein will be inactivated and will not be used for new design. The QPL-38510 product shall be the preferred item for all applications.

STANDARDIZED MILITARY DRAWING DEFENSE ELECTRONICS SUPPLY CENTER DAYTON, OHIO 45444	SIZE A	5862-85153
	REVISION LEVEL A	SHEET 12

6.2 Replaceability. Replaceability is determined as follows:

- a. Microcircuits covered by this drawing will replace the same generic device covered by a contractor-prepared specification or drawing.
- b. When a QPL source is established, the part numbered device specified in this drawing will be replaced by the microcircuit identified as part number M38510/65301B--.

6.3 Comments. Comments on this drawing should be directed to DESC-ECS, Dayton, Ohio 45444, or telephone 513-296-5375.

6.4 Approved sources of supply. Approved sources of supply are listed herein. Additional sources will be added as they become available. The vendors listed herein have agreed to this drawing and a certificate of compliance (see 3.5 herein) has been submitted to DESC-ECS.

Military drawing part number	Vendor CAGE number	Vendor similar part number ^{1/}	Replacement military specification part number
5962-8515301CX	04713 18714 27014	54HC73/BCAJC CD54HC73F/3A MM54HC73J/883	M38510/65301BCX
5962-85153012X	04713 27014	54HC73M/B2AJC MM54HC73E/883	M38510/65301B2X

^{1/} Caution. Do not use this number for item acquisition. Items acquired to this number may not satisfy the performance requirements of this drawing.

Vendor CAGE number	Vendor name and address
04713	Motorola, Incorporated 7402 S. Price Road Tempe, AZ 85283
18714	GE/RCA Corporation Solid State Division Route 202 Somerville, NJ 08876
27014	National Semiconductor 333 Western Avenue South Portland, ME 04106

STANDARDIZED MILITARY DRAWING DEFENSE ELECTRONICS SUPPLY CENTER DAYTON, OHIO 45444	SIZE A	5962-85153
	REVISION LEVEL A	SHEET 13

DESC FORM 193A
SEP 87

U. S. GOVERNMENT PRINTING OFFICE: 1988-550-547