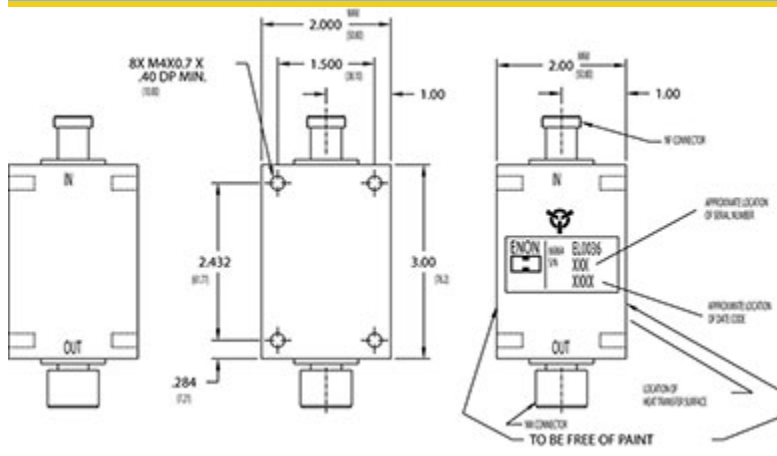


# High Power Limiters EL0036 1.25 GHz to 1.35 GHz



## Power Input Specifications

RF Frequency	1.25 GHz to 1.35 GHz
Peak Power	1000 Watts (max)
Average Power	50 Watts (max)
Pulse Width	100 uSec

## Microwave Specifications

Insertion Loss	0.5 dB
VSWR	1.3:1
Recovery Time	1 uS
Flat Leakage	+20 dBm

## Mechanical Environmental Notes

Specifications subject to change without notice

Micronetics, Inc. | Hudson, NH | Tel: 1-603-883-2900 | [www.Micronetics.com](http://www.Micronetics.com)



