

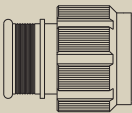
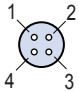
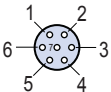
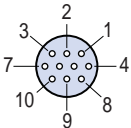
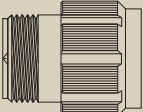


**801-036 and 801-039**  
**Series 801 Mighty Mouse High-Speed**  
**Double-Start ACME Threads**  
**Plug Connector Ordering Information**



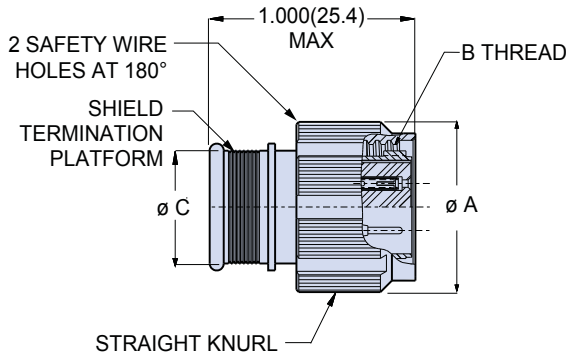
**Series 801 High Speed Plug Connector**

Glenair's Series 801 Mighty Mouse connector features a double-start modified stub ACME mating thread for improved protection against cross-mating and thread damage. Connector shells are machined aluminum or stainless steel. The connector is equipped with special PFA (Teflon) insulators and is optimized for use with high-speed differential wire such as our 859-041 cable. Three insert arrangements are offered with 4, 7 and 10 #23 AWG contacts, packaged separately. Terminate contacts with standard M22520 tools. Metal clips inside the connector body lock contact into place. Contacts are removable. Fluorosilicone seals and rear grommet protect connector from water ingress. Terminate cable shield directly to connector body with BAND-IT strap, or choose rear accessory thread to attach optional cable clamp or backshell.

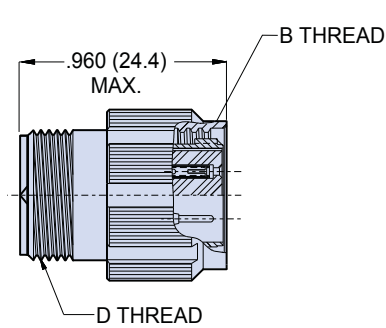
HOW TO ORDER					
Sample Part Number					
801-036	-16	M	7-10	P	A
Series	Shell Style	Shell Material / Finish	Shell Size- Insert Arrangement	Contact Type	Shell Key Position
 <b>801-036</b> Banding Platform	<b>-16</b> Plug with Anti-Decoupling Spring  <b>-26</b> Self-Locking Plug with Ratchet Mechanism (the "Clicker")	<b>M</b> Aluminum / Electroless Nickel RoHS Compliant	 <b>6 - 4</b>	<b>Connector supplied with contacts</b>  <b>A</b> Pin Connector, Less Contacts  <b>B</b> Socket Connector, Less Contacts  <b>P</b> Pin  <b>S</b> Socket  <b>G</b> Pin with 30 AWG Crimp Barrel  <b>H</b> Socket with 30 AWG Crimp Barrel  Connectors with contacts are supplied with signal crimp contacts. These contacts are not installed.	<b>A</b> Normal  Alternate Key Positions: <b>B</b> <b>C</b> <b>D</b> <b>E</b> <b>F</b>
		<b>NF</b> Aluminum / Cadmium with Olive Drab Chromate  <b>ZNU</b> Aluminum / Zinc-Nickel with Black Chromate  <b>MT</b> Aluminum / Nickel-PTFE RoHS Compliant  <b>Z1</b> Stainless Steel / Passivated RoHS Compliant	 <b>6 - 7</b>   <b>7 - 10</b>		
 <b>801-039</b> Rear Accessory Thread					

Dimensions in Inches (millimeters) are subject to change without notice.

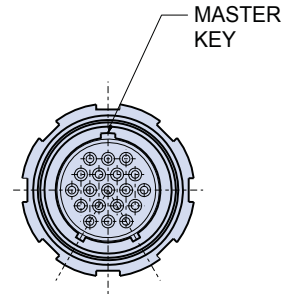
**801-036 and 801-039**  
**Series 801 Mighty Mouse High-Speed**  
**Double-Start ACME Threads**  
**Plug Connector Ordering Information**



**Integral Band Platform**  
**801-036**



**Accessory Thread**  
**801-039**



Dimensions									
Shell Size	Style 16		Style 26		B Thread	Ø C		D Thread UNEF-2A	
	Ø A		Ø A			In.	mm.		
	In.	mm.	In.	mm.					
6	.60	15.2	.70	17.8	.375-.05P-1L-2B	.290	7.4	.3125-32	
7	.69	17.5	.79	20.1	.4375-.05P-1L-2B	.390	9.9	.4375-28	

High Speed Performance	
Impedance	100 OHMS ±7 OHMS at 100-Picosecond
VSWR	<1.4 up to 4-GHz

In order to achieve high speed performance, this Connector must be mated to another high speed Mighty Mouse Connector.

This Connector mates with all Quick Coupling High Density Receptacle Connectors with same polarization and opposite contact gender, (801-003 through 801-006 and 801-009 through 801-012)

Plug Key Positions		
	A°	B°
A	150°	210°
B	75°	210°
C	95°	230°
D	140°	275°
E	75°	275°
F	95°	210°

Insertion Loss	
1 GHz	.51 dB
2 GHz	.53 dB
3 GHz	.57 dB
4 GHz	1.2 dB
5 GHz	1.25 dB

Data taken with adjacent pairs and grommet removed.

**Material and Finish**

Plug Barrel, Coupling Nut: Aluminum Alloy or Stainless Steel  
 Insulator: PFA  
 Interfacial Seal, Grommet Seal: Fluorosilicone  
 Contact: Copper Alloy, 50 Microinch Gold Plated per ATSM B 488, Type II, Code C, Class 1.25 (.00005 Min THK), over a suitable underplate.

Dimensions in Inches (millimeters) are subject to change without notice.