

PLEASE CHECK WWW.MOLEX.COM FOR LATEST PART INFORMATION

Part Number: [0684250395](#)
Status: **Planned for Obsolescence**
Description: 4.95mm (.195") Pitch Wire-to-Board Receptacle Housing, with Positive Latch, 3 Circuits

Documents:

[Drawing \(PDF\)](#) [RoHS Certificate of Compliance \(PDF\)](#)
[Product Specification PS-68187-002 \(PDF\)](#)

General

Product Family Crimp Housings
 Series [68425](#)
 Product Name N/A

Physical

Circuits (maximum) 3
 Gender Female
 Glow-Wire Compliant No
 Lock to Mating Part Yes
 Number of Rows 1
 Packaging Type Bag
 Panel Mount No
 Pitch - Mating Interface (in) 0.195 In
 Pitch - Mating Interface (mm) 4.95 mm
 Polarized to Mating Part Yes
 Stackable No
 Temperature Range - Operating -40°C to +120°C

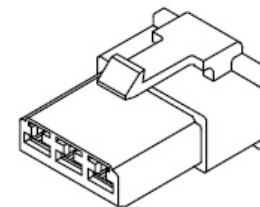
Electrical

Current - Maximum per Contact 5A

Material Info

Reference - Drawing Numbers

Packaging Specification PK-68425-002
 Product Specification PS-68187-002
 Sales Drawing SD-68425-002



*Series
image - Reference only*

EU RoHS

**ELV and RoHS
Compliant**
REACH SVHC
 Not Reviewed
**Halogen-Free
Status**
Not Reviewed

China RoHS



**Need more information on product
environmental compliance?**

Email productcompliance@molex.com
 For a multiple part number RoHS Certificate of Compliance, [click here](#)

Please visit the [Contact Us](#) section for any non-product compliance questions.

Search Parts in this Series

[68425Series](#)

Mates With

[68187 PCB Header](#)

Use With

[57994 Terminal](#)

DWG. NO.
SD-68425-002

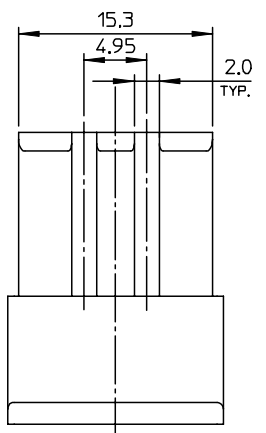
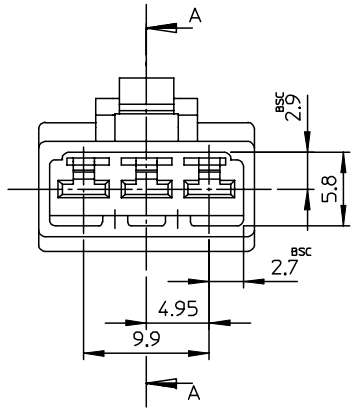
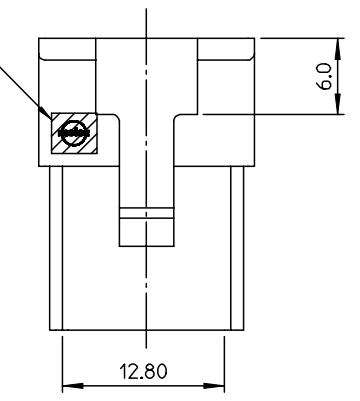
SIMILAR ITEM

PROJECT NO.

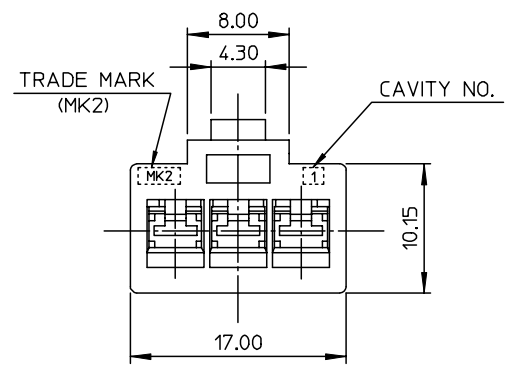
B

DO NOT SCALE DRAWING
DIMENSION IN METRIC

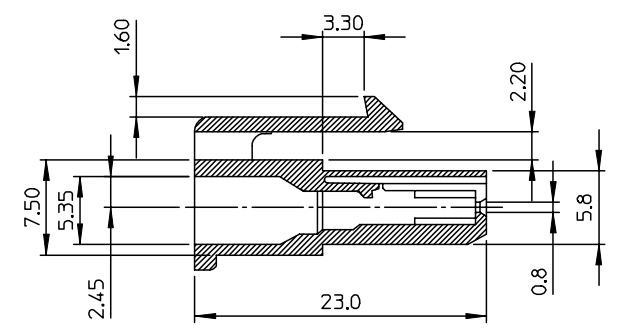
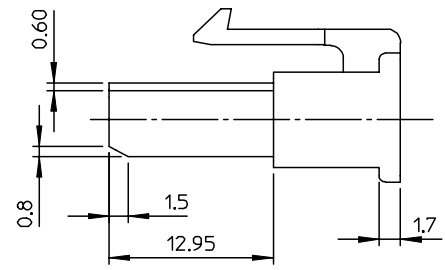
LOGO
(MOLEX)



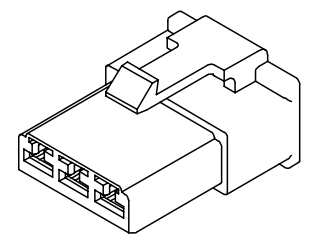
"E"



VIEW "E"



SECTION A-A



NOTES

1. MATERIAL : POLYAMIDE66, UL94V-2, DARKBLUE COLOR
2. APPLICABLE TERMINAL 57994-9802,9902
3. MATED HEADER : 68187-0315/0325

NEW RELEASED ECN NO. KOR2005-0170 DRWN: jh.jin 05/03/04 CHK: W.Y.YANG APPR: CW.LEE	QUALITY SYMBOLS MAJOR ∇ -0 CRITICAL ∇ C-0	GENERAL TOLERANCES: (UNLESS SPECIFIED)		SCALE 2:1	DESIGN UNITS <input checked="" type="checkbox"/> mm <input type="checkbox"/> INCH	THIRD ANGLE PROJECTION <input checked="" type="checkbox"/> mm <input type="checkbox"/> INCH	DIMENSIONS: <input type="checkbox"/> mm <input type="checkbox"/> INCH <input checked="" type="checkbox"/> mm ONLY	SHT	REV	
		4 PLACES	$\pm 0.$	$\pm -$	DRAWN BY & DATE C.B.CHIN 02/12/03		TITLE: .110 W/B CONN. HOUSING-3P			
		3 PLACES	$\pm 0.$	$\pm -$	CHECKED BY & DATE W.Y.YANG 02/12/03					
		2 PLACES	± 0.30	$\pm -$	APPROVED BY & DATE C.W.LEE 02/12/03		MOLEX INCORPORATED			
1 PLACE	± 0.25	$\pm -$	ANGULAR: $\pm 1^\circ$		CAD FILENAME S684250395.MI	MATERIAL NO. 684250395	DRAWING NO. SD-68425-002	SHEET NO.		
A1	REV	DRAFT WHERE APPLICABLE MUST REMAIN WITHIN DIMENSIONS				THIS DRAWING CONTAINS INFORMATION THAT IS PROPRIETARY TO MOLEX INCORPORATED AND SHOULD NOT BE USED WITHOUT WRITTEN PERMISSION.				SIZE B

KOREA

MX-A3