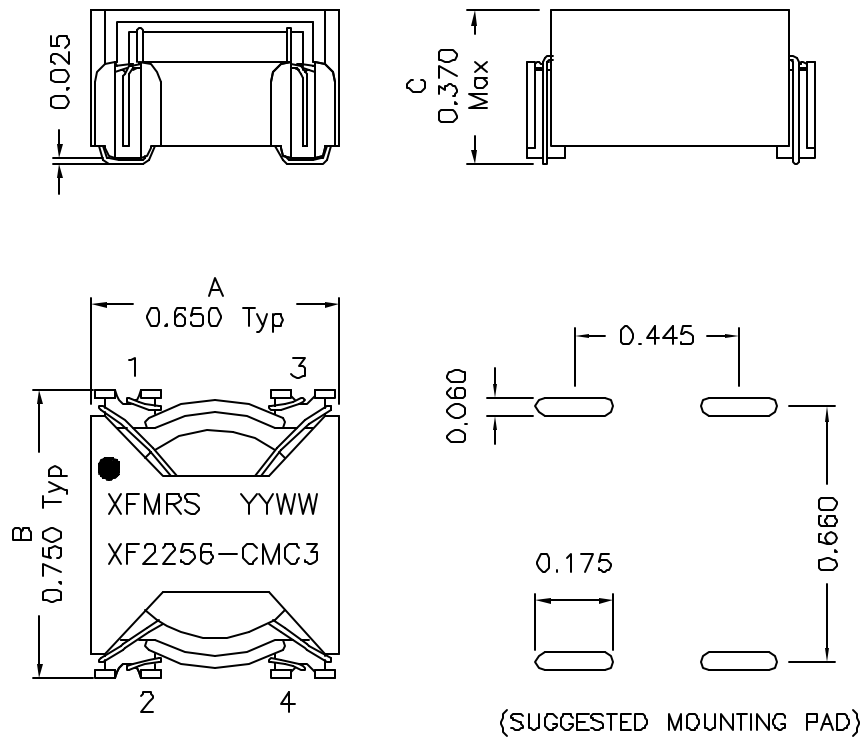
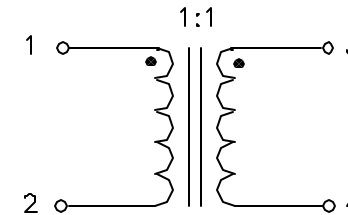


1. Mechanical Dimensions:



2. Schematic:



3. Electrical Specifications:

OCL: 225uH±25% @10KHz 1.0V

DCR: 0.060 Ohms Max

Rated Current: 3.3A (Based on a 55°C Temp Rise)

URNS RATIO: Pins (1-2):(3-4)=1:1±5%

HIPOT: 500Vac, Wdg to Wdg

Notes:

1. Solderability: Leads shall meet MIL-STD-202G, Method 208H for solderability.
2. Flammability: UL94V-0
3. ASTM oxygen index > 28%
4. Insulation System: Class F 155°C. UL file E151558
5. Operating Temperature Range: All listed parameters are to be within tolerance from -40°C to +85°C
6. Storage Temperature Range: -55°C to +125°C
7. Aqueous wash compatible
8. SMD Lead Coplanarity: ±0.004*(0.102mm)
9. Electrical and mechanical specifications 100% tested
10. RoHS Compliant Component

XFMR5 Inc. www.XFMR5.com	Title: Common Mode Choke		
	UNLESS OTHERWISE SPECIFIED TOLERANCES: .xxx ±0.010 INCH Dimensions in INCH	P/N: XF2256-CMC3	REV. B
SHEET 1 OF 1	DWN.	Juan Mao	Jun-29-07
	CHK.	YK Liao	Jun-29-07
	APP.	Joe Huff	Jun-29-07

DOC REV: B/1

PROPRIETARY Document is the property of XFMR5 Group & is not allowed to be duplicated without authorization.