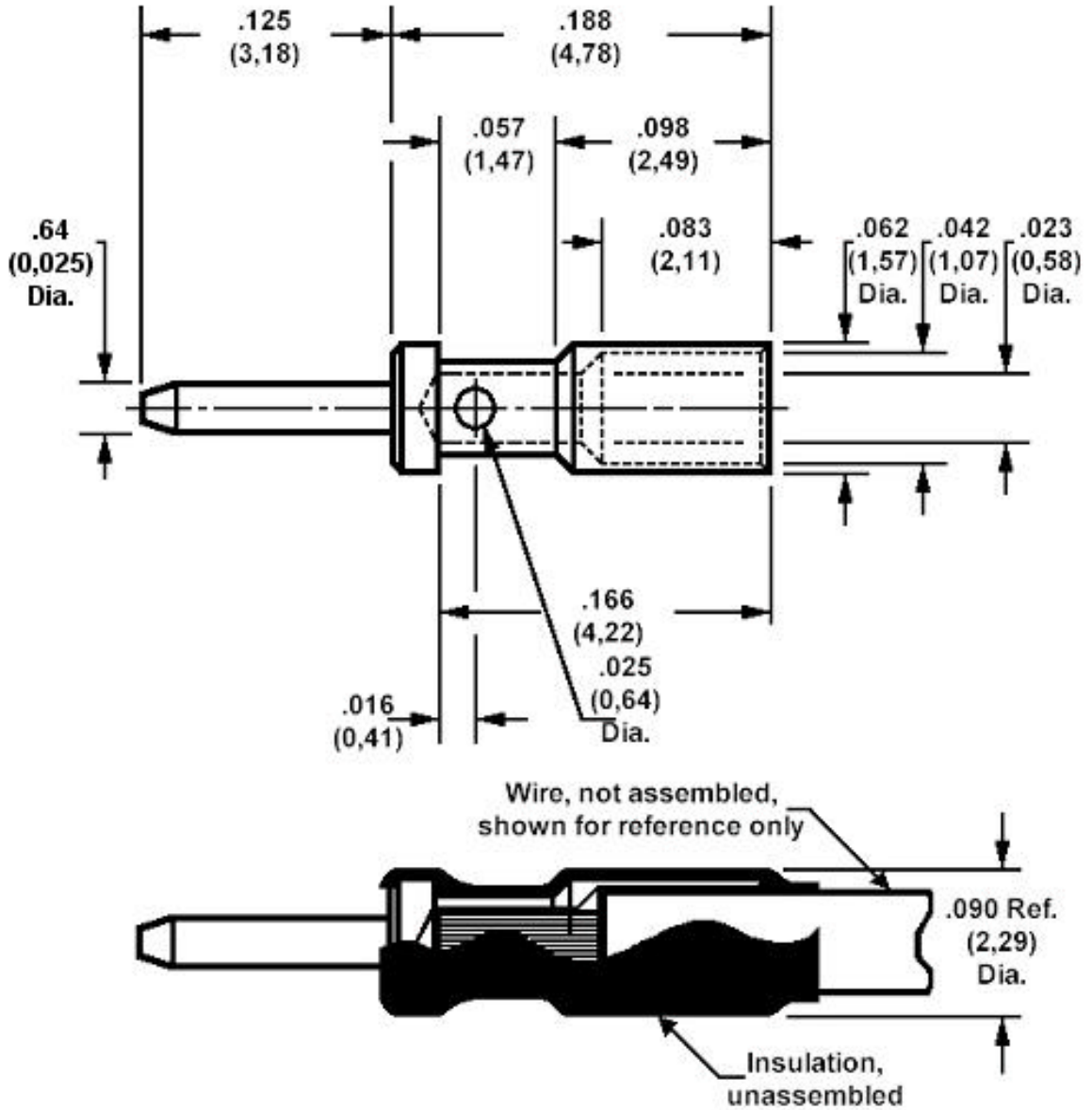


461-3102 Connector pin for patch lead ends, .025 (0,64) diameter pin
 (supplied with loose heat shrink insulator)
 (connector pin supplied without insulator, 460-3050)



How to order code
461-3102-01-XX-10
 Basic Part No XX= Plating

MATERIALS			
Component	Material	Finish (-03)	Finish (-04)
Pin	Brass	Gold over Nickel	Electro-tin over copper
Insulator	Polyolefin plastic	Black, supplied unassembled	

Recommended hook up wire (not supplied) 28 AWG, 7 strand x 36AWG copper wire with plastic insulation .039 (0,99) maximum diameter over insulation.