

REVISIONS															
LTR	DESCRIPTION	DATE (YR-MO-DA)	APPROVED												
A	Add case outline L. - drw	99-09-01	Raymond Monnin												
REV															
SHEET															
REV															
SHEET															
REV STATUS OF SHEETS		REV	A	A	A	A	A	A	A	A	A	A	A	A	A
		SHEET	1	2	3	4	5	6	7	8	9	10	11		
PMIC N/A		PREPARED BY Dan Wonnell				DEFENSE SUPPLY CENTER COLUMBUS COLUMBUS, OHIO 43216  MICROCIRCUIT, DIGITAL-LINEAR, CMOS, SINGLE SUPPLY, 600 KSPS, 12-BIT, A/D CONVERTER, MONOLITHIC SILICON  SIZE                      CAGE CODE <b>5962-96846</b>  SHEET                      1                      OF                      11									
<b>STANDARD MICROCIRCUIT DRAWING</b>  THIS DRAWING IS AVAILABLE FOR USE BY ALL DEPARTMENTS AND AGENCIES OF THE DEPARTMENT OF DEFENSE  AMSC N/A		CHECKED BY Ray Monnin													
		APPROVED BY Ray Monnin													
		DRAWING APPROVAL DATE 96-07-25													
		REVISION LEVEL													

DSCC FORM 193  
SEP 96

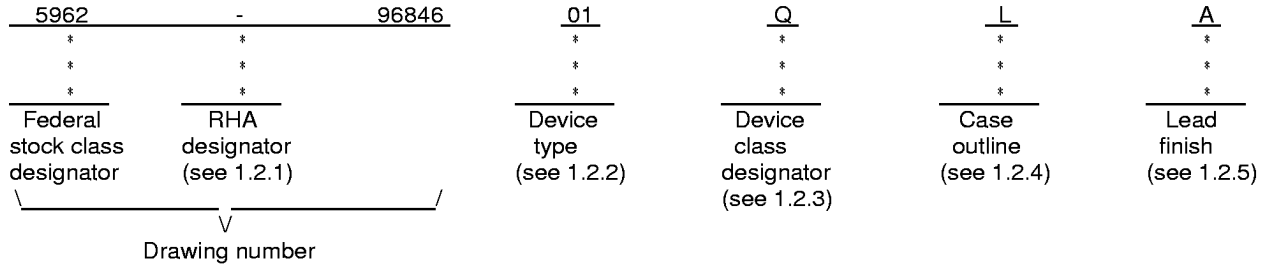
DISTRIBUTION STATEMENT A. Approved for public release; distribution is unlimited.

5962-E459-99

1. SCOPE

1.1 Scope. This drawing documents two product assurance class levels consisting of high reliability (device classes Q and M) and space application (device class V). A choice of case outlines and lead finishes are available and are reflected in the Part or Identifying Number (PIN). When available, a choice of Radiation Hardness Assurance (RHA) levels are reflected in the PIN.

1.2 PIN. The PIN is as shown in the following example:



1.2.1 RHA designator. Device classes Q and V RHA marked devices meet the MIL-PRF-38535 specified RHA levels and are marked with the appropriate RHA designator. Device class M RHA marked devices meet the MIL-PRF-38535, appendix A specified RHA levels and are marked with the appropriate RHA designator. A dash (-) indicates a non-RHA device.

1.2.2 Device type(s). The device type(s) identify the circuit function as follows:

<u>Device type</u>	<u>Generic number</u>	<u>Circuit function</u>
01	7892S	Single supply 12-bit 600 KSPS ADC

1.2.3 Device class designator. The device class designator is a single letter identifying the product assurance level as follows:

<u>Device class</u>	<u>Device requirements documentation</u>
M	Vendor self-certification to the requirements for MIL-STD-883 compliant, non-JAN class level B microcircuits in accordance with MIL-PRF-38535, appendix A
Q or V	Certification and qualification to MIL-PRF-38535

1.2.4 Case outline(s). The case outline(s) are as designated in MIL-STD-1835 and as follows:

<u>Outline letter</u>	<u>Descriptive designator</u>	<u>Terminals</u>	<u>Package style</u>
J	GDIP1-T24 or CDIP2-T24	24	Dual-in-line
L	GDIP3-T24 or CDIP4-T24	24	Dual-in-line

1.2.5 Lead finish. The lead finish is as specified in MIL-PRF-38535 for device classes Q and V or MIL-PRF-38535, appendix A for device class M.

STANDARD MICROCIRCUIT DRAWING DEFENSE SUPPLY CENTER COLUMBUS COLUMBUS, OHIO 43216-5000	SIZE <b>A</b>		5962-96846
		REVISION LEVEL <b>A</b>	SHEET <b>2</b>

1.3 Absolute maximum ratings. 1/

V <sub>DD</sub> to AGND .....	-0.3 V dc to +7 V dc
V <sub>DD</sub> to DGND .....	-0.3 V dc to +7 V dc
Analog input voltage to AGND .....	±17 V dc
Reference input voltage to AGND .....	-0.3 V dc to V <sub>DD</sub> + 0.3 V dc
Digital input voltage to DGND .....	-0.3 V dc to V <sub>DD</sub> + 0.3 V dc
Digital output voltage to DGND .....	-0.3 V dc to V <sub>DD</sub> + 0.3 V dc
Power dissipation (P <sub>D</sub> ) .....	450 mW
Storage temperature range .....	-65°C to +150°C
Junction temperature (T <sub>J</sub> ) .....	+150°C
Lead temperature (soldering, 10 sec) .....	+300°C
Thermal resistance, junction-to-ambient (θ <sub>JA</sub> ) .....	70°C/W

1.4 Recommended operating conditions.

Ambient operating temperature range (T <sub>A</sub> ) .....	-55°C to +125°C
---	-----------------

2. APPLICABLE DOCUMENTS

2.1 Government specification, standards, and handbooks. The following specification, standards, and handbooks form a part of this drawing to the extent specified herein. Unless otherwise specified, the issues of these documents are those listed in the issue of the Department of Defense Index of Specifications and Standards (DoDISS) and supplement thereto, cited in the solicitation.

SPECIFICATION

MILITARY

MIL-PRF-38535 - Integrated Circuits, Manufacturing, General Specification for.

STANDARDS

MILITARY

MIL-STD-883 - Test Methods and Procedures for Microelectronics.  
 MIL-STD-973 - Configuration Management.  
 MIL-STD-1835 - Microcircuit Case Outlines.

HANDBOOKS

MILITARY

MIL-HDBK-103 - List of Standard Microcircuit Drawings (SMD's).  
 MIL-HDBK-780 - Standard Microcircuit Drawings.

(Unless otherwise indicated, copies of the specification, standards, and handbooks are available from the Standardization Document Order Desk, 700 Robbins Avenue, Building 4D, Philadelphia, PA 19111-5094.)

2.2 Order of precedence. In the event of a conflict between the text of this drawing and the references cited herein, the text of this drawing takes precedence. Nothing in this document, however, supersedes applicable laws and regulations unless a specific exemption has been obtained.

1/ Stresses above the absolute maximum rating may cause permanent damage to the device. Extended operation at the maximum levels may degrade performance and affect reliability.

STANDARD MICROCIRCUIT DRAWING DEFENSE SUPPLY CENTER COLUMBUS COLUMBUS, OHIO 43216-5000	SIZE <b>A</b>		5962-96846
		REVISION LEVEL A	SHEET 3

### 3. REQUIREMENTS

3.1 Item requirements. The individual item requirements for device classes Q and V shall be in accordance with MIL-PRF-38535 and as specified herein or as modified in the device manufacturer's Quality Management (QM) plan. The modification in the QM plan shall not affect the form, fit, or function as described herein. The individual item requirements for device class M shall be in accordance with MIL-PRF-38535, appendix A for non-JAN class level B devices and as specified herein.

3.2 Design, construction, and physical dimensions. The design, construction, and physical dimensions shall be as specified in MIL-PRF-38535 and herein for device classes Q and V or MIL-PRF-38535, appendix A and herein for device class M.

3.2.1 Case outline. The case outline shall be in accordance with 1.2.4 herein.

3.2.2 Terminal connections. The terminal connections shall be as specified on figure 1.

3.3 Electrical performance characteristics and postirradiation parameter limits. Unless otherwise specified herein, the electrical performance characteristics and postirradiation parameter limits are as specified in table I and shall apply over the full ambient operating temperature range.

3.4 Electrical test requirements. The electrical test requirements shall be the subgroups specified in table II. The electrical tests for each subgroup are defined in table I.

3.5 Marking. The part shall be marked with the PIN listed in 1.2 herein. In addition, the manufacturer's PIN may also be marked as listed in MIL-HDBK-103. For packages where marking of the entire SMD PIN number is not feasible due to space limitations, the manufacturer has the option of not marking the "5962-" on the device. For RHA product using this option, the RHA designator shall still be marked. Marking for device classes Q and V shall be in accordance with MIL-PRF-38535. Marking for device class M shall be in accordance with MIL-PRF-38535, appendix A.

3.5.1 Certification/compliance mark. The certification mark for device classes Q and V shall be a "QML" or "Q" as required in MIL-PRF-38535. The compliance mark for device class M shall be a "C" as required in MIL-PRF-38535, appendix A.

3.6 Certificate of compliance. For device classes Q and V, a certificate of compliance shall be required from a QML-38535 listed manufacturer in order to supply to the requirements of this drawing (see 6.6.1 herein). For device class M, a certificate of compliance shall be required from a manufacturer in order to be listed as an approved source of supply in MIL-HDBK-103 (see 6.6.2 herein). The certificate of compliance submitted to DSCC-VA prior to listing as an approved source of supply for this drawing shall affirm that the manufacturer's product meets, for device classes Q and V, the requirements of MIL-PRF-38535 and herein or for device class M, the requirements of MIL-PRF-38535, appendix A and herein.

3.7 Certificate of conformance. A certificate of conformance as required for device classes Q and V in MIL-PRF-38535 or for device class M in MIL-PRF-38535, appendix A shall be provided with each lot of microcircuits delivered to this drawing.

3.8 Notification of change for device class M. For device class M, notification to DSCC-VA of change of product (see 6.2 herein) involving devices acquired to this drawing is required for any change as defined in MIL-STD-973.

3.9 Verification and review for device class M. For device class M, DSCC, DSCC's agent, and the acquiring activity retain the option to review the manufacturer's facility and applicable required documentation. Offshore documentation shall be made available onshore at the option of the reviewer.

3.10 Microcircuit group assignment for device class M. Device class M devices covered by this drawing shall be in microcircuit group number 81 (see MIL-PRF-38535, appendix A).

STANDARD MICROCIRCUIT DRAWING DEFENSE SUPPLY CENTER COLUMBUS COLUMBUS, OHIO 43216-5000	SIZE A		5962-96846
		REVISION LEVEL A	SHEET 4

TABLE I. Electrical performance characteristics.

Test	Symbol	Conditions 1/ -55°C# T <sub>A</sub> # +125°C unless otherwise specified	Group A subgroups	Device type	Limits		Unit
					Min	Max	
Signal to noise ratio + distortion ratio	SNR	f <sub>IN</sub> = 100 kHz, f <sub>SAMPLE</sub> = 500 kpsps	1, 2, 3	01	70		dB
Total harmonic distortion	THD		1, 2, 3	01		-78	dB
Peak harmonic or spurious distortion	PHD		1, 2, 3	01		-79	dB
Intermodulation distortion	IMD	f <sub>s</sub> = 49 kHz, f <sub>b</sub> = 50 kHz	1, 2, 3	01		-78	dB
Resolution	RES		1, 2, 3	01		12	Bits
Minimum resolution for which no codes are guaranteed	RES <sub>MIN</sub>		1, 2, 3	01		12	Bits
Relative accuracy	RA		1, 2, 3	01		±1	LSB
Differential nonlinearity	DNL		1, 2, 3	01		±1	LSB
Positive and negative full- scale error	FSE		1, 2, 3	01		±5	LSB
Bipolar zero error	BZE		1, 2, 3	01		±3	LSB
Input voltage range	V <sub>IN</sub>	Input applied to V <sub>IN1</sub> with V <sub>IN2</sub> grounded	1, 2, 3	01		±10	V
Input resistance	R <sub>IN</sub>	Input applied to V <sub>IN1</sub> with V <sub>IN2</sub> grounded	1, 2, 3	01	8		kΩ
REF IN input voltage range	V <sub>REFIN</sub>	See 4.4.1c	4	01	2.38	2.625	V
Input impedance	R <sub>REF</sub>	Resistor connected to internal reference node	1, 2, 3	01	1.6		kΩ
Reference input capacitance	C <sub>RIN</sub>	See 4.4.1c	4	01		10	pF
REF OUT error	V <sub>RE</sub>		1	01		±10	mV
			2, 3			±25	
Input high voltage	V <sub>INH</sub>	V <sub>DD</sub> = 5 V ±5%	1, 2, 3	01	2.4		V
Input low voltage	V <sub>INL</sub>	V <sub>DD</sub> = 5 V ±5%	1, 2, 3	01		0.8	V
Input current	I <sub>IN</sub>	V <sub>IN</sub> = 0 V to V <sub>DD</sub>	1, 2, 3	01		±10	μA
Input capacitance	C <sub>IN</sub>	See 4.4.1c	4	01		10	pF
Output high voltage	V <sub>OH</sub>	I <sub>SOURCE</sub> = 200 μA	1, 2, 3	01	4		V
Output low voltage	V <sub>OL</sub>	I <sub>SINK</sub> = 1.6 mA	1, 2, 3	01		0.4	V

See footnotes at end of table.

STANDARD MICROCIRCUIT DRAWING DEFENSE SUPPLY CENTER COLUMBUS COLUMBUS, OHIO 43216-5000	SIZE <b>A</b>		5962-96846
		REVISION LEVEL A	SHEET 5

TABLE I. Electrical performance characteristics - continued.

Test	Symbol	Conditions 1/ -55°C# T <sub>A</sub> # +125°C unless otherwise specified	Group A subgroups	Device type	Limits		Unit
					Min	Max	
Floating state capacitance	C <sub>FS</sub>	DB11 - DB0, see 4.4.1c	4	01		15	pF
Floating state leakage current	I <sub>LKG</sub>	DB11 - DB0	1, 2, 3	01		±10	μA
Power supply current	I <sub>DD</sub>	normal operation	1, 2, 3	01		19	mA
Power dissipation	P <sub>D</sub>	normal operation	1, 2, 3	01		95	mW
Conversion time	t <sub>CONV</sub>	2/, see figure 2	1, 2, 3	01		1.68	μs
Acquisition time	t <sub>ACQ</sub>	2/, see figure 2, see 4.4.1c	9, 10, 11	01	320		ns
CONVST pulse width	t <sub>1</sub>	2/, see figure 2, see 4.4.1c	9, 10, 11	01	45		ns
EOC pulse width	t <sub>2</sub>	2/, see figure 2, see 4.4.1c	9, 10, 11	01	60		ns
EOC falling edge to CS falling edge setup time	t <sub>3</sub>	2/, see figure 2, see 4.4.1c	9, 10, 11	01	0		ns
CS to RD setup time	t <sub>4</sub>	2/, see figure 2, see 4.4.1c	9, 10, 11	01	0		ns
Read pulse width	t <sub>5</sub>	2/, see figure 2, see 4.4.1c	9, 10, 11	01	45		ns
Data access time after falling edge of RD	t <sub>6</sub>	2/, 3/, see figure 2, see 4.4.1c	9, 10, 11	01		40	ns
Bus relinquish time after rising edge of RD	t <sub>7</sub>	2/, 4/, see figure 2, see 4.4.1c	9, 10, 11	01	5	40	ns
CS to RD hold time	t <sub>8</sub>	2/, see figure 2, see 4.4.1c	9, 10, 11	01	0		ns
RD to CONVST setup time	t <sub>9</sub>	2/, see figure 2, see 4.4.1c	9, 10, 11	01	200		ns
RFS low to SCLK falling edge setup time	t <sub>10</sub>	2/, see figure 2, see 4.4.1c	9, 10, 11	01	35		ns
RFS low to data valid delay	t <sub>11</sub>	2/, 3/, see figure 2, see 4.4.1c	9, 10, 11	01		30	ns
SCLK high pulse width	t <sub>12</sub>	2/, see figure 2, see 4.4.1c	9, 10, 11	01	25		ns
SCLK low pulse width	t <sub>13</sub>	2/, see figure 2, see 4.4.1c	9, 10, 11	01	25		ns
SCLK rising edge to data valid hold time	t <sub>14</sub>	2/, 3/, see figure 2, see 4.4.1c	9, 10, 11	01	5		ns
SCLK rising edge to data valid delay time	t <sub>15</sub>	2/, 3/, see figure 2, see 4.4.1c	9, 10, 11	01		30	ns
RFS to SCLK falling edge hold time	t <sub>16</sub>	2/, see figure 2, see 4.4.1c	9, 10, 11	01	30		ns

See footnotes at end of table.

STANDARD MICROCIRCUIT DRAWING DEFENSE SUPPLY CENTER COLUMBUS COLUMBUS, OHIO 43216-5000	SIZE <b>A</b>		5962-96846
		REVISION LEVEL A	SHEET 6

DESC FORM 193A  
JUL 94

TABLE I. Electrical performance characteristics - continued.

Test	Symbol	Conditions <sup>1/</sup> -55°C# T <sub>A</sub> # +125°C unless otherwise specified	Group A subgroups	Device type	Limits		Unit
					Min	Max	
Bus relinquish time after rising edge of RFS	t <sub>17</sub>	<sup>2/</sup> , <sup>4/</sup> , see figure 2, see 4.4.1c	9, 10, 11	01	0	30	ns
Bus relinquish time after rising edge of SCLK	t <sub>17A</sub>	<sup>2/</sup> , <sup>4/</sup> , see figure 2, see 4.4.1c	9, 10, 11	01	0	30	ns

<sup>1/</sup> V<sub>DD</sub> = +5 V ± 5%, AGND = DGND = 0 V, REF IN = +2.5 V.

<sup>2/</sup> All input signals are measured with tr = tf = 1 ns (10% to 90% of +5 V) and timed from a voltage level of +1.6 V.

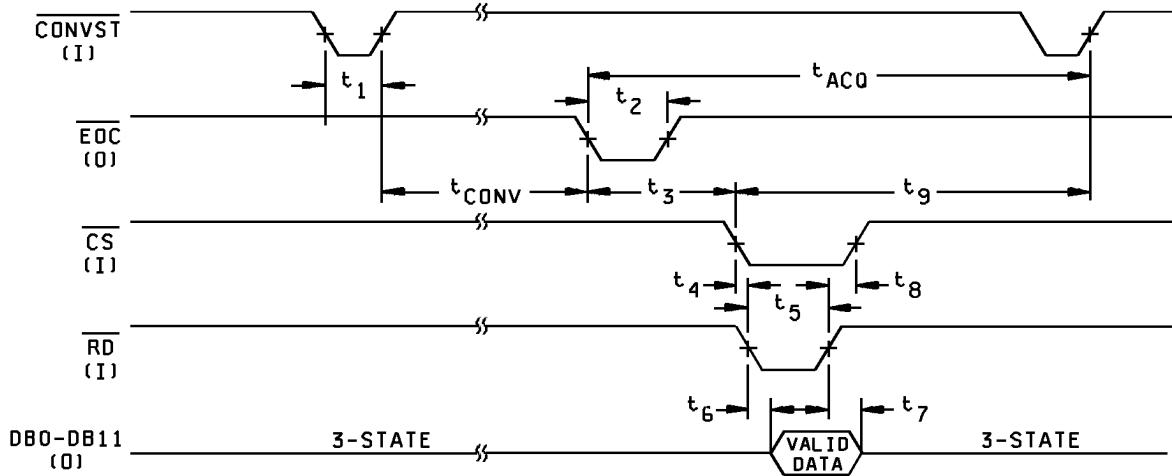
<sup>3/</sup> Defined as the time required for an output to cross 0.8 V or 2.4 V.

<sup>4/</sup> These times are derived from the measured time taken by the data outputs to change 0.5 V. The measured number is then extrapolated back to remove the effects of charging or discharging the 50 pF capacitor. Therefore these timing characteristics are the true bus relinquish times and as such are independent of external bus loading capacitances.

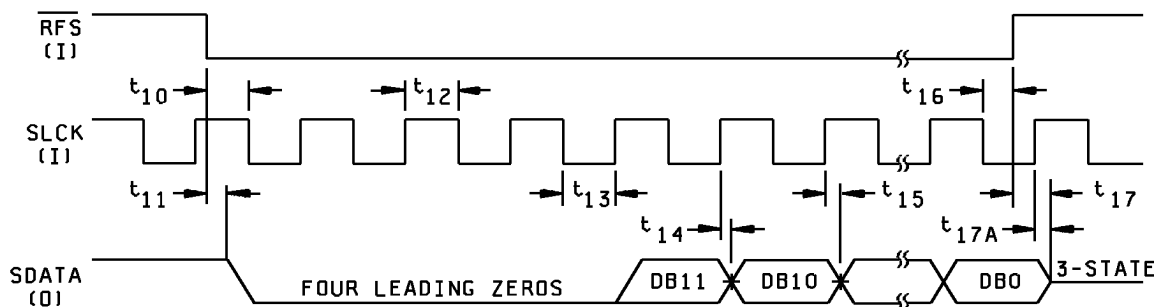
Device type	01
Case outline	J, L
Terminal number	Terminal symbol
1	V <sub>DD</sub>
2	<del>STANDBY</del>
3	V <sub>IN2</sub>
4	V <sub>IN1</sub>
5	REF OUT/REF IN
6	AGND
7	MODE
8	DB11/LOW
9	DB10/LOW
10	DB9
11	DB8
12	DB7
13	DB6
14	DGND
15	DB5/SDATA
16	DB4/CSCLK
17	DB3/RFS
18	DB2
19	DB1
20	DB0(LSB)
21	<del>RD</del>
22	<del>CS</del>
23	<del>EOC</del>
24	<del>CONVST</del>

FIGURE 1. Terminal connections.

STANDARD MICROCIRCUIT DRAWING DEFENSE SUPPLY CENTER COLUMBUS COLUMBUS, OHIO 43216-5000	SIZE <b>A</b>		5962-96846
		REVISION LEVEL <b>A</b>	SHEET <b>7</b>



PARALLEL MODE TIMING DIAGRAM



SERIAL MODE TIMING DIAGRAM

FIGURE 2. Timing waveforms.

STANDARD MICROCIRCUIT DRAWING DEFENSE SUPPLY CENTER COLUMBUS COLUMBUS, OHIO 43216-5000	SIZE A		5962-96846
		REVISION LEVEL A	SHEET 8

DESC FORM 193A  
JUL 94



4. QUALITY ASSURANCE PROVISIONS

4.1 Sampling and inspection. For device classes Q and V, sampling and inspection procedures shall be in accordance with MIL-PRF-38535 or as modified in the device manufacturer's Quality Management (QM) plan. The modification in the QM plan shall not affect the form, fit, or function as described herein. For device class M, sampling and inspection procedures shall be in accordance with MIL-PRF-38535, appendix A.

4.2 Screening. For device classes Q and V, screening shall be in accordance with MIL-PRF-38535, and shall be conducted on all devices prior to qualification and technology conformance inspection. For device class M, screening shall be in accordance with method 5004 of MIL-STD-883, and shall be conducted on all devices prior to quality conformance inspection.

4.2.1 Additional criteria for device class M.

- a. Burn-in test, method 1015 of MIL-STD-883.
  - (1) Test condition A, B, C, or D. The test circuit shall be maintained by the manufacturer under document revision level control and shall be made available to the preparing or acquiring activity upon request. The test circuit shall specify the inputs, outputs, biases, and power dissipation, as applicable, in accordance with the intent specified in test method 1015.
  - (2)  $T_A = +125^\circ C$ , minimum.
- b. Interim and final electrical test parameters shall be as specified in table II herein.

4.2.2 Additional criteria for device classes Q and V.

- a. The burn-in test duration, test condition and test temperature, or approved alternatives shall be as specified in the device manufacturer's QM plan in accordance with MIL-PRF-38535. The burn-in test circuit shall be maintained under document revision level control of the device manufacturer's Technology Review Board (TRB) in accordance with MIL-PRF-38535 and shall be made available to the acquiring or preparing activity upon request. The test circuit shall specify the inputs, outputs, biases, and power dissipation, as applicable, in accordance with the intent specified in test method 1015 of MIL-STD-883.
- b. Interim and final electrical test parameters shall be as specified in table II herein.
- c. Additional screening for device class V beyond the requirements of device class Q shall be as specified in MIL-PRF-38535, appendix B.

4.3 Qualification inspection for device classes Q and V. Qualification inspection for device classes Q and V shall be in accordance with MIL-PRF-38535. Inspections to be performed shall be those specified in MIL-PRF-38535 and herein for groups A, B, C, D, and E inspections (see 4.4.1 through 4.4.4).

4.4 Conformance inspection. Technology conformance inspection for classes Q and V shall be in accordance with MIL-PRF-38535 including groups A, B, C, D, and E inspections and as specified herein except where option 2 of MIL-PRF-38535 permits alternate in-line control testing. Quality conformance inspection for device class M shall be in accordance with MIL-PRF-38535, appendix A and as specified herein. Inspections to be performed for device class M shall be those specified in method 5005 of MIL-STD-883 and herein for groups A, B, C, D, and E inspections (see 4.4.1 through 4.4.4).

4.4.1 Group A inspection.

- a. Tests shall be as specified in table II herein.
- b. Subgroups 5, 6, 7, and 8 in table I, method 5005 of MIL-STD-883 shall be omitted.
- c. Subgroups 4, 9, 10, and 11 shall be measured only for the initial test and after process or design changes that may effect these parameters and shall be guaranteed to the limits specified in table I.

4.4.2 Group C inspection. The group C inspection end-point electrical parameters shall be as specified in table II herein.

STANDARD MICROCIRCUIT DRAWING DEFENSE SUPPLY CENTER COLUMBUS COLUMBUS, OHIO 43216-5000	SIZE <b>A</b>		5962-96846
		REVISION LEVEL A	SHEET 9

TABLE II. Electrical test requirements.

Test requirements	Subgroups (in accordance with MIL-STD-883, method 5005, table I)	Subgroups (in accordance with MIL-PRF-38535, table III)	
	Device class M	Device class Q	Device class V
Interim electrical parameters (see 4.2)	1, 2, 3	1, 2, 3	1, 2, 3
Final electrical parameters (see 4.2)	<u>1/</u> 1, 2, 3, 4, 9, 10, 11	<u>1/</u> 1, 2, 3, 4, 9, 10, 11	<u>1/</u> 1, 2, 3, 4, 1, 10, 11
Group A test requirements (see 4.4)	1, 2, 3, 4, 9, 10, 11	1, 2, 3, 4, 9, 10, 11	1, 2, 3, 4, 9, 10, 11
Group C end-point electrical parameters (see 4.4)	1	1	1
Group D end-point electrical parameters (see 4.4)	1	1	1
Group E end-point electrical parameters (see 4.4)	---	---	---

1/ PDA applies to subgroup 1.

4.4.2.1 Additional criteria for device class M. Steady-state life test conditions, method 1005 of MIL-STD-883:

- a. Test condition A, B, C or D. The test circuit shall be maintained by the manufacturer under document revision level control and shall be made available to the preparing or acquiring activity upon request. The test circuit shall specify the inputs, outputs, biases, and power dissipation, as applicable, in accordance with the intent specified in test method 1005 of MIL-STD-883.
- b.  $T_A = +125^\circ\text{C}$ , minimum.
- c. Test duration: 1,000 hours, except as permitted by method 1005 of MIL-STD-883.

4.4.2.2 Additional criteria for device classes Q and V. The steady-state life test duration, test condition and test temperature, or approved alternatives shall be as specified in the device manufacturer's QM plan in accordance with MIL-PRF-38535. The test circuit shall be maintained under document revision level control by the device manufacturer's TRB in accordance with MIL-PRF-38535 and shall be made available to the acquiring or preparing activity upon request. The test circuit shall specify the inputs, outputs, biases, and power dissipation, as applicable, in accordance with the intent specified in test method 1005 of MIL-STD-883.

4.4.3 Group D inspection. The group D inspection end-point electrical parameters shall be as specified in table II herein.

4.4.4 Group E inspection. Group E inspection is required only for parts intended to be marked as radiation hardness assured (see 3.5 herein).

- a. End-point electrical parameters shall be as specified in table II herein.
- b. For device classes Q and V, the devices or test vehicle shall be subjected to radiation hardness assured tests as specified in MIL-PRF-38535 for the RHA level being tested. For device class M, the devices shall be subjected to radiation hardness assured tests as specified in MIL-PRF-38535, appendix A for the RHA level being tested. All device classes must meet the postirradiation end-point electrical parameter limits as defined in table I at  $T_A = +25^\circ\text{C} \pm 5^\circ\text{C}$ , after exposure, to the subgroups specified in table II herein.
- c. When specified in the purchase order or contract, a copy of the RHA delta limits shall be supplied.

STANDARD MICROCIRCUIT DRAWING DEFENSE SUPPLY CENTER COLUMBUS COLUMBUS, OHIO 43216-5000	SIZE <b>A</b>		5962-96846
		REVISION LEVEL A	SHEET 10

5. PACKAGING

5.1 Packaging requirements. The requirements for packaging shall be in accordance with MIL-PRF-38535 for device classes Q and V or MIL-PRF-38535, appendix A for device class M.

6. NOTES

6.1 Intended use. Microcircuits conforming to this drawing are intended for use for Government microcircuit applications (original equipment), design applications, and logistics purposes.

6.1.1 Replaceability. Microcircuits covered by this drawing will replace the same generic device covered by a contractor-prepared specification or drawing.

6.1.2 Substitutability. Device class Q devices will replace device class M devices.

6.2 Configuration control of SMD's. All proposed changes to existing SMD's will be coordinated with the users of record for the individual documents. This coordination will be accomplished in accordance with MIL-STD-973 using DD Form 1692, Engineering Change Proposal.

6.3 Record of users. Military and industrial users should inform Defense Supply Center Columbus when a system application requires configuration control and which SMD's are applicable to that system. DSCC will maintain a record of users and this list will be used for coordination and distribution of changes to the drawings. Users of drawings covering microelectronic devices (FSC 5962) should contact DSCC-VA, telephone (614) 692-0525.

6.4 Comments. Comments on this drawing should be directed to DSCC-VA, Columbus, Ohio 43216-5000, or telephone (614) 692-0674.

6.5 Abbreviations, symbols, and definitions. The abbreviations, symbols, and definitions used herein are defined in MIL-PRF-38535 and MIL-HDBK-1331.

6.6 Sources of supply.

6.6.1 Sources of supply for device classes Q and V. Sources of supply for device classes Q and V are listed in QML-38535. The vendors listed in QML-38535 have submitted a certificate of compliance (see 3.6 herein) to DSCC-VA and have agreed to this drawing.

6.6.2 Approved sources of supply for device class M. Approved sources of supply for class M are listed in MIL-HDBK-103. The vendors listed in MIL-HDBK-103 have agreed to this drawing and a certificate of compliance (see 3.6 herein) has been submitted to and accepted by DSCC-VA.

STANDARD MICROCIRCUIT DRAWING DEFENSE SUPPLY CENTER COLUMBUS COLUMBUS, OHIO 43216-5000	SIZE <b>A</b>		5962-96846
		REVISION LEVEL A	SHEET 11

STANDARD MICROCIRCUIT DRAWING BULLETIN

DATE: 99-09-01

Approved sources of supply for SMD 5962-96846 are listed below for immediate acquisition information only and shall be added to MIL-HDBK-103 and QML-38535 during the next revision. MIL-HDBK-103 and QML-38535 will be revised to include the addition or deletion of sources. The vendors listed below have agreed to this drawing and a certificate of compliance has been submitted to and accepted by DSCC-VA. This bulletin is superseded by the next dated revision of MIL-HDBK-103 and QML-38535.

Standard microcircuit drawing PIN <u>1</u> /	Vendor CAGE number	Vendor similar PIN <u>2</u> /
5962-9684601QJA	<u>3</u> /	AD7892SQ-1/QML
5962-9684601QLA	24355	AD7892SQ-1/QML

- 1/ The lead finish shown for each PIN representing a hermetic package is the most readily available from the manufacturer listed for that part. If the desired lead finish is not listed contact the vendor to determine its availability.
- 2/ Caution. Do not use this number for item acquisition. Items acquired to this number may not satisfy the performance requirements of this drawing.
- 3/ Not available from an approved source.

Vendor CAGE  
number

24355

Vendor name  
and address

Analog Devices  
804 Woburn Street  
Wilmington, MA 01887-3462

The information contained herein is disseminated for convenience only and the Government assumes no liability whatsoever for any inaccuracies in the information bulletin.