

IT136-IT139

Monolithic Dual PNP

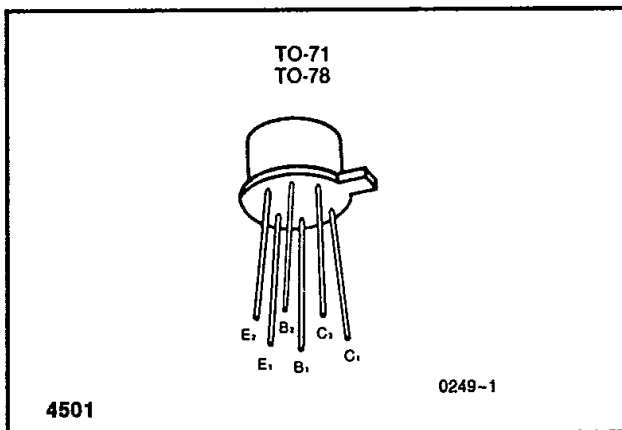
General Purpose Amplifier



FEATURES

- High Gain at Low Current
- Low Output Capacitance
- Tight I_B Match
- Tight V_{BE} Tracking
- Dielectrically Isolated Matched Pairs for Differential Amplifiers

PIN CONFIGURATION



ABSOLUTE MAXIMUM RATINGS

($T_A = 25^\circ\text{C}$ unless otherwise noted)

Collector-Base Voltage (Note 1)	
IT136, IT137	60V
IT138	55V
IT139	45V
Collector-Emitter Voltage (Note 1)	
IT136, IT137	60V
IT138	55V
IT139	45V
Emitter Base Voltage (Notes 1 and 2)	7V
Collector Current (Note 1)	100mA
Collector-Collector Voltage	70V
Storage Temperature Range	-65°C to $+175^\circ\text{C}$
Operating Temperature Range	-55°C to $+175^\circ\text{C}$
Lead Temperature (Soldering, 10sec)	$+300^\circ\text{C}$

	TO-71		TO-78	
	One Side	Both Sides	One Side	Both Sides
Power Dissipation ...	200mW	400mW	250mW	500mW
Derate above 25°C ...	$1.3\text{mW}/^\circ\text{C}$	$2.7\text{mW}/^\circ\text{C}$	$1.7\text{mW}/^\circ\text{C}$	$3.3\text{mW}/^\circ\text{C}$

NOTE: Stresses above those listed under "Absolute Maximum Ratings" may cause permanent damage to the device. These are stress ratings only and functional operation of the device at these or any other conditions above those indicated in the operational sections of the specifications is not implied. Exposure to absolute maximum rating conditions for extended periods may affect device reliability.

ORDERING INFORMATION

TO-78	TO-71
IT136	IT136-TO71
IT137	IT137-TO71
IT138	IT138-TO71
IT139	IT139-TO71

ELECTRICAL CHARACTERISTICS ($T_A = 25^\circ\text{C}$ unless otherwise specified)

Symbol	Parameter	Test Conditions	IT136		IT137		IT138		IT139		Units
			Min	Max	Min	Max	Min	Max	Min	Max	
h_{FE}	DC Current Gain	$I_C = 10\mu\text{A}, V_{CE} = 5\text{V}$	150		150		100		70		
		$I_C = 1.0\text{mA}, V_{CE} = 5\text{V}$	150	800	150	800	100	800	70	800	
		$I_C = 10\text{mA}, V_{CE} = 5\text{V}$	125		125		80		50		
		$I_C = 50\text{mA}, V_{CE} = 5\text{V}$	65		60		40		25		
		$I_C = 1\text{mA}, V_{CE} = 5\text{V}$ $T_A = 55^\circ\text{C}$	75		75		60		40		
$V_{BE(on)}$	Emitter-Base On Voltage	$I_C = 10\text{mA}, V_{CE} = 5\text{V}$.9		.9		.9		.9	V
		$I_C = 50\text{mA}, V_{CE} = 5\text{V}$		1.0		1.0		1.0		1.0	
$V_{CE(sat)}$	Collector Saturation Voltage	$I_C = 1\text{mA}, I_B = .1\text{mA}$.3		.3		.3		.3	
		$I_C = 10\text{mA}, I_B = 1\text{mA}$.6		.6		.6		.6	

INTERMIL'S SOLE AND EXCLUSIVE WARRANTY OBLIGATION WITH RESPECT TO THIS PRODUCT SHALL BE THAT STATED IN THE WARRANTY ARTICLE OF THE CONDITION OF SALE. THE WARRANTY SHALL BE EXCLUSIVE AND SHALL BE IN LIEU OF ALL OTHER WARRANTIES, EXPRESS, IMPLIED OR STATUTORY, INCLUDING THE IMPLIED WARRANTIES OF MERCHANTABILITY AND FITNESS FOR A PARTICULAR USE.

NOTE: All typical values have been characterized but are not tested.

ELECTRICAL CHARACTERISTICS (Continued) ($T_A = 25^\circ\text{C}$ unless otherwise specified)

Symbol	Parameter	Test Conditions	IT136		IT137		IT138		IT139		Units
			Min	Max	Min	Max	Min	Max	Min	Max	
I_{CBO}	Collector Cutoff Current	$I_E = 0, V_{CB} = 45V, V_{CD} = 30V^* \text{ (IT139)}, T_A = +150^\circ\text{C}$		0.1		0.1		0.1		0.1*	nA
				0.1		0.1		0.1		0.1*	μA
I_{EBO}	Emitter Cutoff Current	$I_C = 0, V_{EB} = 5V$		0.1		0.1		0.1		0.1	nA
C_{obo}	Output Capacitance (Note 3)	$I_E = 0, V_{CB} = 20V, f = 1\text{MHz}$		3		3		3		3	pF
$BV_{C_1C_2}$	Collector to Collector Breakdown Voltage	$I_C = \pm 1\mu\text{A}$	± 100		± 100		± 100		± 100		V
$V_{CEO(sust)}$	Collector to Emitter Sustaining Voltage	$I_C = 1\text{mA}, I_B = 0$	60		60		55		45		
BV_{CBO}	Collector Base Breakdown Voltage	$I_C = 10\mu\text{A}, I_E = 0$	60		60		55		45		
BV_{EBO}	Emitter Base Breakdown Voltage	$I_E = 10\mu\text{A}, I_C = 0$	7		7		7		7		
$ V_{BE_1} - V_{BE_2} $	Base Emitter Voltage Differential	$I_C = 1\text{mA}, V_{CE} = 5V$		1		2		3		5	mV
$\frac{\Delta V_{BE_1} - V_{BE_2} }{\Delta T}$	Base Emitter Voltage Differential Change with Temperature (Note 3)	$I_C = 1\text{mA}, V_{CE} = 5V, T_A = -55^\circ\text{C} \text{ to } +125^\circ\text{C}$		3		5		10		20	$\mu\text{V}/^\circ\text{C}$
$ I_{B_1} - I_{B_2} $	Base Current Differential	$I_C = 10\mu\text{A}, V_{CE} = 5V$		2.5		5		10		20	nA
		$I_C = 1\text{mA}, V_{CE} = 5V$.25		.5		1.0		2.0	μA

NOTES: 1. Per transistor.

2. The reverse base-to-emitter voltage must never exceed 7.0 volts and the reverse base-to-emitter current must never exceed $10\mu\text{A}$.

3. For design reference only, not 100% tested.

INTERNATIONAL'S SOLE AND EXCLUSIVE WARRANTY OBLIGATION WITH RESPECT TO THIS PRODUCT SHALL BE THAT STATED IN THE WARRANTY ARTICLE OF THE CONDITION OF SALE. THE WARRANTY SHALL BE EXCLUSIVE AND SHALL BE IN LIEU OF ALL OTHER WARRANTIES, EXPRESS, IMPLIED OR STATUTORY, INCLUDING THE IMPLIED WARRANTIES OF MERCHANTABILITY AND FITNESS FOR A PARTICULAR USE.

NOTE: All typical values have been characterized but are not tested.