

PLEASE CHECK WWW.MOLEX.COM FOR LATEST PART INFORMATION

Part Number: [0855055014](#)
Status: **Active**
Overview: [modular_plugs_jacks](#)
Description: Modular Jack, Right Angle, Low Profile, Shielded, 8/8, Cat5e, With Shield Spring, Tube

Documents:

[3D Model](#) [Product Specification PS-85505-101 \(PDF\)](#)
[Drawing \(PDF\)](#) [RoHS Certificate of Compliance \(PDF\)](#)
[Application Specification \(PDF\)](#)

Agency Certification

UL E107635

General

Product Family	Modular Jacks/Plugs
Series	85505
Comments	External Shield
Component Type	PCB Jack
Magnetic	No
Overview	modular_plugs_jacks
Performance Category	5e
Power over Ethernet (PoE)	N/A
Product Name	RJ45

Physical	
Color - Resin	Black
Durability (mating cycles max)	500
Flammability	94V-0
Inverted / Top Latch	No
Lightpipes/LEDs	None
Material - Metal	Brass, Phosphor Bronze
Material - Plating Mating	Gold
Material - Plating Termination	Tin
Material - Resin	High Temperature Thermoplastic
Orientation	Right Angle (Side Entry)
PCB Locator	Yes
PCB Retention	Yes
PCB Thickness Recommended (in)	0.062 In
PCB Thickness Recommended (mm)	1.57 mm
Packaging Type	Tube
Pitch - Mating Interface (in)	0.040 In
Pitch - Mating Interface (mm)	1.02 mm
Pitch - Term. Interface (in)	0.050 In
Pitch - Term. Interface (mm)	1.27 mm
Plating min: Mating (µin)	50.8
Plating min: Mating (µm)	1.27
Plating min: Termination (µin)	76
Plating min: Termination (µm)	1.9
Ports	1
Positions / Loaded Contacts	8/8
Surface Mount Compatible (SMC)	No
Temperature Range - Operating	-40°C to +80°C
Termination Interface: Style	Through Hole
Waterproof / Dustproof	No
Wire/Cable Type	N/A

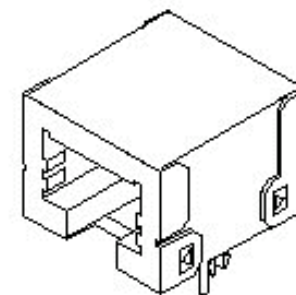


image - Reference only

Series

EU RoHS

**ELV and RoHS
Compliant**
REACH SVHC
 Not Reviewed
**Halogen-Free
Status**

China RoHS



**Need more information on product
environmental compliance?**

Email productcompliance@molex.com
 For a multiple part number RoHS Certificate of
 Compliance, [click here](#)

Please visit the [Contact Us](#) section for any
 non-product compliance questions.

Search Parts in this Series

[85505Series](#)

Mates With

FCC 68 Plugs

Electrical

Current - Maximum per Contact	1.5A
Grounding to PCB	No
Shielded	Yes
Voltage - Maximum	125V

Material Info**Reference - Drawing Numbers**

Product Specification	PS-85505-101
Sales Drawing	SD-85505-107

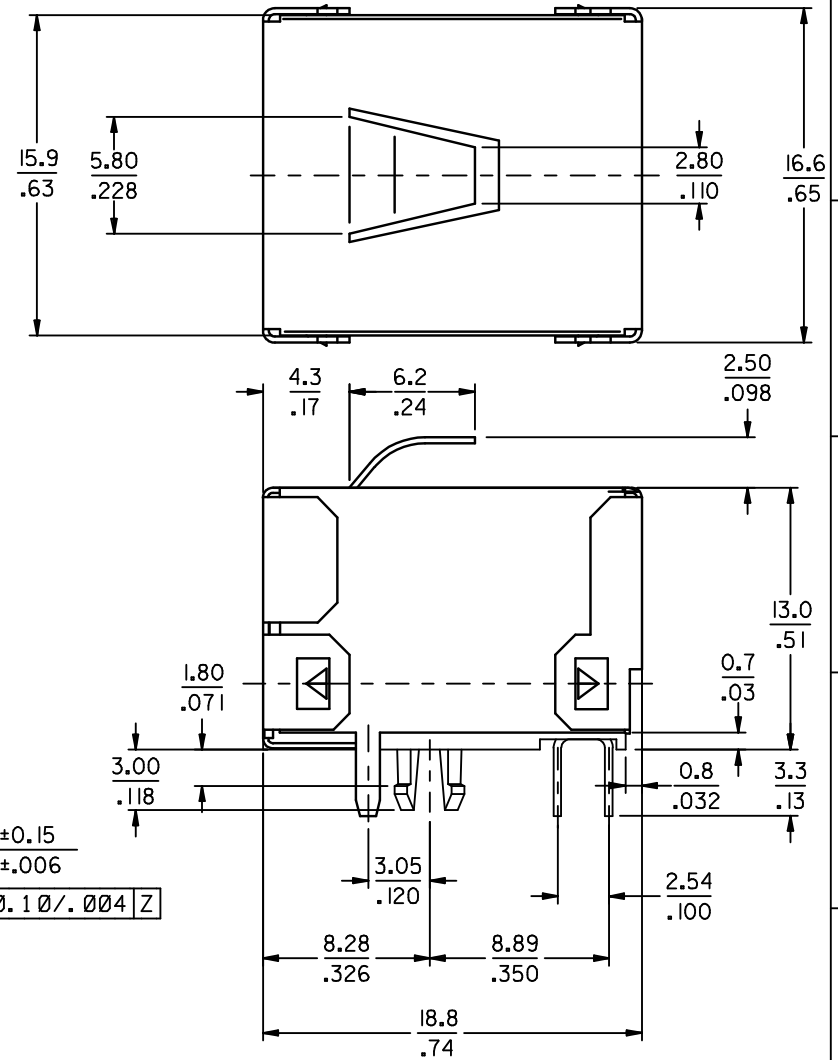
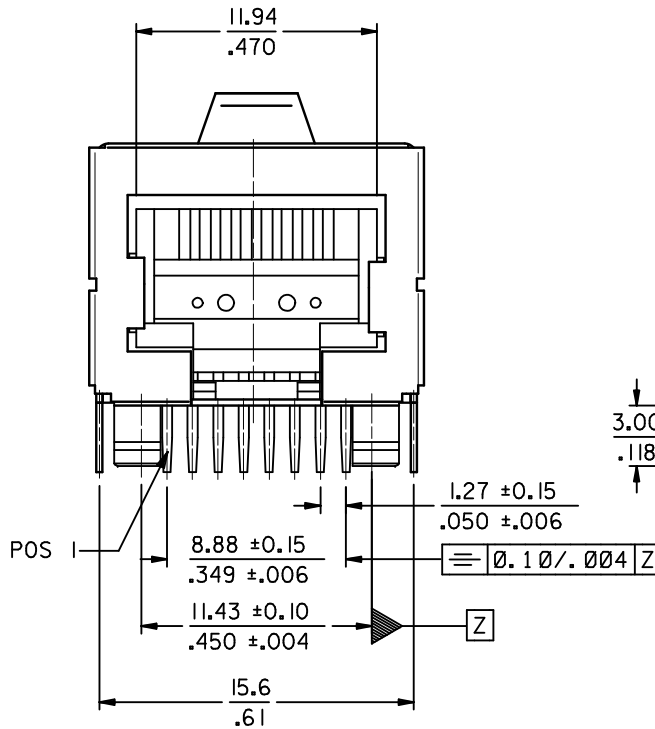
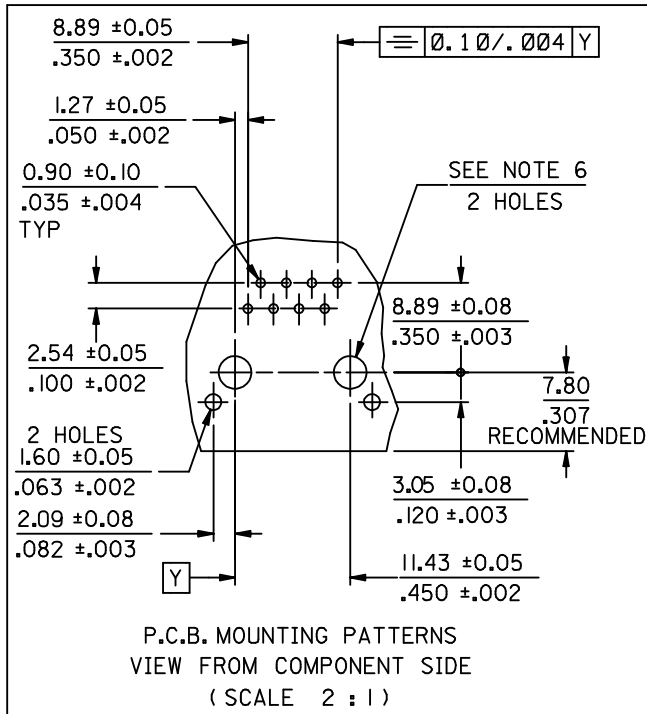
This document was generated on 06/07/2010

PLEASE CHECK WWW.MOLEX.COM FOR LATEST PART INFORMATION

TECHNICAL SPECIFICATIONS:

I- MATERIAL :

HOUSING: L C P GLASS FILLED UL94V-0 COLOR BLACK
 TERMINAL : PHOSPHOR BRONZE PLATED WITH :
 0.00127/.000050 MIN GOLD IN CONTACT AREA,
 0.00190/.000075 MIN PURE TIN IN TAIL AREA,
 BOTH OVER 0.00127/.000050 MIN NICKEL OVERALL
 SHIELD : BRASS PLATED WITH 0.0020/.000078 MIN TIN



NOTES:

- 1- JACK FOR MATING WITH RJ45 PLUG MOLEX 95043 AND 85568 SERIES.
- 2- PRODUCT SPECIFICATION: PS-85505-101
- 3- APPLICATION SPECIFICATION: AS-85513-001
- 4- PACKAGING SPECIFICATION: PK-95122-006
- 5- P.C. BOARD THICKNESS : 1.57/.062
- 6- CONVECTION SOLDERING DIA 3.25±0.05/.128±.002, WAVE SOLDERING DIA 3.2±0.1/.126±.004
- 7- EXCEEDS CATEGORY 5E PERFORMANCE

DIMENSION ERROR EC NO: E2010-0044 DRWN:DBYRNES 2009/07/23 CHKD: 2009/07/23 APPR: J WALLACE 2009/07/23	QUALITY SYMBOLS	GENERAL TOLERANCES (UNLESS SPECIFIED)		DIMENSION STYLE	SCALE	DESIGN UNITS	THIRD ANGLE PROJECTION
	▽=0	mm	INCH	MM/IN	1:1	METRIC	⊙ □
	∇=0	4 PLACES ± --- ± ---	3 PLACES ± --- ± 0.10	DRAWN BY	DATE	TITLE	
		2 PLACES ± 0.25 ± 0.14	1 PLACE ± 0.35 ± ---	CHECKED BY	DATE	HIGH SPEED RIGHT ANGLE FULLY SHIELDED JACK 8/8 WITH SHIELD SPRING	
	ANGULAR ± 2 °	DRAFT WHERE APPLICABLE MUST REMAIN WITHIN DIMENSIONS		APPROVED BY	DATE	MOLEX MOLEX INCORPORATED	
				MATERIAL NO.	DOCUMENT NO.	SHEET NO.	
				85505-5014	SD-85505-107	1 OF 1	
				THIS DRAWING CONTAINS INFORMATION THAT IS PROPRIETARY TO MOLEX INCORPORATED AND SHOULD NOT BE USED WITHOUT WRITTEN PERMISSION			