

T1/E1/CEPT Transformer

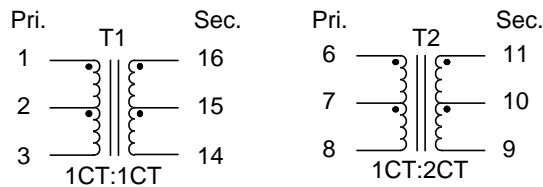
EPA3369S

- Model matched to level one LXT360 & LXT361 •
Dallas DS21352 & DS21354
- Contains both Transmit and Receive Transformer •
- 1.5 KVrms Isolation •
- Package in Tubes. Tape and Reel Optional •

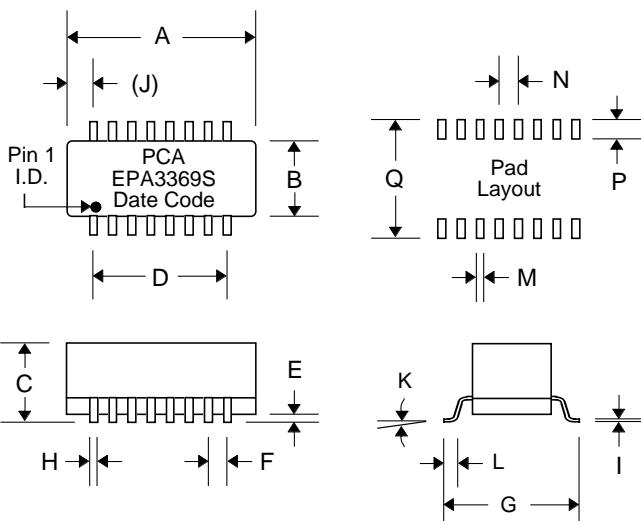
Electrical Parameters @ 25° C

Primary Inductance (mH Min.)	Leakage Inductance (μ H Max.)	Interwinding Capacitance (pF Max.)	Turns Ratio ($\pm 5\%$)		DCR (Ω Max.)	
			T1	T2		
@ 100 KHz, 0.1 Vrms	@ 100 KHz, 0.1 Vrms	@ 100 KHz, 0.1 Vrms				
1.2	0.6	30	1CT:1CT	1CT:2CT	0.70	1.00
Pins 1-3 & 6-8	Pins 1-3 & 6-8	T1 & T2			Pins 1-3, 16-14 & 6-8	Pins 11-9

Schematic



Package



Dimensions

Dim.	(Inches)			(Millimeters)		
	Min.	Max.	Nom.	Min.	Max.	Nom.
A	.480	.500	.490	12.19	12.70	12.44
B	.250	.280	.270	6.35	7.11	6.86
C	.230	.250	.240	5.84	6.35	6.10
D	---	---	.350	---	---	8.89
E	.010	.015	---	.254	.381	---
F	---	---	.050	---	---	1.27
G	.370	.390	.380	9.40	9.91	9.65
H	.018	.022	.020	.457	.559	.508
I	---	---	.010	---	---	.254
J	---	---	.070	---	---	1.78
K	0°	8°	---	0°	8°	---
L	.025	.045	.035	.635	1.14	.889
M	---	---	.030	---	---	.762
N	---	---	.050	---	---	1.27
P	---	---	.085	---	---	2.16
Q	---	---	.440	---	---	10.67