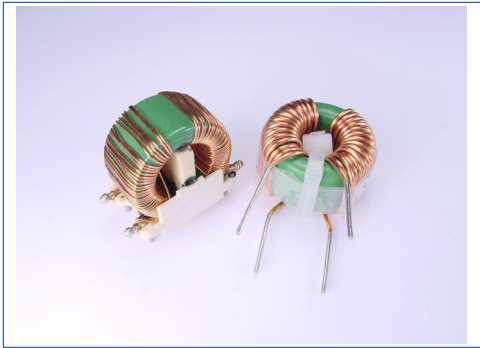


# COMMON MODE CHOKE



## P52TM16 SERIES



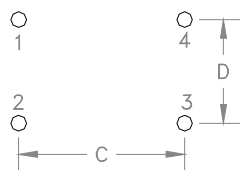
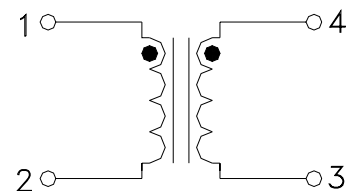
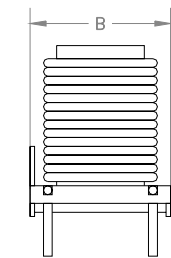
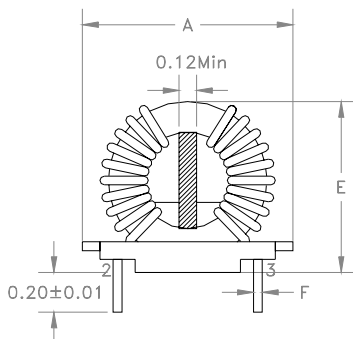
- RoHS Compliant Product
- Operating Temperature: -40°C to +85°C
- Custom design available
- Hipot: 2000V<sub>RMS</sub> (1-2 to 4-3)
- Turns Ratio: 1:1 (1-2 to 4-3)
- Inductance tested @ 1KHz, 0.1V<sub>RMS</sub> (1-2, 4-3)
- Polarity: 1 and 4 are in phase
- Polarity:  $\Delta T$  of 35°C temperature rise at rated I<sub>RMS</sub>

### ELECTRICAL SPECIFICATION @ 25°C

| PART NO  | L<br>Min<br>(mH) | RATED<br>I <sub>RMS</sub><br>(A) | DCR<br>Max<br>( $\Omega$ ) | DIM<br>A<br>Max | DIM<br>B<br>Max | DIM<br>C<br>$\pm 0.010$ " | DIM<br>D<br>$\pm 0.010$ " | DIM<br>E<br>Max | DIM<br>F<br>$\pm 0.005$ " |
|----------|------------------|----------------------------------|----------------------------|-----------------|-----------------|---------------------------|---------------------------|-----------------|---------------------------|
| P52TM16- |                  |                                  |                            |                 |                 |                           |                           |                 |                           |
| 303-2.3  | 30.0             | 2.3                              | 0.330                      | 1.35            | 0.81            | 0.900                     | 0.600                     | 1.45            | 0.050                     |
| 203-2.9  | 20.0             | 2.9                              | 0.210                      | 1.35            | 0.81            | 0.900                     | 0.600                     | 1.45            | 0.050                     |
| 123-4    | 12.0             | 4.0                              | 0.110                      | 1.35            | 0.81            | 0.900                     | 0.600                     | 1.45            | 0.050                     |
| 802-5.6  | 8.0              | 5.6                              | 0.055                      | 1.35            | 0.81            | 0.900                     | 0.600                     | 1.45            | 0.050                     |
| 502-8.9  | 5.0              | 8.9                              | 0.022                      | 1.45            | 0.81            | 0.900                     | 0.600                     | 1.50            | 0.043                     |
| 252-12.5 | 2.5              | 12.5                             | 0.011                      | 1.45            | 0.81            | 0.900                     | 0.600                     | 1.50            | 0.053                     |
| 122-16   | 1.2              | 16.0                             | 0.006                      | 1.50            | 0.81            | 0.900                     | 0.600                     | 1.53            | 0.060                     |
| 503-2.3  | 50.0             | 2.3                              | 0.450                      | 1.55            | 0.81            | 0.900                     | 0.600                     | 1.65            | 0.050                     |
| 363-2.9  | 36.0             | 2.9                              | 0.300                      | 1.55            | 0.81            | 0.900                     | 0.600                     | 1.65            | 0.050                     |
| 732-9.3  | 7.3              | 9.3                              | 0.032                      | 1.65            | 0.81            | 0.900                     | 0.600                     | 1.65            | 0.043                     |

### Mechanical

### Schematic



#### Dimensions

Unless otherwise specified, all tolerances are:  
 inch: .XX :  $\pm 0.015$  .XX :  $\pm 0.004$   
 mm: X,X :  $\pm 0,38$  X,XX :  $\pm 0,10$

Product performance is limited to specified parameter. Data is subject to change without prior notice.

P52TM16-XXX  
05471W

2463 208th, Ste. 205  
Torrance, CA 90501

Phone: (310)533-1455  
Fax: (310)533-1853

<http://www.mpsind.com>  
Email: [sales@mpsind.com](mailto:sales@mpsind.com)