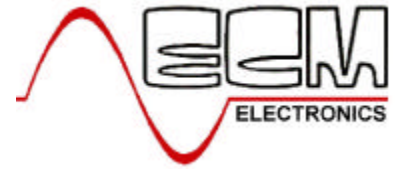
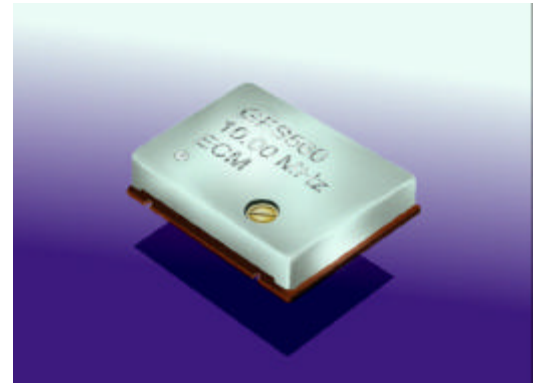


Surface Mount VCTCXO



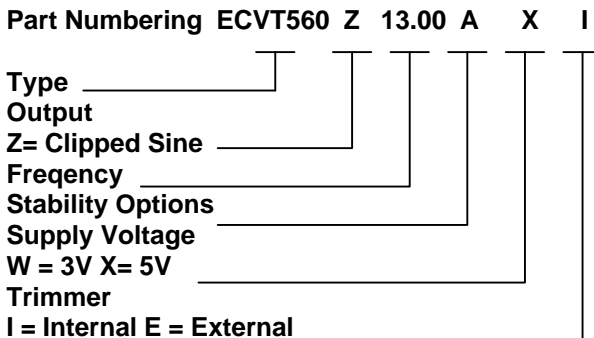
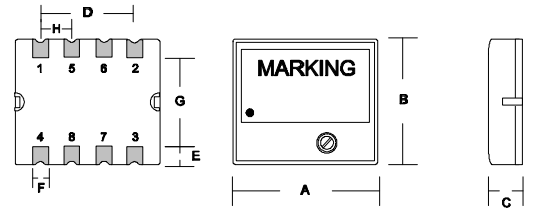
ECVT-560 Series

- Very Low Profile
- Low Current Consumption
- Excellent Stability
- 3 Volt Supply
- Custom Options



Parameter	ECVT560	Option
Frequency Range	9.60MHz to 26.0MHz	Specify
Frequency Stability	$\pm 2.5\text{ppm } -30^{\circ}\text{C to } +75^{\circ}\text{C}$ $\pm 2.5\text{ppm } -10^{\circ}\text{C to } +60^{\circ}\text{C}$ $\pm 2.0\text{ppm } -30^{\circ}\text{C to } +75^{\circ}\text{C}$ $\pm 1.5\text{ppm } -20^{\circ}\text{C to } +70^{\circ}\text{C}$ $\pm 1.0\text{ppm } -10^{\circ}\text{C to } +60^{\circ}\text{C}$	A J H G F
Storage Temp	-30° to $+85^{\circ}\text{C}$	
Frequency vs Supply	$\pm 0.3\text{ppm max}$	
Frequency vs Load	$\pm 0.3\text{ppm max}$	
Aging	$\pm 1.0\text{ppm max}$	
Supply Voltage	+3.0V and +5.0V	Specify
Supply Current	2.0mA	
Output	0.8V p-p	
Output Load	10K Ω // 10pF	
Frequency Control (Internal trimmer) (External trimmer)	$\pm 6\text{ppm min } \pm 15\text{ppm max}$	I E
Voltage Control	1.5V $\pm 1\text{V}$ (Vcc 3V) 2.5V $\pm 2\text{V}$ (Vcc 5V)	
Start-up Time	5mS max	

Environmental & Mechanical	
Humidity	$+40^{\circ}\text{C } \pm 2^{\circ}\text{C}$ 90 to 95% for 8 Hours
Thermal Shock	One Hundred cycles $-40^{\circ}\text{C to } +85^{\circ}\text{C}$ 30mins Ea
Vibration	5 to 36 Hz 1.5mm amplitude 26 to 500Hz 4g acceleration
Soldering Condition	$230^{\circ}\text{C } \pm 10^{\circ}$ for 45s max



A	B	C	D	E	F	G	H
11.4	9.6	2.5	7.62	1.3	1.0	7.00	2.54

Dimensions in mm

Pin	1	2	3	4	5 to 8
Connection	Vc	Gnd	O/P	+Vcc	Keep Floating

ECM Electronics Limited, Penmaen House, Ashington, West Sussex, RH20 3JR, UK
 Tel: +44(0)1903 892810: Fax: +44(0)1903 892738. Email: ecm@ecmelectronics.co.uk

Although we have attempted to accurately reflect the products we market. ECM reserve the right without prior notice to discontinue any product or make design changes we believe necessary. Issue 3