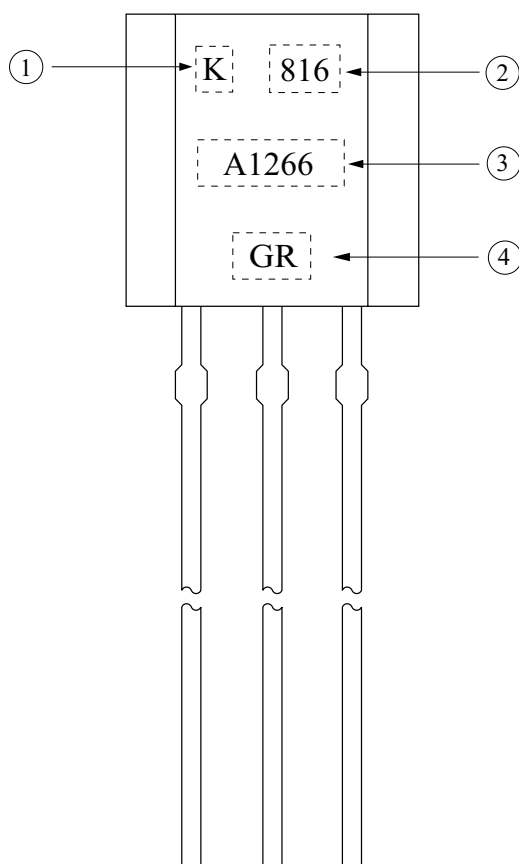


### 1. Marking method

Laser Marking

### 2. Marking



No.	Item	Marking	Description		
①	KEC	<b>K</b>	KEC CORPORATION		
②	Lot No.	<b>816</b>	8	Year	0~9 : 2000~2009
			16	Week	16 : 16th Week
③	Device Name	<b>A1266</b>	KTA1266		
④	hFE Grade	<b>GR</b>	O, Y, GR		