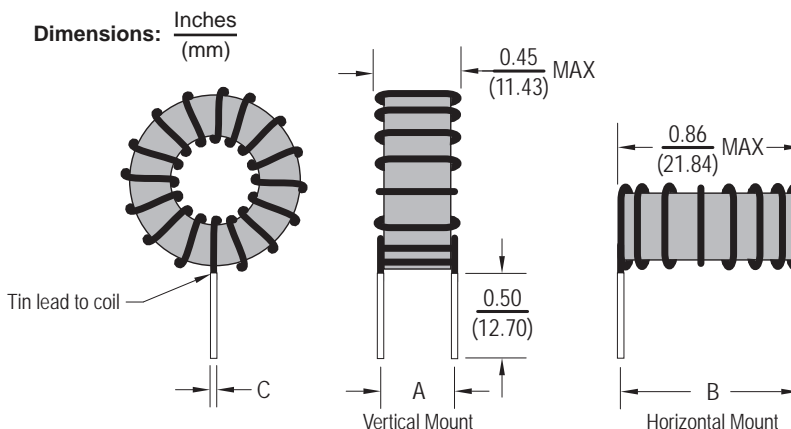
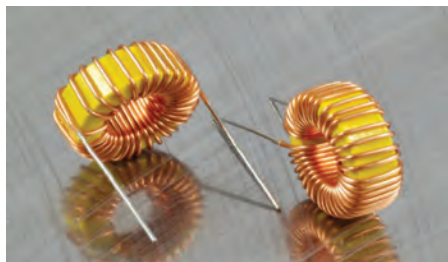




Toroidal Chokes High Temp

TC210HT



Allied Part Number	Inductance (μH) @ 1KHZ	Tolerance (%)	L(μH) @ I rated	IDC (A)	DCR (Ω) MAX	DIM A (Nom)	DIM B (Nom)	DIM C (Nom)
()TC210HT-1R0L-RC	1.0	15	0.8	21.7	.003	.34	.77	.053
()TC210HT-1R5L-RC	1.5	15	1.2	19.8	.003	.34	.77	.053
()TC210HT-2R2L-RC	2.2	15	1.8	18.3	.004	.34	.77	.053
()TC210HT-2R7L-RC	2.7	15	2.1	17.1	.004	.34	.77	.053
()TC210HT-3R3L-RC	3.3	15	2.6	16.1	.005	.34	.77	.053
()TC210HT-3R9L-RC	3.9	15	3.0	15.3	.005	.34	.77	.053
()TC210HT-4R7L-RC	4.7	15	3.5	14.9	.006	.34	.77	.053
()TC210HT-5R6L-RC	5.6	15	4.1	14.3	.006	.34	.77	.053
()TC210HT-6R8L-RC	6.8	15	4.9	13.7	.006	.34	.77	.053
()TC210HT-8R2L-RC	8.2	15	5.9	13.2	.007	.34	.77	.053
()TC210HT-100L-RC	10	15	7.6	9.9	.012	.33	.76	.042
()TC210HT-120L-RC	12	15	9.0	9.6	.013	.33	.76	.042
()TC210HT-150L-RC	15	15	11.0	9.1	.014	.33	.76	.042
()TC210HT-180L-RC	18	15	13.0	8.6	.016	.33	.76	.042
()TC210HT-220L-RC	22	15	16.6	6.7	.026	.32	.75	.034
()TC210HT-270L-RC	27	15	20.1	6.4	.028	.32	.75	.034
()TC210HT-330L-RC	33	15	24.0	6.1	.031	.35	.79	.034
()TC210HT-390L-RC	39	15	28.0	5.9	.033	.35	.79	.034
()TC210HT-470L-RC	47	15	33.1	5.6	.036	.35	.79	.034
()TC210HT-560L-RC	56	15	38.5	5.3	.040	.35	.79	.034
()TC210HT-680L-RC	68	15	46.0	5.1	.044	.35	.79	.034
()TC210HT-820L-RC	82	15	54.0	4.8	.049	.35	.79	.034
()TC210HT-101L-RC	100	15	64.5	4.6	.053	.35	.79	.034
()TC210HT-121L-RC	120	15	84.4	3.5	.094	.34	.77	.027
()TC210HT-151L-RC	150	15	102.8	3.3	.110	.34	.77	.027
()TC210HT-181L-RC	180	15	120.7	3.1	.120	.34	.77	.027
()TC210HT-221L-RC	220	15	144.2	3.0	.130	.35	.79	.027
()TC210HT-271L-RC	270	15	172.6	2.8	.140	.35	.79	.027
()TC210HT-331L-RC	330	15	206.0	2.7	.160	.35	.79	.027
()TC210HT-391L-RC	390	15	266.7	2.1	.270	.33	.76	.022
()TC210HT-471L-RC	470	15	314.4	2.0	.290	.35	.79	.022
()TC210HT-561L-RC	560	15	366.9	1.9	.320	.35	.79	.022
()TC210HT-680L-RC	680	15	435.1	1.8	.350	.35	.79	.022
()TC210HT-821L-RC	820	15	512.0	1.7	.390	.37	.81	.022
()TC210HT-102L-RC	1000	15	608.2	1.6	.430	.37	.81	.022

Features

- High Temperature rating up to 200°C
- Low Magnetic Radiation
- Low Core Loss
- High current capacity up to 21A
- Available in Horizontal or Vertical configuration
- Optional Tape Cover
- Cross to Miller / Bourns 2100HT

Electrical

Inductance Range: 1.0μh to 1000μh
 Additional values available
Tolerance: 15% over entire range
Test Frequency: 1KHz
Operating Temp: -55°C ~ +200°C
Temp Rise: Δ T=30°C Typical at rated IDC

Test Equipment

(L): 100 LCR meter or equivalent
DCR: Chen Hwa 502

Physical

Packaging: Bulk
Marking: None

Please specify Vertical or Horizontal Mount by placing a V or H at the beginning of the part number, i.e. VTC210HT-100L (Vertical Mount). All specifications subject to change without notice.