

24V DRIVE INTERFACE BOARD (PARALLEL) FTP-622DCL001/011/ FTP-622DSL001/011/012

FOR FTP-622/632/642MCL001/002/301/302/303/304

■ INTERFACE

1. Centronics

(1) Connector (CN1)

Connector part number : FCN-605Q030-G/S (Fujitsu Components)

Mating connector part number : FCN-607B030-G/D (Fujitsu Components) or equivalent

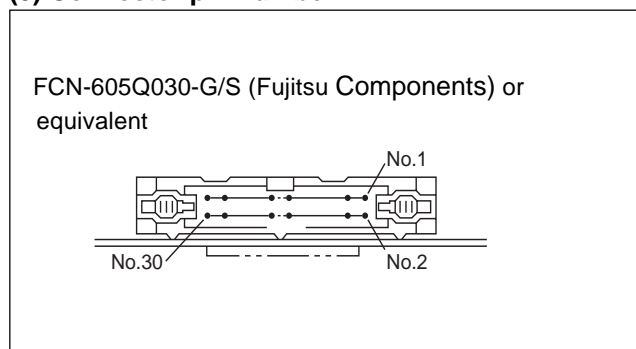
(2) Connector pin assignment

| No. | Signal | I/O | Contents | No. | Signal | I/O | Contents |
|-----|----------------------------|-----|------------------------|-----|---------------------------------------|-----|------------------------|
| 1 | PRSTB | I | Data strobe | 2 | $\overline{\text{PRSTB}}\text{-RET}$ | — | Connected to logic GND |
| 3 | PRDT0 | I | Data 0 | 4 | PRDT0-RET | — | Connected to logic GND |
| 5 | PRDT1 | I | Data 1 | 6 | PRDT1-RET | — | Connected to logic GND |
| 7 | PRDT2 | I | Data 2 | 8 | PRDT2-RET | — | Connected to logic GND |
| 9 | PRDT3 | I | Data 3 | 10 | PRDT3-RET | — | Connected to logic GND |
| 11 | PRDT4 | I | Data 4 | 12 | PRDT4-RET | — | Connected to logic GND |
| 13 | PRDT5 | I | Data 5 | 14 | PRDT5-RET | — | Connected to logic GND |
| 15 | PRDT6 | I | Data 6 | 16 | PRDT6-RET | — | Connected to logic GND |
| 17 | PRDT7 | I | Data 7 | 18 | PRDT7-RET | — | Connected to logic GND |
| 19 | $\overline{\text{ACKNLG}}$ | O | Data input acknowledge | 20 | $\overline{\text{ACKNLG}}\text{-RET}$ | — | Connected to logic GND |
| 21 | BUSY | O | Busy | 22 | BUSY-RET | — | Connected to logic GND |
| 23 | RINF2 | O | Printer status | 24 | $\overline{\text{INPRM}}\text{-RET}$ | — | Connected to logic GND |
| 25 | $\overline{\text{SLCTIN}}$ | I | Printer select | 26 | $\overline{\text{INPRM}}$ | I | Reset |
| 27 | RINF1 | O | Printer status | 28 | RINF3 | O | Printer status |
| 29 | $\overline{\text{ATF}}$ | I | Paper feed request | 30 | GND | — | Logic GND |

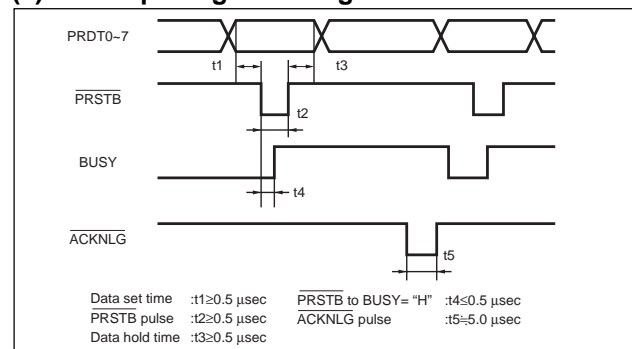
Notes:

- Symbol “—” means a negative logic signal.
- “-RET” signal is a return signal of the twisted pair cable.
- “I” or “O” means a signal direction from the interface board side.

(3) Connector pin number



(4) Data input signal timing



| Product | Part Number | Function |
|--------------------------|---------------|------------------------------------|
| Parallel Interface Board | FTP-622DCL001 | Standard (without cutter) |
| | FTP-622DCL011 | With cutter control |
| Serial Interface Board | FTP-622DSL001 | Standard (without cutter) |
| | FTP-622DSL011 | With cutter controller |
| | FTP-622DSL012 | With cutter controller + FLASH ROM |
| | FTP-622DSL112 | With Cutter + KANJI+FLASH ROM |

■ SPECIFICATION

| Item | Specification |
|--------------------|---|
| Data receive speed | 19200, 9600, 4800, 1200 bps (set by dip switch) |
| Synchronous method | Asynchronous, full duplex |
| Hand shake | DTR/DSR signal or XON/XOFF |
| Input output level | RS232C |
| Signal level | Space (logic = 0) +3 V ~ +12 V Mark (logic = 0) -3 V ~ -12 V |

2. SERIAL INTERFACE (RS232C)

(1) Connector (CN2)

Part number : B6B-XH-A (J.S.T)

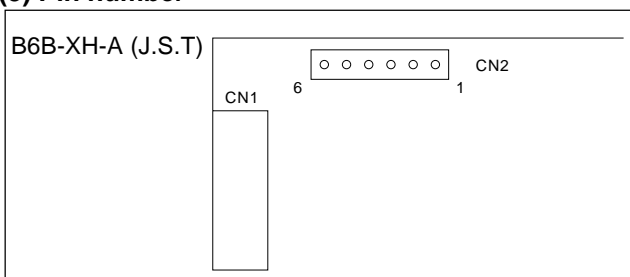
Mating connector part number : XHP-6 (J.S.T) or equivalent

(2) Pin assignment

| No. | Signal | I/O | Contents | No. | Signal | I/O | Contents |
|-----|--------|-----|-------------------|-----|--------|-----|---------------------|
| 1 | FG | — | Frame GND | 2 | RD | I | Receive data |
| 3 | TD | O | Transmission Data | 4 | DTR | O | Data terminal ready |
| 5 | GND | — | Signal GND | 6 | DSR | I | Data set ready |

Notes: "I" or "O" means a signal direction from the interface board side.

(3) Pin number



■ CONNECTOR PIN ASSIGNMENT

1. Connector for power supply (CN10)

Part number : B6P-VH (J.S.T)

Mating connector part number : VHR-6N (J.S.T) or equivalent

| No. | Signal | I/O | Contents | No. | Signal | I/O | Contents |
|-----|-----------------|-----|-------------------------------|-----|-----------------|-----|------------------------------|
| 1 | V _{CC} | — | Power supply for logic (+5 V) | 2 | GND | — | GND (5 V, 24 V common) |
| 3 | GND | — | GND (5 V, 24 V common) | 4 | GND | — | GND (5 V, 24 V common) |
| 5 | V _{DD} | — | Power for head/motor (+24 V) | 6 | V _{DD} | — | Power for head/motor (+24 V) |

2. Connector for thermal head drive (CN8)

Part number : B16B-PH-K-S (J.S.T)

Mating connector part number : PHR-16 (J.S.T) or equivalent

| No. | Signal | I/O | Contents | No. | Signal | I/O | Contents |
|-----|--------------------------|-----|-------------------------|-----|--------------------------|-----|------------------------------|
| 1 | VDH | O | Power for head (+24 V) | 2 | VDH | O | Power for head (+24 V) |
| 3 | GND (VDH) | — | Head GND | 4 | GND (VDH) | — | Head GND |
| 5 | $\overline{\text{STB1}}$ | O | Print enable signal 1 | 6 | $\overline{\text{STB2}}$ | O | Print enable signal 2 |
| 7 | $\overline{\text{STB3}}$ | O | Print enable signal 3 | 8 | TMP | I | Temperature detection signal |
| 9 | $\overline{\text{STB4}}$ | O | Print enable signal 4 | 10 | $\overline{\text{LAT}}$ | O | Print data latch signal |
| 11 | $\overline{\text{STB5}}$ | O | Print enable signal 5 | 12 | 5 VH | O | Power for logic (+5 V) |
| 13 | HCLK | O | Data transmission clock | 14 | HD | O | Print data output signal |
| 15 | GND (VDH) | — | Head GND | 16 | VDH | O | Power for head (+24 V) |

Notes:

- Symbol “—” means a negative logic signal.
- “I” or “O” means a signal direction from the interface board side.

3. Connector for Sensor (CN3)

Part number : B5B-PH-K-S (J.S.T)

| No. | Signal | I/O | Contents | No. | Signal | I/O | Contents |
|-----|-----------|-----|------------------------|-----|-------------------------|-----|-------------------------|
| 1 | +5 V | — | Power for logic (+5 V) | 2 | $\overline{\text{PES}}$ | I | Paper end detect signal |
| 3 | GND (5 V) | — | Logic GND | 4 | +5 V | — | Power for logic (+5 V) |
| 5 | HUP | I | Head-up detect signal | | | | |

7. Connector for control signal input/ output (CN1)

Part number : FCN-605Q030-G/S (Fujitsu Components)

Mating connector : FCN-607B030-G/D (Fujitsu Components) or equivalent

| No. | Signal | I/O | Contents | No. | Signal | I/O | Contents |
|-----|----------------------------|-----|--------------------|-----|---------------------------|-----|---------------|
| 1 | NC | — | No connection | 2 | NC | — | No connection |
| 3 | NC | — | No connection | 4 | NC | — | No connection |
| 5 | NC | — | No connection | 6 | NC | — | No connection |
| 7 | NC | — | No connection | 8 | NC | — | No connection |
| 9 | NC | — | No connection | 10 | NC | — | No connection |
| 11 | NC | — | No connection | 12 | NC | — | No connection |
| 13 | NC | — | No connection | 14 | NC | — | No connection |
| 15 | NC | — | No connection | 16 | NC | — | No connection |
| 17 | NC | — | No connection | 18 | NC | — | No connection |
| 19 | NC | — | No connection | 20 | NC | — | No connection |
| 21 | NC | — | No connection | 22 | NC | — | No connection |
| 23 | NC | — | No connection | 24 | NC | — | No connection |
| 25 | $\overline{\text{SLCTIN}}$ | I | Select signal | 26 | $\overline{\text{INPRM}}$ | I | Reset signal |
| 27 | NC | — | No connection | 28 | NC | — | No connection |
| 29 | $\overline{\text{ATF}}$ | I | Paper feed request | 30 | GND | — | GND |

*Do not connect outside signal to NC.

4. Connector for paper near end detection (CN5)

Part number : B2B-PH-K-S (J.S.T)
 Mating connector part number : PHR-2 (J.S.T) or equivalent

| No. | Signal | I/O | Contents | No. | Signal | I/O | Contents |
|-----|--------|-----|------------------------|-----|-------------------------|-----|------------------------------|
| 1 | +5 V | — | Power for logic (+5 V) | 2 | $\overline{\text{NES}}$ | I | Paper near end detect signal |

5. Connector for stepping motor drive (CN13)

Part number : B4B-PH-K-S (J.S.T)

| No. | Signal | I/O | Contents | No. | Signal | I/O | Contents |
|-----|---------------------------------|-----|--------------------------------|-----|----------------------|-----|--------------------------------|
| 1 | $\text{MT}/\overline{\text{B}}$ | O | Stepping motor coil excitation | 2 | MT/B | O | Stepping motor coil excitation |
| 3 | $\text{MT}/\overline{\text{A}}$ | O | Stepping motor coil excitation | 4 | MT/A | O | Stepping motor coil excitation |

6. Connector for cutter drive (CN11) *1

Part number : B4B-EH (J.S.T)

| No. | Signal | I/O | Contents | No. | Signal | I/O | Contents |
|-----|--------|-----|-------------------------------|-----|--------|-----|--------------------------|
| 1 | SW1 | I | Cutter position detect signal | 2 | GND | — | Logic ground |
| 3 | M+ | O | Motor control signal (+) | 4 | M- | O | Motor control signal (-) |

*1: Only for FTP-622DCL011/111.

■ PRINTING COMMANDS (CENTRONICS INTERFACE)

| Command | Contents |
|--|--|
| HT | Moves the print position to the next tab. |
| LF | Line feed. |
| FF | Feeds forms (new page). |
| ESC RS | Sets reverse printing. |
| ESC US | Resets reverse printing. |
| ESC ! +n | Sets print mode. |
| ESC* +m+n ₁ +n ₂ +d ₁ ~d _N | Sets the bit image mode "m" for n ₁ , n ₂ dot numbers. |
| ESC 2 | Sets 1/6 inch line feed length. |
| ESC 3 + n | Sets the line feed length. |
| ESC @ | Printer initialization. |
| ESC A+n | Sets the space between lines. |
| ESC C+n | Sets the page length by character line. |
| ESC D+d ₁ ~d _N +NUL | Sets the tab position. |
| ESC J+n | Feeds paper in forward direction. |
| ESC K+n | Feeds paper in reverse direction. |
| ESC c+1+n | Sets the internal processing. |
| ESC R+n | Selects the international character. |
| ESC s+n | Sets the printing speed. |
| ESC d+n | Printing and n-line feeding. |
| ESC e+n | Reverse line feed in "n" lines after printing. |
| ESC t+n | Character code table selection. |
| ESC {+n | Sets/resets the upside down printing. |
| ECS EM+n | Automatic paper feed distance setting. |
| ESC X+n+m | Setting turning time of the motor excitation. |
| ESC V+n | Right Rotation 90° specification / cancellation. |
| ESC %+n | Selects the font to download* ³ . |
| ESC &+y+c ₁ +c ₂ +x+d ₁ ~d _n | Registers the download front* ³ . |
| ESC ?+n | External character registration deletion* ³ . |
| FS E+n | Correction of impressed energy. |
| FS ! +n | Sets the Kanji print mode* ¹ . |
| FS & | Sets Kanji mode* ¹ . |

(Continued)

(Continued)

| Command | Contents |
|---------------------|---|
| FS . | Resets Kanji mode* ¹ . |
| FS C+n | Selects Kanji code type* ¹ . |
| FS 9+n | Sets the detection functions. |
| FS*+m+n1+n2+d1~dn | Prints image data on SRAM* ³ . |
| FS r+n | Notifies of printing finish* ⁴ . |
| FS W+n | Sets/resets 4 times enlarged character. |
| GS < | Line feeds to the next mark. |
| GS A+m+n | Sets the line feed length after mark detection. |
| GS E+n | Sets print quality. |
| GS V+n+m | Executes paper cutting* ² . |
| GS e+n+m | Sets the bar width. |
| GS h+n | Sets the barcode height. |
| GS k+m+n+d1~dn | Selects the barcode type and prints. |
| GS w+n | Sets the barcode length. |
| GS &+m+x+y1+y2+[d]k | Registration of image data* ³ . |
| GS '+m+n | Prints registered image data * ³ . |
| GS a+n | Sets and cancels status transmission (valid only for DSL)* ³ . |

*1: Only for FTP-622DSL112.

*2: Only for FTP-622DCL011 or FTP-622DSL011/012.

*3: Only for FTP-622DSL012.

*4: Only for FTP-622DSL011/012.

■ OPTIONS

1. Cable (With FTP-622MCL, FTP-632MCL, FTP-642MCL)

| Name | Part Number | Cable Length |
|---|------------------|----------------------|
| Thermal head connection cable (CN8)* | FTP-622Y001 | 270 mm (10.6 inches) |
| Interface cable | Centronics (CN1) | FTP-622Y201 |
| | Serial (CN2) | FTP-622Y301 |
| Power cable for head, motor, and logic (CN10) | FTP-622Y401 | 300 mm (11.8 inches) |
| * short cable option | FTP-624Y001 | 150 mm (5.9 inches) |

2. Paper holder

| Name | Part number |
|--------|-------------|
| Flange | FTP-040HF |
| Stand | FTP-040HS |

Fujitsu Components International Headquarter Offices

Japan

Fujitsu Component Limited
Gotanda-Chuo Building
3-5, Higashigotanda 2-chome, Shinagawa-ku
Tokyo 141, Japan
Tel: (81-3) 5449-7010
Fax: (81-3) 5449-2626
Email: promothq@ft.ed.fujitsu.com
Web: www.fcl.fujitsu.com

North and South America

Fujitsu Components America, Inc.
250 E. Caribbean Drive
Sunnyvale, CA 94089 U.S.A.
Tel: (1-408) 745-4900
Fax: (1-408) 745-4970
Email: marcom@fcai.fujitsu.com
Web: www.fcai.fujitsu.com

Europe

Fujitsu Components Europe B.V.
Diamantlaan 25
2132 WV Hoofddorp
Netherlands
Tel: (31-23) 5560910
Fax: (31-23) 5560950
Email: info@fceu.fujitsu.com
Web: www.fceu.fujitsu.com

Asia Pacific

Fujitsu Components Asia Ltd.
102E Pasir Panjang Road
#04-01 Citilink Warehouse Complex
Singapore 118529
Tel: (65) 6375-8560
Fax: (65) 6273-3021
Email: fcal@fcal.fujitsu.com
www.fcal.fujitsu.com

© 2004 Fujitsu Components America, Inc. All company and product names are trademarks or registered trademarks of their respective owners. Rev. 11/15/2004.