

# TRR-8A33

## Connectorized High-speed GaAs PIN

### FEATURES:

- Industry standard connector of metallic ST\*-type receptacle.
- Pre-aligned for multi-mode fibers.
- Bandwidth > 1.5 GHz
- Low dark current and low capacitance.



### ELECTRO-OPTICAL CHARACTERISTICS:

PARAMETERS	SYMBOL	MIN	TYP	MAX	UNIT	TEST CONDITIONS
Responsivity <sup>(1)</sup>	R	0.35	0.4		A/W	$V_R = 5 \text{ V}$ , $\lambda = 850 \text{ nm}$
Dark Current	$I_D$		1	2	nA	$V_R = 5 \text{ V}$
Breakdown Voltage	$V_{BD}$	50	85		V	$I_R = 10 \mu\text{A}$
Capacitance <sup>(2)</sup>	C		1.2	1.5	pF	$V_R = 5 \text{ V}$ , $f = 1 \text{ MHz}$

1. The responsivity is measured by using an 850 nm VCSEL as the optical light source to 50/125  $\mu\text{m}$  or 62.5/125  $\mu\text{m}$  multimode fibers.

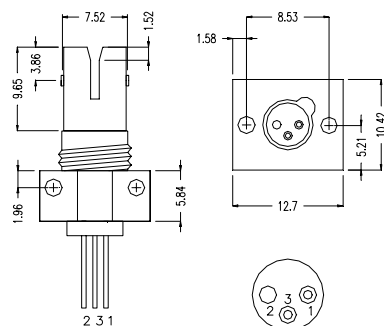
2. Sensitive area is typical 120 $\mu\text{m}$  in diameter.

### ABSOLUTE MAXIMUM RATINGS:

PARAMETERS	MIN	MAX	UNIT	CONDITIONS
Storage Temperature	-40	100	°C	
Operating Temperature	-20	85	°C	
Lead Solder Temperature		260	°C	10 seconds

### OUTLINE DIMENSIONS:

- Unit: mm



Pinout

1. Anode
2. NC
3. Cathode