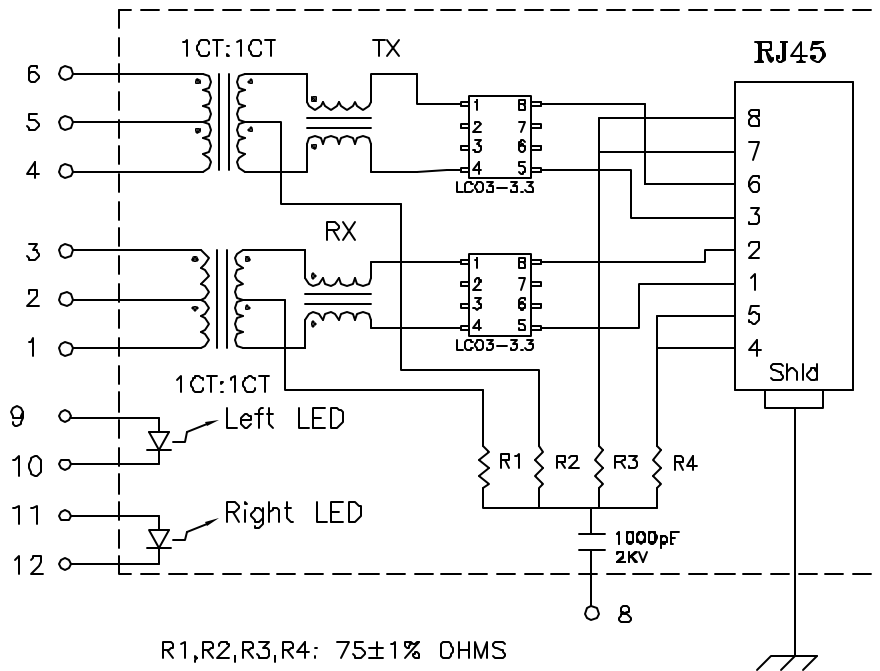


Schematic:



Electrical Specifications: @25°C

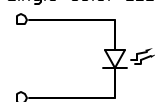
Isolation Voltage: 1500 Vrms (Input to Output)
 Isolation Voltage: 500 Vrms (P1+2+3 to P4+5+6)
 Turns Ratio: TX 1CT:1CT ±3% RX 1CT:1CT ±3%
 CABLE SIDE OCL: 350uH Minimum @100KHz 100mV 8mADC
 Cw/w: 27pF Typical @100KHz 100mV
 Insertion Loss (300KHz-100MHz): -1.00dB Min
 Return Loss: @30MHz -18dB Minimum
 @80MHz -12dB Minimum

Complete the Combo P/N as follows:

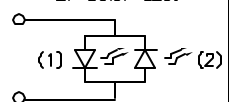
Replace 'x' & 'u' in the part number with one of the LED color letters:

Y=Yellow
 G=Green
 A=Amber
 R=Red
 C=Green(1)/Amber(2) Bicolor
 D=Amber(1)/Green(2) Bicolor
 M=Green(1)/Yellow(2) Bicolor
 N=Yellow(1)/Green(2) Bicolor
 P=Red(1)/Green(2) Bicolor
 Q=Green(1)/Red(2) Bicolor

Single Color LED:



Bi-Color LED:



Notes:

- Solderability: Leads shall meet MIL-STD-202G, Method 208H for solderability.
- Flammability: UL94V-0
- ASTM oxygen index: > 28%
- Insulation System: Class F 155°C. UL file E151556
- Operating Temperature Range: All listed parameters are to be within tolerance from -40°C to +85°C
- Storage Temperature Range: -55°C to +125°C
- Aqueous wash compatible
- Electrical and mechanical specifications 100% tested
- RoHS 6/6 Compliant Component

DOC REV: A/11

XFMRs Inc.
 www.XFMRs.com

Title:

SINGLE PORT COMBO

UNLESS OTHERWISE SPECIFIED
 TOLERANCES:
 .xxx ±0.010

P/N: XFATM9DM-CTxu1-4M

REV. A

Dimensions in Inch

DWN.

Juan Mao

Nov-27-06

CHK.

YK Liao

Nov-27-06

SHEET 1 OF 2

APP.

MS

Nov-27-06

PROPRIETARY:

Document is the property of XFMRs Group & is not allowed to be duplicated without authorization.

