

**PLEASE CHECK WWW.MOLEX.COM FOR LATEST PART INFORMATION**

**Part Number:** [0357470310](#)  
**Status:** **Active**  
**Overview:** [versablade](#)  
**Description:** Crimp Terminal 35747, 18+18, 20+20 AWG

**Documents:**

<a href="#">Drawing (PDF)</a>	<a href="#">Product Specification PS-35182-003 (PDF)</a>
<a href="#">Product Specification PS-35150-001 (PDF)</a>	<a href="#">Product Specification PS-35524-001 (PDF)</a>
<a href="#">Product Specification PS-35180-002 (PDF)</a>	<a href="#">RoHS Certificate of Compliance (PDF)</a>

**General**

Product Family	Crimp Terminals
Series	<a href="#">35747</a>
Crimp Quality Equipment	Yes
Overview	<a href="#">versablade</a>
Product Name	VersaBlade™

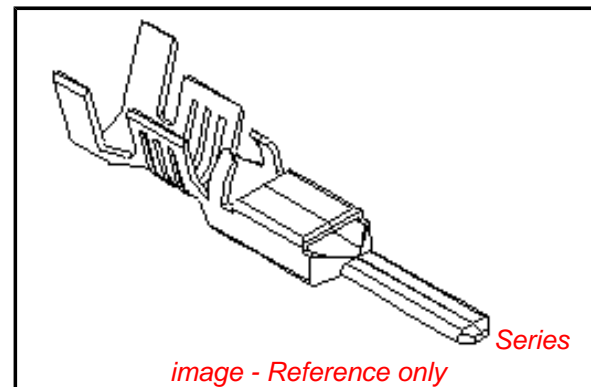
**Physical**

Gender	Male
Material - Metal	Brass
Material - Plating Mating	Tin
Material - Plating Termination	Tin
Packaging Type	Reel
Plating min: Mating (µin)	32.00
Plating min: Mating (µm)	0.800
Plating min: Termination (µin)	32.00
Plating min: Termination (µm)	0.80
Termination Interface: Style	Crimp or Compression
Wire Insulation Diameter	6.00mm (.236") max.
Wire Size AWG	18+18, 20+20
Wire Size mm²	N/A

**Material Info**

**Reference - Drawing Numbers**

Product Specification	PS-35150-001, PS-35180-002, PS-35182-003, PS-35524-001
Sales Drawing	SD-35747-002



**EU RoHS**

**ELV and RoHS Compliant**  
**REACH SVHC**  
**Contains SVHC: No**  
**Halogen-Free Status**

**China RoHS**



**Need more information on product environmental compliance?**

Email [productcompliance@molex.com](mailto:productcompliance@molex.com)  
 For a multiple part number RoHS Certificate of Compliance, [click here](#)

Please visit the [Contact Us](#) section for any non-product compliance questions.

**Search Parts in this Series**

[35747Series](#)

**Application Tooling | [FAQ](#)**

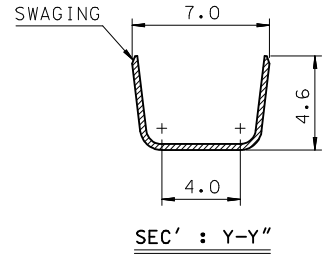
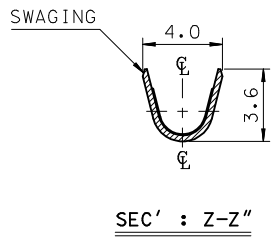
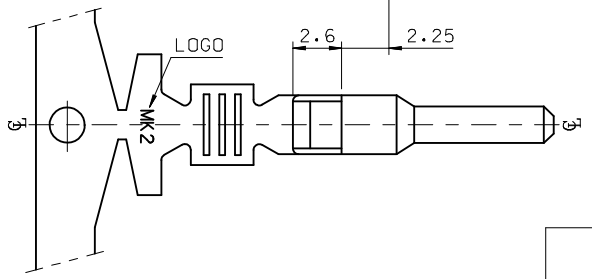
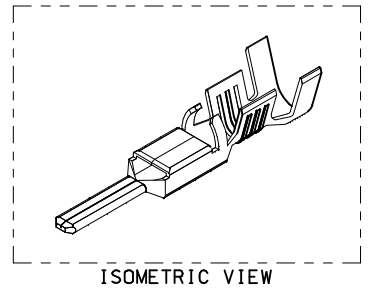
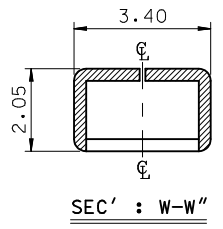
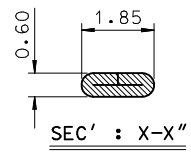
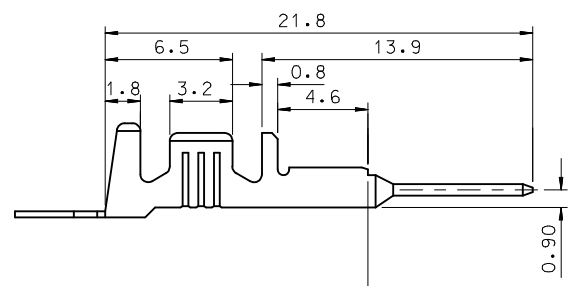
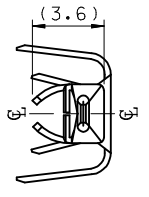
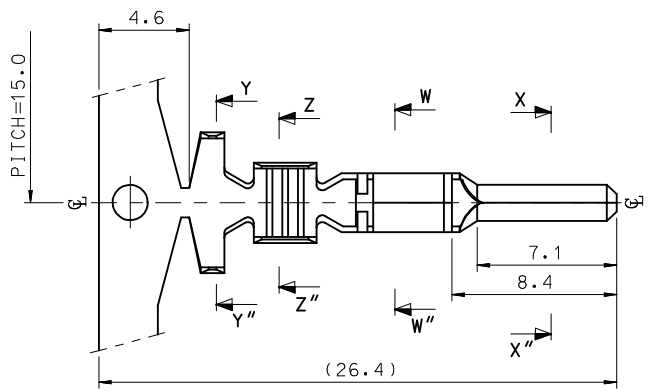
*Tooling specifications and manuals are found by selecting the products below. Crimp Height Specifications are then contained in the Application Tooling Specification document.*

**Global**

Description	Product #
Hand Crimp Tool	<a href="#">0638190700</a>
T2 Terminator Die	<a href="#">0638529200</a>
FineAdjust™ Applicator	<a href="#">0638629200</a>

NOTES.

1. MATERIAL : ⓄBRASS, PRE-TIN PLATED
2. FINISH : 0.8~1.8μm,Tin(Sn) plating overall  
0.3~0.8μm.Copper(Cu) plating
3. PRODUCT SPECIFICATION : PS-35150-001, PS-35180-002  
PS-35180-003, PS-35182-003, PS-35524-001
4. CRIMPING SPECIFICATION : CS-35745-001
5. RECOMMENDED LENGTH OF WIRE STRIP IS 4.0~4.8mm
6. APPLICABLE WIRE SIZE : AWG #20+#20  
AWG #20+#18  
AWG #18+#18



REVISED EC NO: KOR2009-0151 DRWN: JHPARK01 2009/05/18 CHKD: WY. YANG 2009/06/18 APPR: YUNS IKKIM 2009/07/01	QUALITY SYMBOLS ▽=0 ▽=0	GENERAL TOLERANCES (UNLESS SPECIFIED) mm INCH 4 PLACES ± --- ± --- 3 PLACES ± --- ± --- 2 PLACES ± 0.2 ± --- 1 PLACE ± 0.3 ± --- ANGULAR ± 1°	DIMENSION STYLE MM ONLY DRAWN BY JS.KANG DATE 1998/01/19 CHECKED BY BK. CHOI DATE 1998/01/19 APPROVED BY CW.LEE DATE 1998/01/19	SCALE 4:1 DESIGN UNITS METRIC THIRD ANGLE PROJECTION	TITLE .070 MALE TERMINAL-B (LARGE)
	DRAFT WHERE APPLICABLE MUST REMAIN WITHIN DIMENSIONS	MATERIAL NO. 357470310	MOLEX INCORPORATED	SHEET NO. 1 OF 01	
	SIZE A3	THIS DRAWING CONTAINS INFORMATION THAT IS PROPRIETARY TO MOLEX INCORPORATED AND SHOULD NOT BE USED WITHOUT WRITTEN PERMISSION			
	REV	DESCRIPTION	DOCUMENT NO. SD-35747-002	MATERIAL NO.	