

PLEASE CHECK WWW.MOLEX.COM FOR LATEST PART INFORMATION

Part Number: **0524181590**
Status: **Active**
Description: 2.00mm (.079") Pitch Board-to-Board Receptacle, Right Angle, Single Row, Friction Lock, 15 Circuits, Tube Package

Documents:

[3D Model](#)
[Drawing \(PDF\)](#)
[Product Specification PS-52418-002 \(PDF\)](#)
[Product Specification PS-52418-003 \(PDF\)](#)
[RoHS Certificate of Compliance \(PDF\)](#)

General

Product Family PCB Receptacles
 Series 52418
 Application Board-to-Board
 Product Name N/A

Physical

Circuits (Loaded) 15
 Color - Resin Natural
 Durability (mating cycles max) 30
 Glow-Wire Compliant No
 Lock to Mating Part Yes
 Material - Metal Phosphor Bronze
 Material - Plating Mating Tin
 Material - Plating Termination Tin
 Material - Resin Polyester
 Number of Rows 1
 Orientation Right Angle
 PCB Locator No
 PCB Retention Yes
 PCB Thickness Recommended (in) 0.062 In
 PCB Thickness Recommended (mm) 1.60 mm
 Packaging Type Tube
 Pitch - Mating Interface (in) 0.079 In
 Pitch - Mating Interface (mm) 2.00 mm
 Plating min: Mating (µin) 36
 Plating min: Mating (µm) 0.90
 Plating min: Termination (µin) 36
 Plating min: Termination (µm) 0.90
 Polarized to PCB No
 Surface Mount Compatible (SMC) No
 Temperature Range - Operating -40°C to +105°C
 Termination Interface: Style Through Hole - Kinked Pin

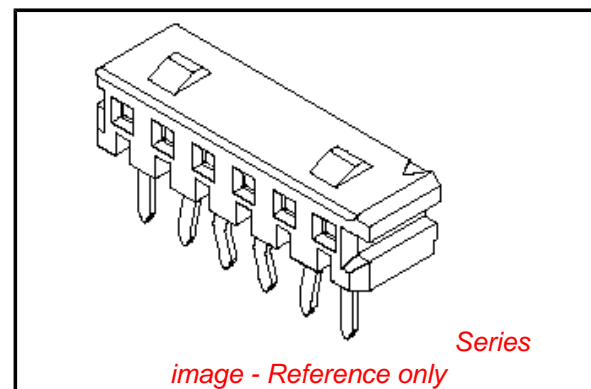
Electrical

Current - Maximum per Contact 1.5A
 Voltage - Maximum 125V

Material Info

Reference - Drawing Numbers

Product Specification PS-52418-002, PS-52418-003, RPS-52418-001, RPS-52418-004
 Sales Drawing SD-52418-**90



EU RoHS

ELV and RoHS Compliant
REACH SVHC Contains SVHC: No
Halogen-Free Status

China RoHS



Not Reviewed
Need more information on product environmental compliance?

Email productcompliance@molex.com
 For a multiple part number RoHS Certificate of Compliance, [click here](#)

Please visit the [Contact Us](#) section for any non-product compliance questions.

Search Parts in this Series

[52418Series](#)

Mates With

[53290](#)

This document was generated on 04/16/2010

PLEASE CHECK WWW.MOLEX.COM FOR LATEST PART INFORMATION

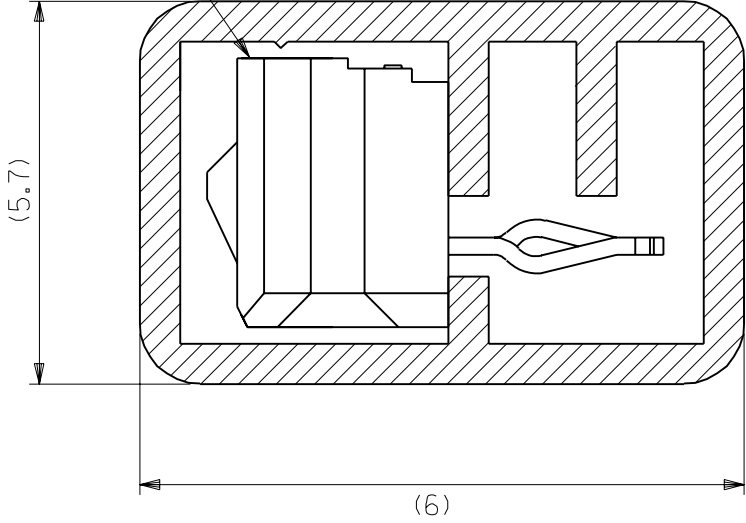
ENG. NO
SD-52418-**-90

EDP NO.

MM : DIMENSIONS IN METRIC DO NOT SCALE DRAWING

REV

A



52418-**-10

ステイック
STICK

(9)

13	52418-2090	20
14	- 1990	19
15	- 1890	18
15	- 1790	17
16	- 1690	16
17	- 1590	15
19	- 1490	14
20	- 1390	13
22	- 1290	12
24	- 1190	11
26	- 1090	10
28	- 0990	9
32	- 0890	8
36	- 0790	7
41	- 0690	6
49	- 0590	5
59	- 0490	4
75	52418-0390	3
梱包数 QUANTITY	ENG.NO.	極数 CKT.

MOLEX-JAPAN CO.,LTD.
moLEX 日本モレックス株式会社

EDP. NO.

ENG. NO.

SD-52418-**-90

REV

A

TITLE 名称:
STICK PACKAGING
FOR 52418-**-10

注 記 NOTES

- ステイック両端はキャップ止め。
BOTH ENDS WITH CAPS.
- 全長 : 600⁺²
LENGTH: 600⁺²
- 肉厚 : 0.6
THICKNESS: 0.6

角度	ANGLE	±3°
以上	OVER	±0.3
10以上	OVER	未満 ±0.25
10未満	UNDER	±0.2
一般公差	GENERAL TOLERANCES	

材料 MATERIAL	ステイック : ポリ塩化ビニル STICK : PVC
仕上げ FINISH	— # —
適用電線範囲 WIRE RANGE	— # —
被覆外径 INS. RANGE	— # —
DRAWN BY '90/7/11	CHK'D BY '93/9/23
S.AIHARA	T.ITO
APP'D BY '93/9/23	尺 寸
M.FUKUSHIMA	SCALE
	— # —

REVISION RECORD

DR

CHK.

DATE

日付

REVISION RECORD

DR

CHK.

DATE

日付

REVISION RECORD

DR

CHK.

DATE

日付

REVISION RECORD

DR

CHK.

DATE

日付

REVISION RECORD

DR

CHK.

DATE

日付

REVISION RECORD

DR

CHK.

DATE

日付

REVISION RECORD

DR

CHK.

DATE

日付

REVISION RECORD

DR

CHK.

DATE

日付

REVISION RECORD

DR

CHK.

DATE

日付

REVISION RECORD

DR

CHK.

DATE

日付

REVISION RECORD

DR

CHK.

DATE

日付

REVISION RECORD

DR

CHK.

DATE

日付

REVISION RECORD

DR

CHK.

DATE

日付

REVISION RECORD

DR

CHK.

DATE

日付

REVISION RECORD

DR

CHK.

DATE

日付

REVISION RECORD

DR

CHK.

DATE

日付

REVISION RECORD

DR

CHK.

DATE

日付

REVISION RECORD

DR

CHK.

DATE

日付

REVISION RECORD

DR

CHK.

DATE

日付

REVISION RECORD

DR

CHK.

DATE

日付

REVISION RECORD

DR

CHK.

DATE

日付

REVISION RECORD

DR

CHK.

DATE

日付

REVISION RECORD

DR

CHK.

DATE

日付

REVISION RECORD

DR

CHK.

DATE

日付

REVISION RECORD

DR

CHK.

DATE

日付

REVISION RECORD

DR

CHK.

DATE

日付

REVISION RECORD

DR

CHK.

DATE

日付

REVISION RECORD

DR

CHK.

DATE

日付

REVISION RECORD

DR

CHK.

DATE

日付

REVISION RECORD

DR

CHK.

DATE

日付

REVISION RECORD

DR

CHK.

DATE

日付

REVISION RECORD

DR

CHK.

DATE

日付

REVISION RECORD

DR

CHK.

DATE

日付

REVISION RECORD

DR

CHK.

DATE

日付

REVISION RECORD

DR

CHK.

DATE

日付

REVISION RECORD

DR

CHK.

DATE

日付

REVISION RECORD

DR

CHK.

DATE

日付

REVISION RECORD

DR

CHK.

DATE

日付

REVISION RECORD

DR

CHK.

DATE

日付

REVISION RECORD

DR

CHK.

DATE

日付

REVISION RECORD

DR

CHK.

DATE

日付

REVISION RECORD

DR

CHK.

DATE

日付

REVISION RECORD

DR

CHK.

DATE

日付

REVISION RECORD

DR

CHK.

DATE

日付

REVISION RECORD

DR

CHK.

DATE

日付

REVISION RECORD

DR

CHK.

DATE

日付

REVISION RECORD

DR

CHK.

DATE

日付

REVISION RECORD

DR

CHK.

DATE

日付

REVISION RECORD

DR

CHK.

DATE

日付

REVISION RECORD

DR

CHK.

DATE

日付

REVISION RECORD

DR

CHK.

DATE

日付

REVISION RECORD

DR

CHK.

DATE

日付

REVISION RECORD

DR

CHK.

DATE

日付