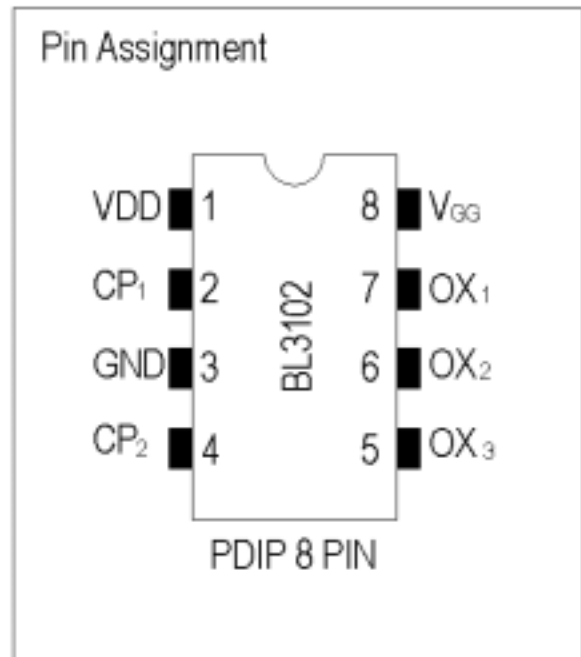


Description

The BL3102 is a low output impedance, CMOS 2-phase clock generator/driver circuit for low voltage operation BBD. It also includes a V_{GG} Voltage generator. This device can provide acquired clock by self-oscillating an external clock source. The output clock pulse frequency is half of the oscillating (or external) pulse frequency.

Features

- It can drive 4096-stage like low voltage operation BBD directly.
- 2-phase clock output
- Build-in V_{GG} generator for low voltage operation BBD.
- Single power supply (4V-10V)
- 8-pin plastic DIP



Application Circuit

