

10/100 LAN Interface Module For PC Card Applications

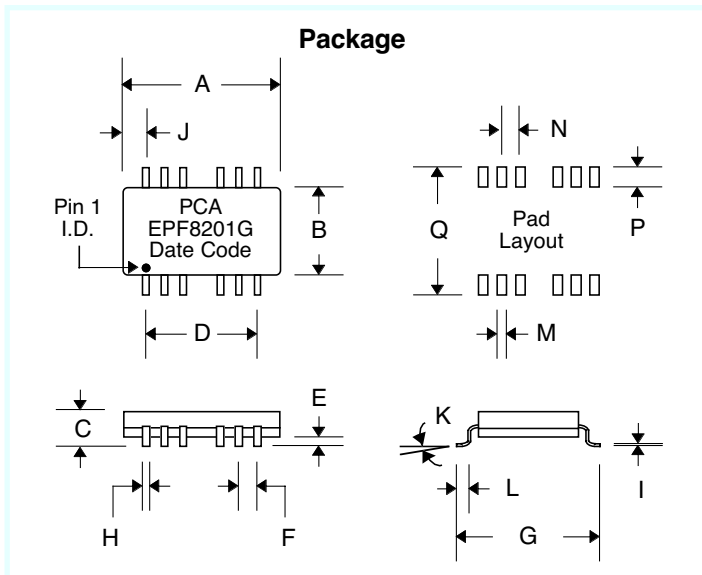
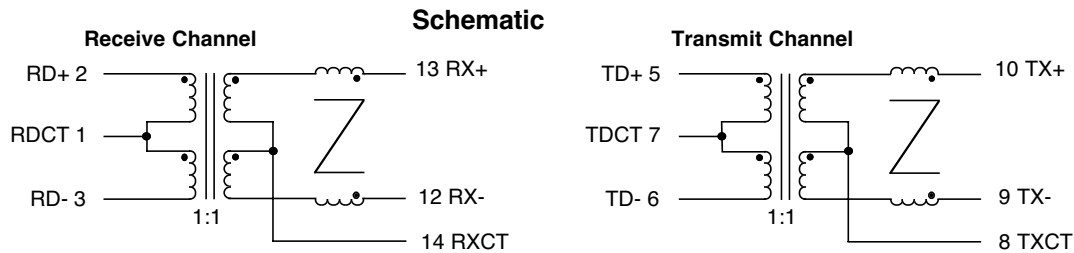
EPF8201G

- Optimized for DP83840A/DP83223 Chip Set •
- Recommended for use with ICS 1890 Series and SS578Q2120 •
- Guaranteed to operate with 8 mA DC bias at 70°C •
- Complies with or exceeds IEEE 802.3, 10 BT/100 BX Standards •

Electrical Parameters @ 25° C

OCL @ 70°C	Insertion Loss (dB Max.)						Return Loss (dB Min.)						Common Mode Rejection (dB Min.)						Crosstalk (dB Min.) [Between Channels]	
	1-80 MHz		80-100 MHz		100-150 MHz		1-30 MHz		30-60 MHz		60-100 MHz		1-30 MHz		30-100 MHz		100-500 MHz		1-10 MHz	10-100 MHz
Cable Side	Xmit	Rcv	Xmit	Rcv	Xmit	Rcv	Xmit	Rcv	Xmit	Rcv	Xmit	Rcv	Xmit	Rcv	Xmit	Rcv	Xmit	Rcv		
100 KHz, 0.1 Vrms 8 mA DC Bias	-1	-1	-1	-1	-3.5	-3	-20	-20	-17	-17	-10	-10	-38	-38	-38	-38	-10	-10	-38	-38

• Isolation : 1500 Vrms • Impedance : 100 Ω • Rise Time : 3.0 nS Max. •



Dimensions

Dim.	(Inches)			(Millimeters)		
	Min.	Max.	Nom.	Min.	Max.	Nom.
A	.780	.800	.790	19.81	20.32	20.07
B	.510	.530	.520	12.96	13.46	13.21
C	.084	.092	.088	2.13	2.34	2.23
D	---	---	.600	---	---	15.24
E	.003	.010	.005	.076	.254	.127
F	---	---	.100	---	---	2.54
G	.660	.680	.670	16.76	17.27	17.02
H	.017	.022	.020	.432	.559	.508
I	.008	.013	.011	.203	.330	.279
J	---	---	.095	---	---	2.41
K	0°	8°	---	0°	8°	---
L	.025	.045	.035	.635	1.14	.889
M	---	---	.030	---	---	.762
N	---	---	.100	---	---	2.54
P	---	---	.085	---	---	2.16
Q	---	---	.700	---	---	17.78