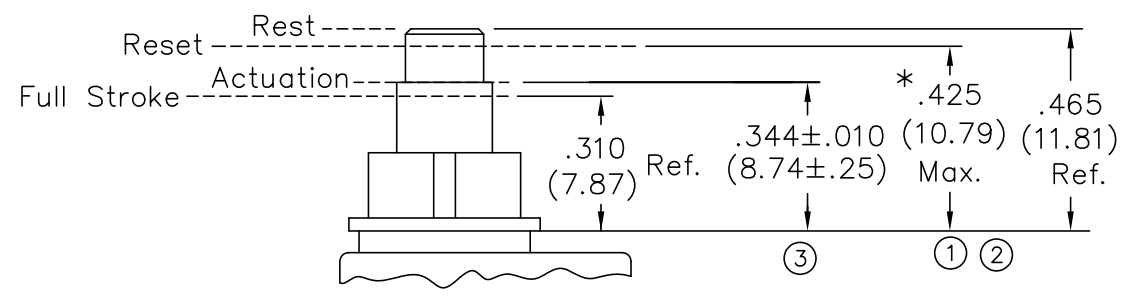
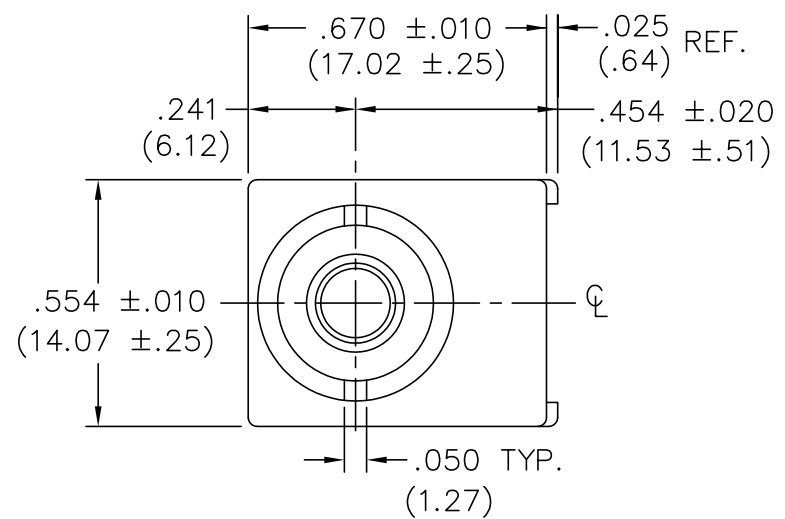


DIMENSIONS IN INCHES (MILLIMETERS)
DO NOT SCALE DRAWING

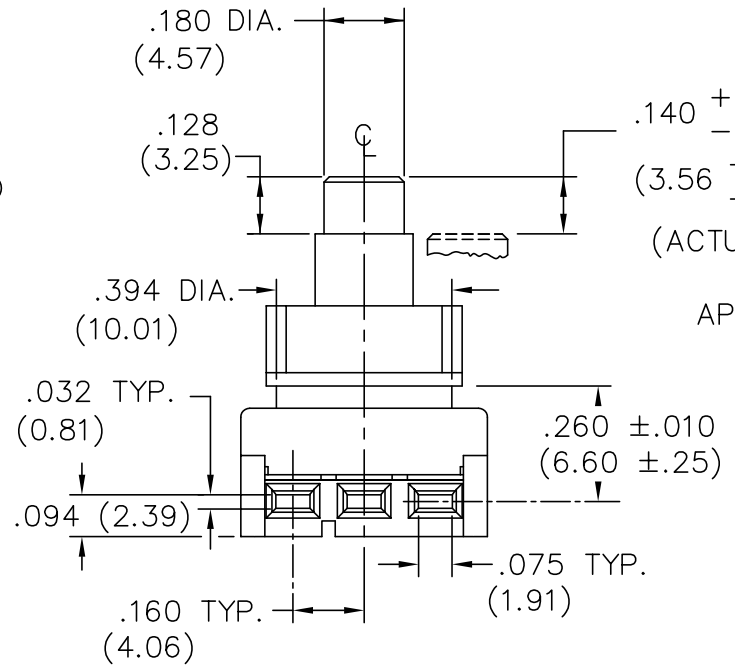
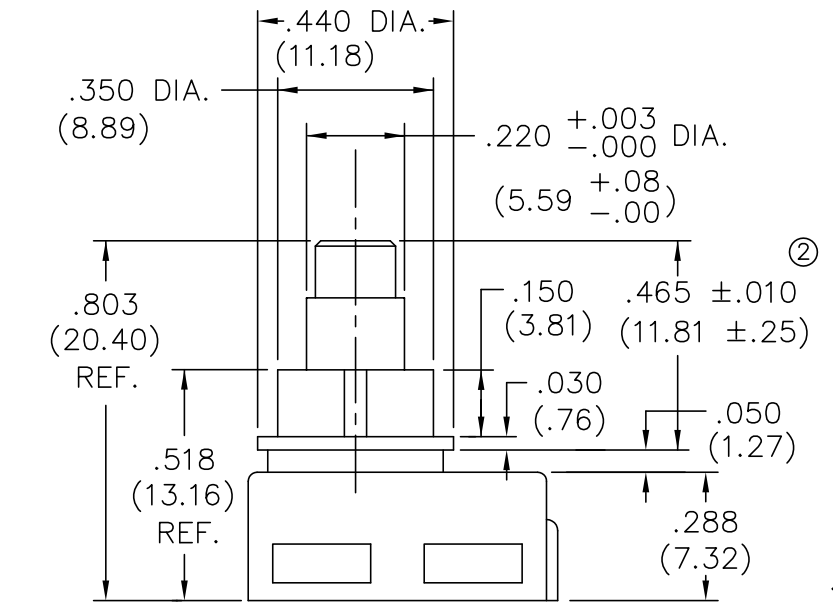
Dwg. No.
GC-536B-0108

E
D
C
B
A

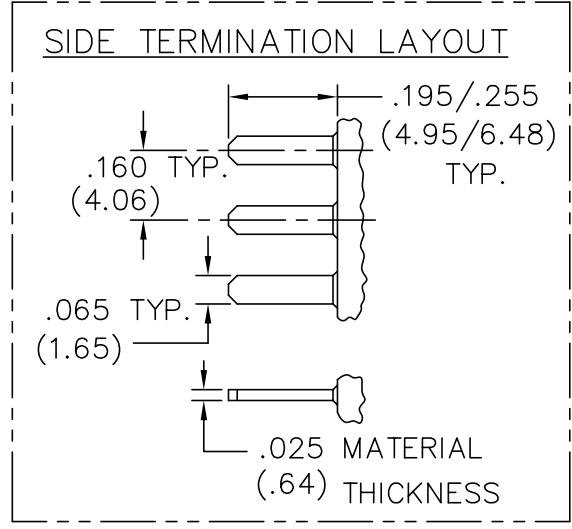


SWITCH TRAVEL SPECIFICATIONS

* Mating Part can Pre-Load Actuator down to .425 (10.79) max..



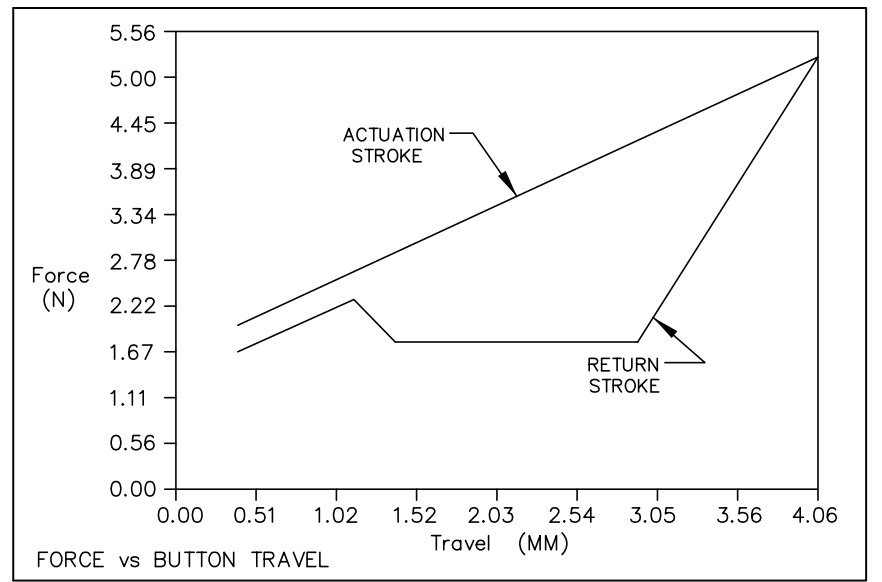
(ACTUATOR MAY HAVE AN .040 MAX. (1.02) APPLICATION OF PRE-LOAD TRAVEL)



SPECIFICATIONS:

MATERIALS:

- HOUSING & BASE - Nylon and or Glass Filled Nylon 6/6 UL 94-V2 minimum
- ACTUATOR - Nylon 6/6 UL 94-V2 minimum
- MOVING CONTACT - Copper Alloy/Phos. Bronze Silver Plated
- STATIONARY CONTACT - BeCu 174 Alloy/75µin. Silver Plated
- ELECTRICAL RATING - 1A. 125V.A.C.
3A. 14V.D.C.
- MECHANICAL PERFORMANCE - 30,000 Cycles minimum at Rated Load.
- OPERATING FORCE - 17 - 24ozs., Typical
4.6 - 6.6 Newtons, Typical
- VOLTAGE DROP - .030V. MAX @ .7A
- TERMINATION - Insert male tabs into switch housing using side or bottom termination option. Refer to termination option layout for dimensions."



FORM-B3

REVISIONS	1	2	3
0	RELEASED. DGW 10-14-2002		
1	.440 MAX. WAS .425 MIN. IN TRAVEL SPECIFICATIONS. DGW 11-19-2002 CH 11-19-2002		
2	REDRAWN. .425 WAS .440 IN SWITCH TRAVEL SPECIFICATIONS. .465±.010 WAS .465±.015. ADDED PRE-LOAD NOTE TO TRAVEL NOTE & ADDED FORCE VS BUTTON TRAVEL CHART. DGW 4-28-2003 GG May 1, 2003		
3	.344±.010 WAS .342±.008 IN TRAVEL SPEC.'S. DGW 10-26-2004 CH Oct. 27, 2004		

1	2	3	4	5	6	7	8	9	10
---	---	---	---	---	---	---	---	---	----

CW INDUSTRIES
Southampton, Pa. 18966

TOLERANCES UNLESS OTHERWISE SPECIFIED

2 Place Decimal ±.010	METRIC
3 Place Decimal ±.005	1 Place Dec. ±.25mm
Angles ±1°	2 Place Dec. ±.13mm

Made for: CW IND.
Drawn by: DGW 10-14-2002
Checked by: GG 4-29-03
Approval: BF 5-1-3

Title: SWITCH ASSEMBLY
PUSH ON-PUSH OFF
S.P.D.T. W/RIBS
DAMPER SPRING VERSION

Division: SWITCH

Dwg. No.
GC-536B-0108