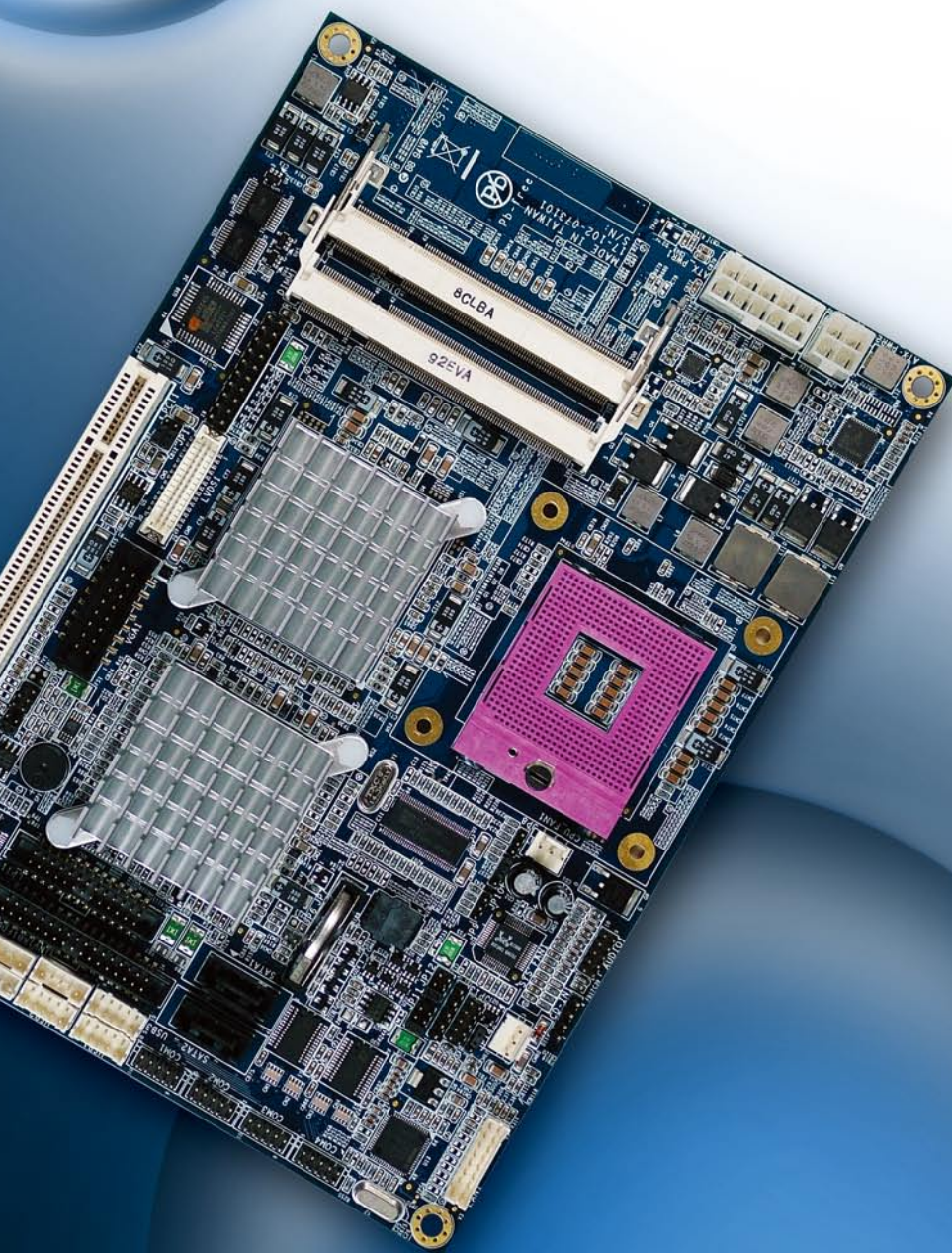


SBC



LB-731LF

Intel® Core™ 2 Duo
Embedded Board
wVGA/Audio/LAN

Features :

- Support Intel® Core™ 2 Duo Processor
- Intel® GM45 + ICH9M
- Memory Support DDR2 667/ 800 MHz up to 4GB
- 1 x Expansion Slot for PCI



Protech Systems Co., Ltd.

No. 24, Lane 365, Yang Goang Street, Nei Hu District Taipei 114, Taiwan
TEL: +886-2-8751-1111 FAX: +886-2-8751-1199
E-mail: sales@protech.com.tw
<http://www.protech.com.tw>

Protech Technologies Inc.

950 Fee Ana St, Suite B Placentia, CA 92870
TEL: +1-714- 996-7200 FAX: +1-714- 996-7300
Sales: sales@protech-usa.net
<http://www.protech-usa.net>

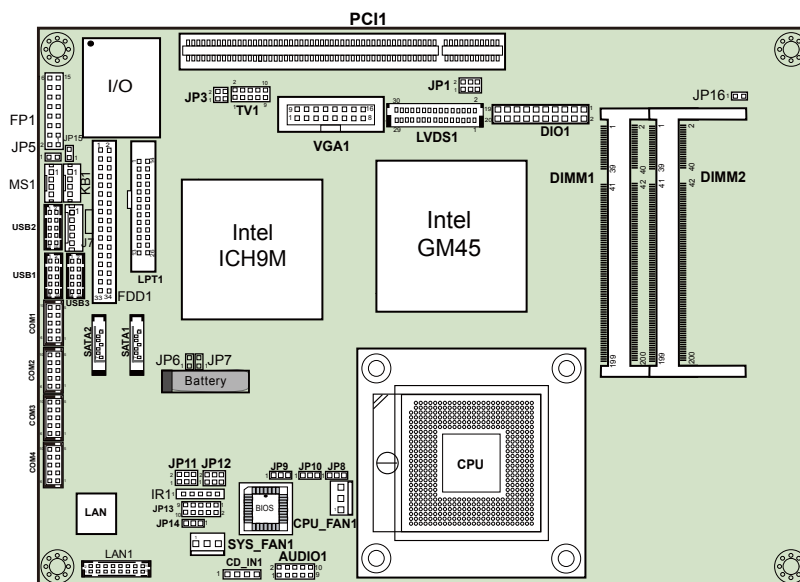
Protech Japan Co., Ltd.

OSK Bldg, 6F, 6-25-14, Minami-ohi Shinagawa-ku, Tokyo, 140-0013
TEL: +81-3-5753-8411 FAX: +81-3-3763-9282
E-mail: sam@protech-j.com
<http://www.protech-j.com>



ISO CERTIFIED
9001 14001

LB-731LF Intel® Core™ 2 Duo Embedded Board wVGA/Audio/LAN



Specifications

System

CPU Type	Socket P478 / Intel® Core™ 2 Duo Processor
CPU Frequency	1066/800/667MHz
Chipset	Intel® GM45 + ICH9M +SPI (FSB : 667MHz)
DRAM	2 x 200Pin DDR2 SO-DIMM, supports DDR2 667/800MHz up to 4GB
BIOS	Phoenix-Award PnP BIOS with 32MB size flash, with VGA BIOS
Watchdog	1~255 secs Watchdog timer selectable w/ Reset/NMI
Power Supply	Supports ATX / AT power (10 pin / 4 pin connect)
Power Requirement	+12V, +5V
Dimension	203mm x 146mm (7.99" x 5.75")

I/O Chipset

SATA Interface	2 ports
CF	1 x compact flash slot (IDE)
Expansion BUS	1 x PCI
Serial Port	4 ports, 16550 UARTs RS-232 COM 1, COM 3, COM 4 for RS-232; COM 2 for RS-232/422/485 COM 3/4 can support +5V / +12V output
Parallel Port	1 x parallel port (SPP/ EPP/ ECP)

IrDA	1 x IrDA Port; Supports v1.0 SIR protocol
Keyboard	1 x 4-pin header with mini DIN cable
Mouse	1 x 4-pin header with mini DIN cable
LAN	Single Port, Intel® 82574 (Giga LAN) Supports Wake-on-LAN
USB	6 x USB 2.0

Display

Graphic	VGA Integrated in Intel® GM45 share system memory; Supports CRT, LVDS
LCD Interface	18/24-bit dual-channel LVDS

Environment

OperationTemp.	0°~60°C (32°~140°F) (Fanless solution)
Storage Temp.	-20°~80°C (-4°~176°F)
Humidity	Operation humidity 20~90%, storage humidity 20~95%

Ordering Information

LB-731LF	5.25" S478 Core™ 2 Duo SBC w VGA / LVDS / Audio / LAN (1 x 10/100/1000Mbps)
-----------------	---

Certificate: CE, FCC, CLASS A

All of trademarks and brand names are the property of their owners. Trademark "Protech" is the property of Protech Systems Co., Ltd. All information contained in this document is subject to change without any prior notice. This catalog is copyrighted in Nov. 2009.