

“LAN-MATE” SERIES

SINGLE RJ45 CONNECTOR MODULE WITH INTEGRATED 10 BASE T MAGNETICS

P/N: LT1S021

Page : 1/2

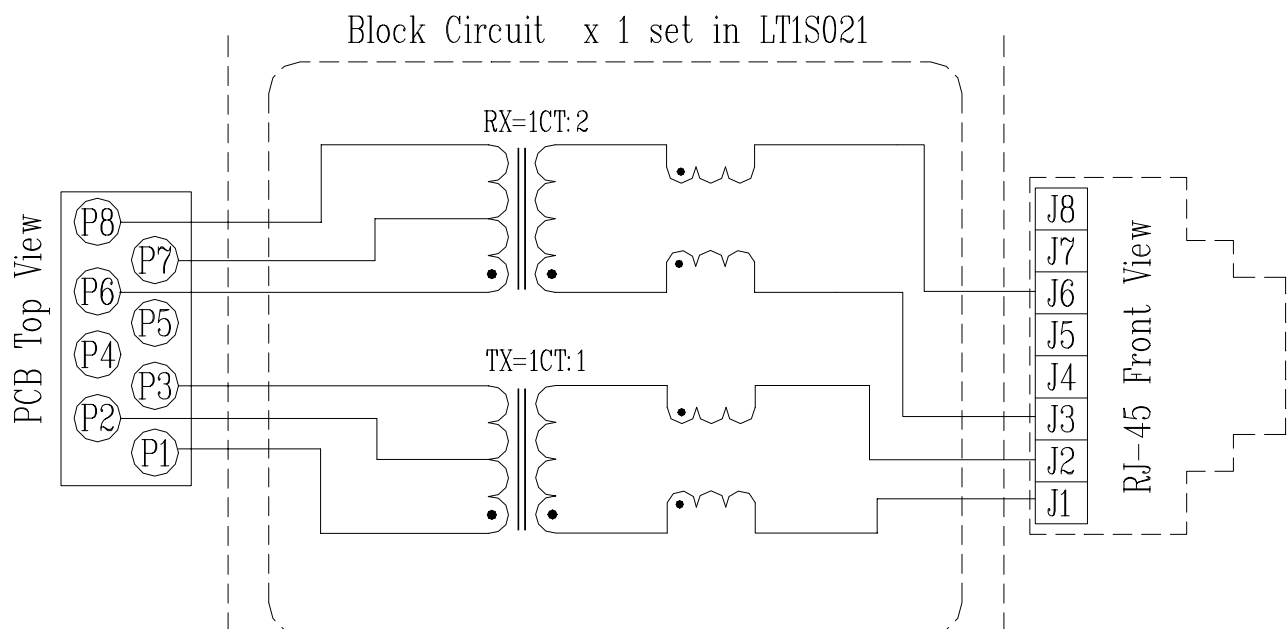
A. General Specifications

1. RJ-45 connector integrated with X'FMER/Impedance Resistor/High voltage capacitor
2. Size same as RJ-45 connector to save PCB Board space.
3. Reduce EMI radiation, Improve EMI performance.
4. Complies with IEEE802.3 standards
5. Operating temperature range : 0°C to +70°C.

B. Electrical Specifications@25°C :

- | | | | | |
|----------------------------|----------|-----|--------------------|-----------------|
| 1. Turns Ratio: | 1CT:1 | | TX | |
| | 1CT:2 | | RX | |
| 2. Inductance: | 140 uH | Min | | @100KHz/50mVrms |
| 3. Interwinding CAP: | 15 pF | Max | PRI/SEC | @100KHz/50mVrms |
| 4. Leakage Inductance: | 0.4 uH | Max | PIN1-3(16,14short) | @100KHz/50mVrms |
| | 0.4 uH | Max | PIN6-8(11,9short) | @100KHz/50mVrms |
| 5. Common Choke Inductance | 30 uH | TYP | Each Winding | @100KHz/50mVrms |
| 6. DCR : | 0.3 Ω | Max | Each Winding | |
| 7. HI-POT: | 2000Vrms | 1mA | 2Sec | PRI/SEC |

C. Schematic:

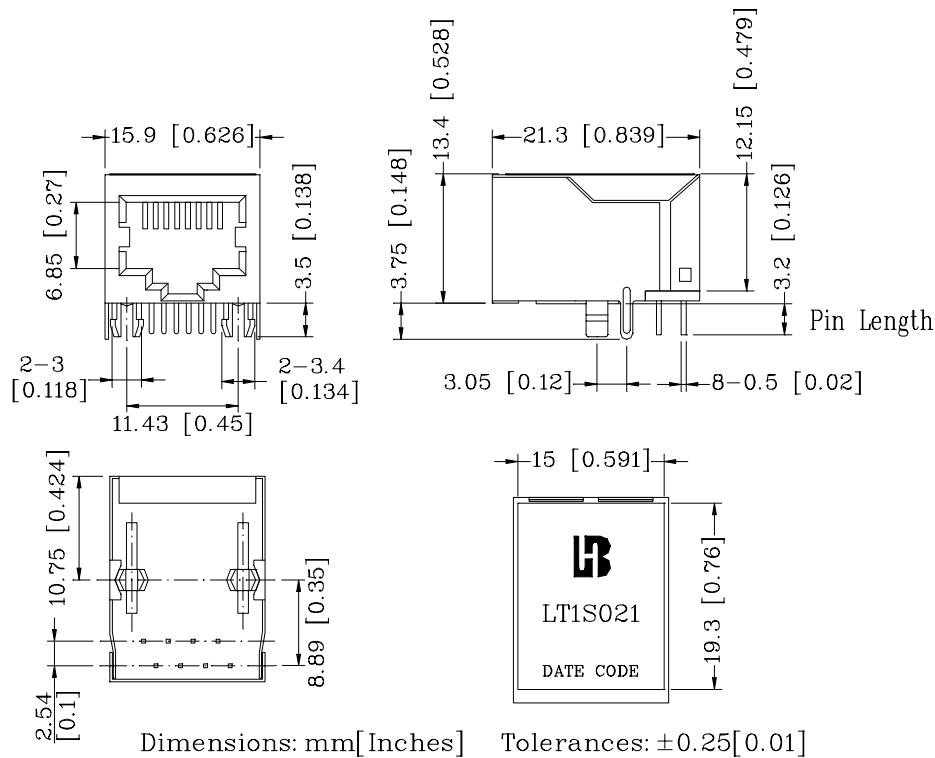


“LAN-MATE” SERIES

SINGLE RJ45 CONNECTOR MODULE WITH INTEGRATED 10 BASE T MAGNETICS

P/N: LT1S021

D. Mechanical:



1. Plastic Material : PBT 15% Glass Filled (UL 94V-0) , Black Housing
2. Metal Shield : Brass C2680-H, 20u Nickle Plated, t=0.25mm
3. Spring Wire : 0.45mm Dia. Phosphor bronze with 6u gold plated .
4. Solder Pin : 0.4x0.4mm ,Phosphor bronze with Solder plated
5. Durability : 300 Mating cycles Min .

E. PCB Layout Mounting Hole (Top View)

