

MM54HC4017/MM74HC4017 Decade Counter/Divider with 10 Decoded Outputs

General Description

The MM54HC4017/MM74HC4017 is a 5-stage Johnson counter with 10 decoded outputs that utilizes advanced silicon-gate CMOS technology. Each of the decoded outputs is normally low and sequentially goes high on the low to high transition of the clock input. Each output stays high for one clock period of the 10 clock period cycle. The CARRY output transitions low to high after OUTPUT 9 goes low, and can be used in conjunction with the CLOCK ENABLE to cascade several stages. The CLOCK ENABLE input disables counting when in the high state. A RESET input is also provided which when taken high sets all the decoded outputs low except output 0.

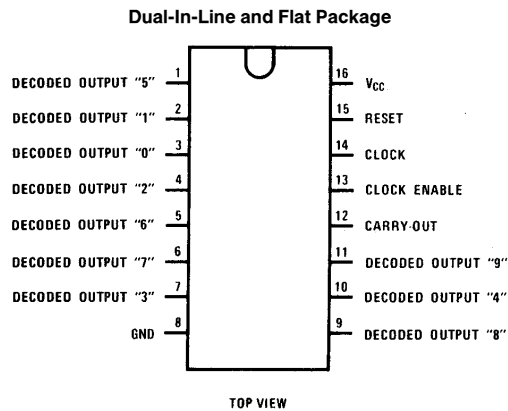
The MM54HC4017/MM74HC4017 is functionally and pinout equivalent to the CD4017BM/CD4017BC. It can drive

up to 10 low power Schottky equivalent loads. All inputs are protected from damage due to static discharge by diodes from V_{CC} and ground.

Features

- Wide power supply range: 2–6V
- Typical operating frequency: 30 MHz
- Fanout of 10 LS-TTL loads
- Low quiescent current: 80 μ A (74HC Series)
- Low input current: 1.0 μ A

Connection Diagram



TL/F/5351-1

Order Number MM54HC4017 or MM74HC4017

MM54HC4017/MM74HC4017 Decade Counter/Divider with 10 Decoded Outputs

Absolute Maximum Ratings (Notes 1 & 2)

If Military/Aerospace specified devices are required, please contact the National Semiconductor Sales Office/Distributors for availability and specifications.

Supply Voltage (V_{CC})	-0.5 to +7.0V
DC Input Voltage (V_{IN})	-1.5 to $V_{CC} + 1.5V$
DC Output Voltage (V_{OUT})	-0.5 to $V_{CC} + 0.5V$
Clamp Diode Current (I_{IK}, I_{OK})	± 20 mA
DC Output Current, per pin (I_{OUT})	± 25 mA
DC V_{CC} or GND Current, per pin (I_{CC})	± 50 mA
Storage Temperature Range (T_{STG})	-65°C to +150°C
Power Dissipation (P_D) (Note 3)	600 mW
S.O. Package only	500 mW
Lead Temperature (T_L) (Soldering 10 seconds)	260°C

Operating Conditions

	Min	Max	Units
Supply Voltage (V_{CC})	2	6	V
DC Input or Output Voltage (V_{IN}, V_{OUT})	0	V_{CC}	V
Operating Temp. Range (T_A)			
MM74HC	-40	+85	°C
MM54HC	-55	+125	°C
Input Rise or Fall Times (t_r, t_f)			
$V_{CC} = 2.0V$		1000	ns
$V_{CC} = 4.5V$		500	ns
$V_{CC} = 6.0V$		400	ns

DC Electrical Characteristics (Note 4)

Symbol	Parameter	Conditions	V_{CC}	$T_A = 25^\circ C$			Units		
				74HC		54HC			
				$T_A = -40$ to $85^\circ C$		$T_A = -55$ to $125^\circ C$			
				Guaranteed Limits					
V_{IH}	Minimum High Level Input Voltage		2.0V		1.5	1.5	V		
			4.5V		3.15	3.15	V		
			6.0V		4.2	4.2	V		
V_{IL}	Maximum Low Level Input Voltage**		2.0V		0.5	0.5	V		
			4.5V		1.35	1.35	V		
			6.0V		1.8	1.8	V		
V_{OH}	Minimum High Level Output Voltage	$V_{IN} = V_{IH}$ or V_{IL} $ I_{OUT} \leq 20 \mu A$	2.0V	2.0	1.9	1.9	V		
			4.5V	4.5	4.4	4.4	V		
			6.0V	6.0	5.9	5.9	V		
		4.5V	$V_{IN} = V_{IH}$ or V_{IL} $ I_{OUT} \leq 4.0$ mA $ I_{OUT} \leq 5.2$ mA	4.2	3.98	3.84	3.7	V	
				6.0V	5.7	5.48	5.34	5.2	V
V_{OL}	Maximum Low Level Output Voltage	$V_{IN} = V_{IH}$ or V_{IL} $ I_{OUT} \leq 20 \mu A$	2.0V	0	0.1	0.1	V		
			4.5V	0	0.1	0.1	V		
			6.0V	0	0.1	0.1	V		
		4.5V	$V_{IN} = V_{IH}$ or V_{IL} $ I_{OUT} \leq 4.0$ mA $ I_{OUT} \leq 5.2$ mA	0.2	0.26	0.33	0.4	V	
				6.0V	0.2	0.26	0.33	0.4	V
I_{IN}	Maximum Input Current	$V_{IN} = V_{CC}$ or GND	6.0V		± 0.1	± 1.0	μA		
I_{CC}	Maximum Quiescent Supply Current	$V_{IN} = V_{CC}$ or GND $I_{OUT} = 0 \mu A$	6.0V		8.0	80	160	μA	

Note 1: Absolute Maximum Ratings are those values beyond which damage to the device may occur.

Note 2: Unless otherwise specified all voltages are referenced to ground.

Note 3: Power Dissipation temperature derating — plastic "N" package: -12 mW/°C from 65°C to 85°C; ceramic "J" package: -12 mW/°C from 100°C to 125°C.

Note 4: For a power supply of 5V $\pm 10\%$ the worst case output voltages (V_{OH} , and V_{OL}) occur for HC at 4.5V. Thus the 4.5V values should be used when designing with this supply. Worst case V_{IH} and V_{IL} occur at $V_{CC} = 5.5V$ and 4.5V respectively. (The V_{IH} value at 5.5V is 3.85V.) The worst case leakage current (I_{IN} , I_{CC} , and I_{OZ}) occur for CMOS at the higher voltage and so the 6.0V values should be used.

** V_{IL} limits are currently tested at 20% of V_{CC} . The above V_{IL} specification (30% of V_{CC}) will be implemented no later than Q1, CY'89.

AC Electrical Characteristics $V_{CC}=5V, T_A=25^{\circ}C, C_L=15\text{ pF}, t_r=t_f=6\text{ ns}$

Symbol	Parameter	Conditions	Typ	Guaranteed Limit	Units
f_{MAX}	Maximum Clock Frequency	Measured with respect to carry line	50	30	MHz
t_{PHL}, t_{PLH}	Maximum Propagation Delay, Enable to Carry-Out Line		26	44	ns
t_{PHL}, t_{PLH}	Maximum Propagation Delay Enable Decode-Out Lines		27	44	ns
t_{PHL}, t_{PLH}	Maximum Propagation Delay, Reset or Clock to Decode Out		23	40	ns
t_{PHL}, t_{PLH}	Maximum Propagation Delay, Reset or Clock to Carry Out		23	40	ns
t_S	Minimum Clock Inhibit to Clock Set-Up Time		12	20	ns
t_W	Minimum Clock or Reset Pulse Width		8	16	ns
t_{REM}	Minimum Reset Removal Time		20	10	ns

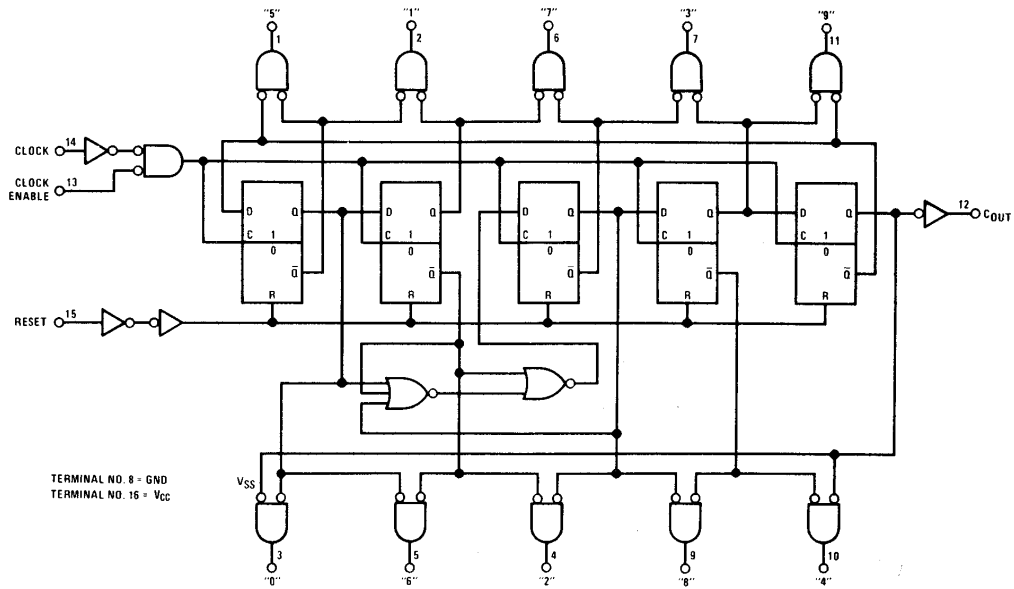
AC Electrical Characteristics $V_{CC}=2.0-6.0V, C_L=50\text{ pF}, t_r=t_f=6\text{ ns}$ (unless otherwise specified)

Symbol	Parameter	Conditions	V_{CC}	$T_A = 25^{\circ}C$			Units
				Typ	74HC $T_A = -40\text{ to }85^{\circ}C$	54HC $T_A = -55\text{ to }125^{\circ}C$	
				Guaranteed Limits			
f_{MAX}	Maximum Clock Frequency	Measured with respect to carry line	2.0V	6	5	4	MHz
			4.5V	30	24	20	MHz
			6.0V	35	28	24	MHz
t_{PHL}, t_{PLH}	Maximum Propagation Delay, Enable to Carry-Out Line		2.0V	89	250	312	ns
			4.5V	25	50	63	ns
			6.0V	20	43	54	ns
t_{PHL}, t_{PLH}	Maximum Propagation Delay, Enable to Decode Out Line		2.0V	90	250	312	ns
			4.5V	25	50	63	ns
			6.0V	20	43	54	ns
t_{PHL}, t_{PLH}	Maximum Propagation Delay, Reset or Clock to Decode Out		2.0V	82	230	288	ns
			4.5V	22	46	58	ns
			6.0V	18	39	49	ns
t_{PHL}, t_{PLH}	Maximum Propagation Delay, Reset or Clock to Carry Out		2.0V	82	230	288	ns
			4.5V	22	46	58	ns
			6.0V	18	39	49	ns
t_W	Minimum Reset, Clock, or Clock Enable Pulse Width		2.0V	30	80	100	ns
			4.5V	9	16	20	ns
			6.0V	8	14	18	ns
t_{REM}	Minimum Reset Removal Time		2.0V	100	125	150	ns
			4.5V	20	25	30	ns
			6.0V	17	21	25	ns
t_S, t_H	Minimum Clock Inhibit to Clock Set-Up or Hold Time		2.0V	50	63	75	ns
			4.5V	10	13	15	ns
			6.0V	9	11	13	ns
t_{THL}, t_{TLH}	Maximum Output Rise and Fall Time		2.0V	30	75	95	ns
			4.5V	8	15	19	ns
			6.0V	7	13	16	ns
t_r, t_f	Minimum Input Rise and Fall Time		2.0V	1000	1000	1000	ns
			4.5V	500	500	500	ns
			6.0V	400	400	400	ns
C_{PD}	Power Dissipation Capacitance (Note 5)	(per package)					pF
C_{IN}	Maximum Input Capacitance		5	10	10	10	pF

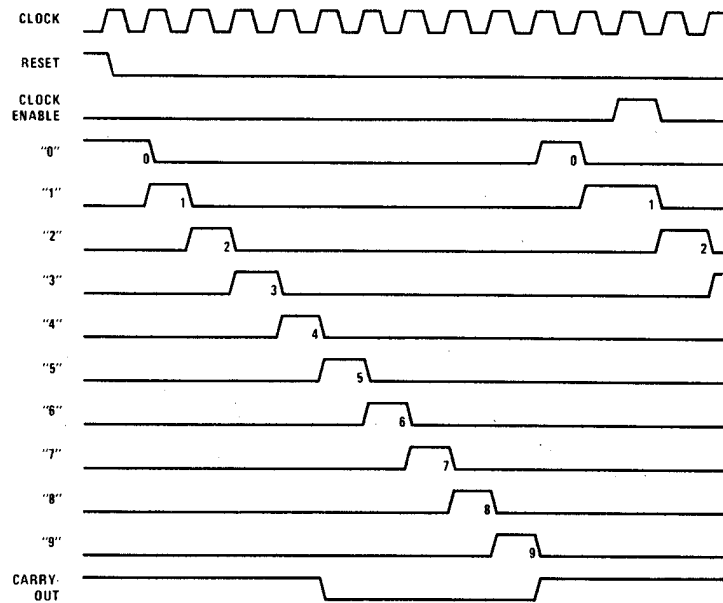
Note 5: C_{PD} determines the no load dynamic power consumption, $P_D = C_{PD} V_{CC}^2 f + I_{CC} V_{CC}$, and the no load dynamic current consumption, $I_S = C_{PD} V_{CC} f + I_{CC}$.

Logic and Timing Diagrams

MM54HC4017/MM74HC4017



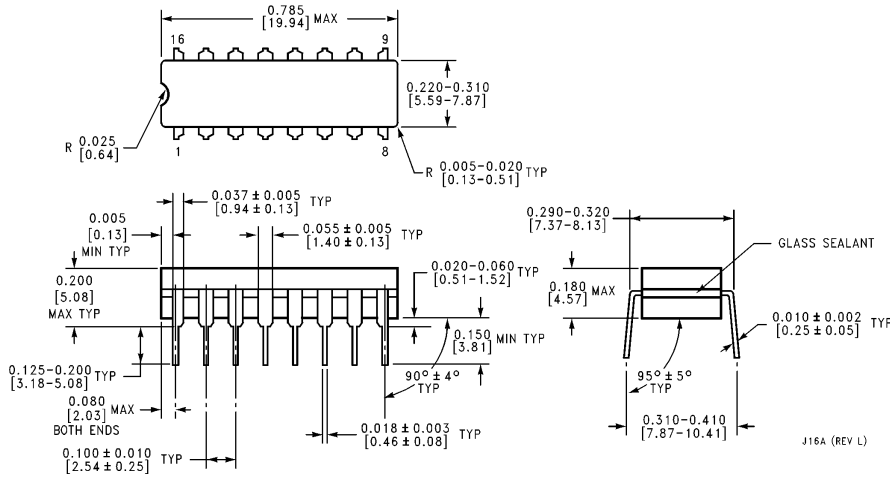
TL/F/5351-2



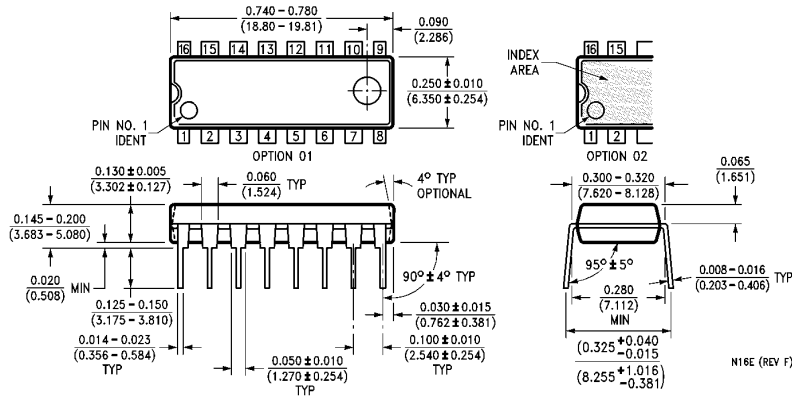
TL/F/5351-3



Physical Dimensions inches (millimeters)



Dual-In-Line and Flat Package
Order Number MM54HC4017J or MM74HC4017J,N
NS Package Number J16A



Dual-In-Line and Flat Package
Order Number MM74HC4017N
NS Package Number N16E

LIFE SUPPORT POLICY

NATIONAL'S PRODUCTS ARE NOT AUTHORIZED FOR USE AS CRITICAL COMPONENTS IN LIFE SUPPORT DEVICES OR SYSTEMS WITHOUT THE EXPRESS WRITTEN APPROVAL OF THE PRESIDENT OF NATIONAL SEMICONDUCTOR CORPORATION. As used herein:

1. Life support devices or systems are devices or systems which, (a) are intended for surgical implant into the body, or (b) support or sustain life, and whose failure to perform, when properly used in accordance with instructions for use provided in the labeling, can be reasonably expected to result in a significant injury to the user.
2. A critical component is any component of a life support device or system whose failure to perform can be reasonably expected to cause the failure of the life support device or system, or to affect its safety or effectiveness.



National Semiconductor Corporation
 1111 West Bardin Road
 Arlington, TX 76017
 Tel: (800) 272-9959
 Fax: (800) 737-7018

National Semiconductor Europe
 Fax: (+49) 0-180-530 85 86
 Email: cnjwge@tevm2.nsc.com
 Deutsch Tel: (+49) 0-180-530 85 85
 English Tel: (+49) 0-180-532 78 32
 Français Tel: (+49) 0-180-532 93 58
 Italiano Tel: (+49) 0-180-534 16 80

National Semiconductor Hong Kong Ltd.
 19th Floor, Straight Block,
 Ocean Centre, 5 Canton Rd.
 Tsimshatsui, Kowloon
 Hong Kong
 Tel: (852) 2737-1600
 Fax: (852) 2736-9960

National Semiconductor Japan Ltd.
 Tel: 81-043-299-2309
 Fax: 81-043-299-2408

National does not assume any responsibility for use of any circuitry described, no circuit patent licenses are implied and National reserves the right at any time without notice to change said circuitry and specifications.