

**PLEASE CHECK WWW.MOLEX.COM FOR LATEST PART INFORMATION**

**Part Number:** [0879779001](#)  
**Status:** **Active**  
**Description:** 1.00mm (.039") Pitch Fully Buffered DIMM Socket, Vertical, Press-Fit, 240 Circuits, 1.8V Center Voltage Key, with Plastic Locating Peg and Press-Fit Metal Pins, with Black Latches, 0.38µm (15&micro") Gold (Au) Plating, Lead-free

**Documents:**

[3D Model](#) [Product Specification PS-87977-001 \(PDF\)](#)  
[Drawing \(PDF\)](#) [RoHS Certificate of Compliance \(PDF\)](#)

**Agency Certification**

CSA LR19980  
 UL E29179

**General**

Product Family Memory Module Sockets  
 Series [87977](#)  
 Comments <LI>Latches in Black Color<LI>Solder Tail Length at 3.15mm (.124)  
 Component Type Memory Module  
 JEDEC Outline MO-256  
 Product Name FB DIMM

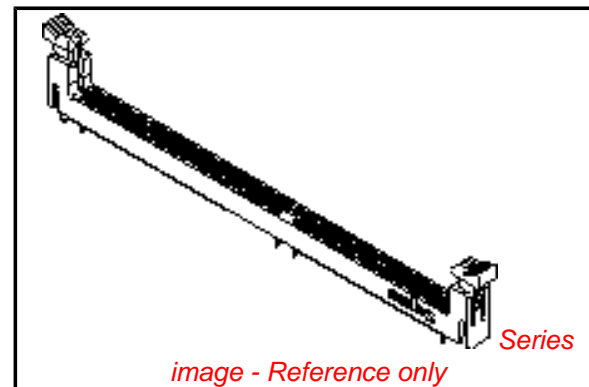
**Physical**

Circuits (Loaded) 240  
 Color - Resin Black  
 Durability (mating cycles max) 25  
 Entry Angle Vertical (Top Entry)  
 Flammability 94V-0  
 Keying to Mating Part Yes  
 Material - Metal Phosphor Bronze  
 Material - Plating Mating Gold  
 Material - Plating Termination Tin  
 Material - Resin High Temperature Thermoplastic  
 PC Tail Length (in) 0.124 In  
 PC Tail Length (mm) 3.15 mm  
 PCB Locator Yes  
 PCB Retention Yes  
 PCB Thickness Recommended (in) 0.130 In  
 PCB Thickness Recommended (mm) 3.30 mm  
 Packaging Type Tray  
 Pitch - Mating Interface (in) 0.039 In  
 Pitch - Mating Interface (mm) 1.00 mm  
 Plating min: Mating (µin) 15  
 Plating min: Mating (µm) 0.38  
 Plating min: Termination (µin) 15.2  
 Plating min: Termination (µm) 0.38  
 Temperature Range - Operating -10°C to +85°C  
 Termination Interface: Style Through Hole - Compliant Pin

**Electrical**

Current - Maximum per Contact 1A  
 Voltage - Maximum 30V  
 Voltage Key 1.8V, Center

**Material Info**



**EU RoHS**

**ELV and RoHS Compliant**  
**REACH SVHC Contains SVHC: No**  
**Halogen-Free Status**

**China RoHS**



**Need more information on product environmental compliance?**

Email [productcompliance@molex.com](mailto:productcompliance@molex.com)  
 For a multiple part number RoHS Certificate of Compliance, [click here](#)

Please visit the [Contact Us](#) section for any non-product compliance questions.

**Search Parts in this Series**

[87977Series](#)

**Mates With**

JEDEC MO-256 modules

**Reference - Drawing Numbers**

Product Specification  
Sales Drawing

PS-87977-001  
SD-87977-020

This document was generated on 06/08/2010

**PLEASE CHECK [WWW.MOLEX.COM](http://WWW.MOLEX.COM) FOR LATEST PART INFORMATION**

10 9 8 7 6 5 4 3 2 1

F

E

D

C

B

A

F

E

D

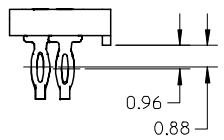
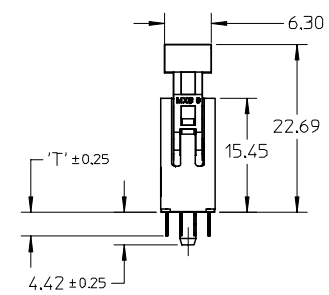
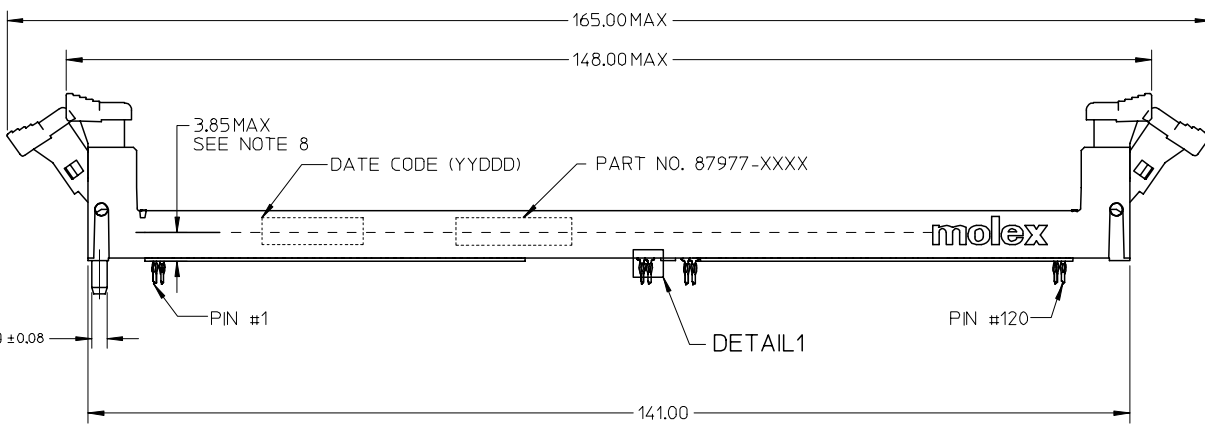
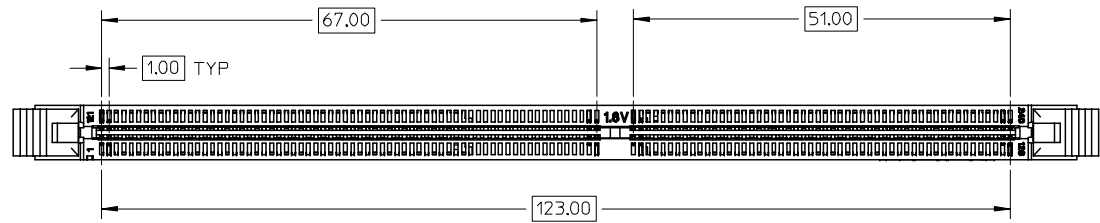
C

B

A

NOTES:

1. MATERIALS  
 HOUSING - HIGH TEMP. NYLON, GLASS FILLED, UL 94V-0, BLACK  
 EJECTOR - HIGH TEMP. NYLON, GLASS FILLED, UL 94V-0, NATURAL  
 BASE PLATE - HIGH TEMP. NYLON, GLASS FILLED, UL 94V-0  
 TERMINAL - COPPER ALLOY
2. PLATING - SEE TABLE IN SHEET 5.
3. CARD SLOT ACCEPTS 1.27±0.10 MM MODULE THICKNESS.  
 (MEASURED OVER P.C. PADS)
4. RECOMMENDED MODULE LAYOUT SHALL BE AS PER JEDEC MO-14-066.
5. REFER TO PRODUCT SPEC. PS-87977-030 FOR PERFORMANCE SPECIFICATIONS.
6. PRODUCT SHALL BE PACKED IN TRAY.
7. PRODUCT SHALL HAVE DATE CODE STAMPED ON SIDE OF HOUSING.
8. PRODUCT IS SUITABLE FOR WAVE SOLDERING ONLY.
9. KEEP OUT AREA IS THE AREA WHERE THE CONNECTOR IS MOUNTED ONTO THE PCB WHICH DOES NOT INCLUDE THE LATCH.
10. REFER TO CRITICAL JEDEC INFORMATION FOR SOCKET OUTLINE PER S0-001.
11. DIMM MODULE SEATING PLANE FROM TOP OF PCB.
12. CONTACT MOLEX FOR AVAILABILITY OF PRODUCT OPTIONS.



DETAIL 1

EC NO: S2006-0241	2005/09/01	2005/09/01	2005/09/02
DRWN: CCTE	CHKD: SRRAMESH	APPR: GGLEE	
A			

QUALITY SYMBOLS	DESCRIPTION
▽=0	
∇=0	

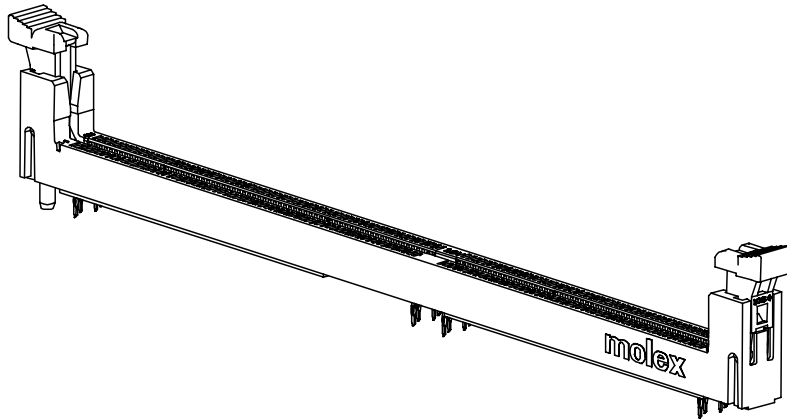
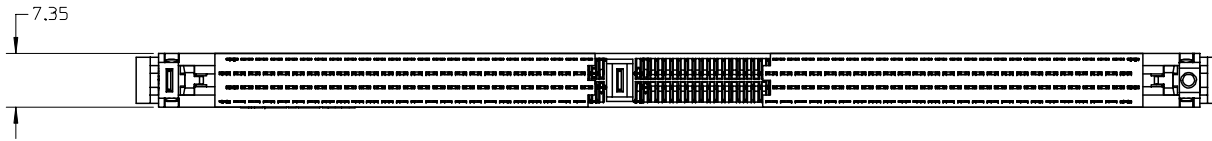
GENERAL TOLERANCES (UNLESS SPECIFIED)	
	mm INCH
4 PLACES	± --- ± ---
3 PLACES	± --- ± ---
2 PLACES	± 0.20 ± ---
1 PLACE	± --- ± ---
ANGULAR ± 5 °	
DRAFT WHERE APPLICABLE MUST REMAIN WITHIN DIMENSIONS	

DIMENSION STYLE	
MM ONLY	
DRAWN BY	DATE
CCTE	2005/01/10
CHECKED BY	DATE
SRRAMESH	2005/08/30
APPROVED BY	DATE
GGLEE	2005/08/30
MATERIAL NO.	DOCUMENT NO.
SEE TABLE	SD-87977-020

SCALE	DESIGN UNITS	THIRD ANGLE PROJECTION
NTS	METRIC	
SALES DRAWING		
DDR FB DIMM 1.00MM PITCH		
240 CKTS VERT. PRESS-FIT		
MOLEX INCORPORATED		
MATERIAL NO.	DOCUMENT NO.	SHEET NO.
SEE TABLE	SD-87977-020	1 OF 5
THIS DRAWING CONTAINS INFORMATION THAT IS PROPRIETARY TO MOLEX INCORPORATED AND SHOULD NOT BE USED WITHOUT WRITTEN PERMISSION		

9 8 7 6 5 4 3 2 1

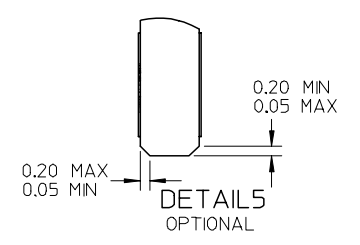
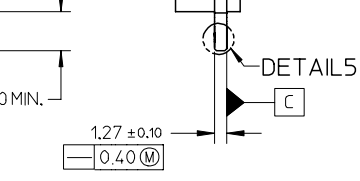
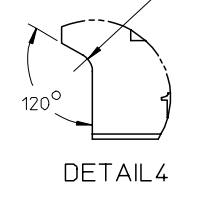
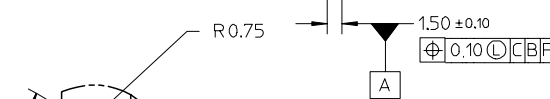
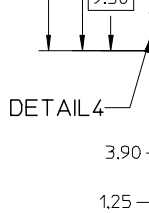
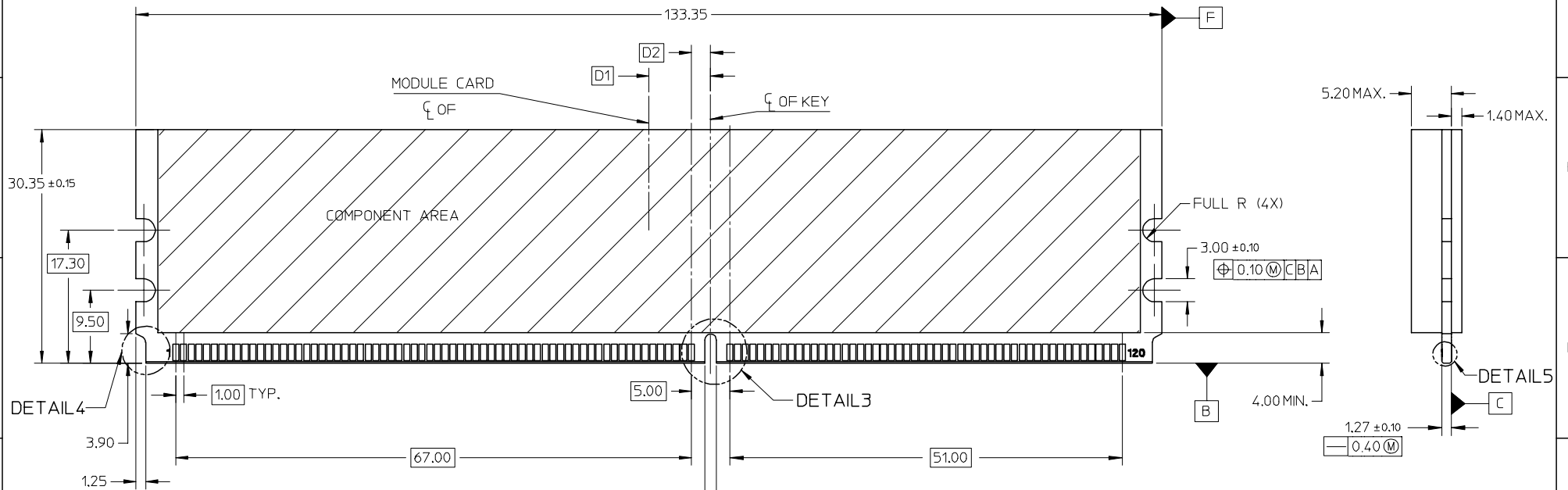
10 9 8 7 6 5 4 3 2 1



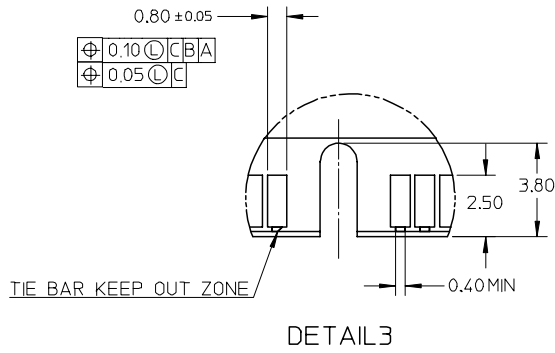
EC NO: S2006-0241 2005/09/01 DRWN: CCTEH 2005/09/01 CHKD: SRRAMESH 2005/09/01 APPR: GGLEE 2005/09/02	DESCRIPTION REV	QUALITY SYMBOLS ▽=0 ▽=0	GENERAL TOLERANCES (UNLESS SPECIFIED)		DIMENSION STYLE MM ONLY		SCALE NTS	DESIGN UNITS METRIC	THIRD ANGLE PROJECTION		
			4 PLACES ± ---    ± --- 3 PLACES ± ---    ± --- 2 PLACES ± 0.20    ± --- 1 PLACE ± ---    ± ---	mm    INCH	DRAWN BY CCTEH	DATE 2005/01/10	TITLE SALES DRAWING DDR FB DIMM 1.00MM PITCH 240 CKTS VERT. PRESS-FIT				
			ANGULAR ± 5 °	APPROVED BY GGLEE	DATE 2005/08/30	MOLEX INCORPORATED					
			DRAFT WHERE APPLICABLE MUST REMAIN WITHIN DIMENSIONS	MATERIAL NO. SEE TABLE	DOCUMENT NO. SD-87977-020	SHEET NO. 2 OF 5					

9 8 7 6 5 4 3 2 1

RECOMMENDED MODULE LAYOUT  
(VARIATION AB, AS PER JEDEC MO-256A)



KEY LOCATION	VOLTAGE	DIM 'D2'	DIM 'D1'
CENTER	1.8V	2.50	8.00



EC NO: S2006-0241	2005/09/01	QUALITY SYMBOLS
DRWN: CTEH	2005/09/01	▽=0
CHKD: SRRAMESH	2005/09/01	▽=0
APPR: GGLEE	2005/09/02	
REV	DESCRIPTION	
A		

GENERAL TOLERANCES (UNLESS SPECIFIED)	
	ANGULAR ± 5 °
4 PLACES	± ---
3 PLACES	± ---
2 PLACES	± 0.20
1 PLACE	± ---
DRAFT WHERE APPLICABLE MUST REMAIN WITHIN DIMENSIONS	

DIMENSION STYLE	
MM ONLY	
DRAWN BY	DATE
CTEH	2005/01/10
CHECKED BY	DATE
SRRAMESH	2005/08/30
APPROVED BY	DATE
GGLEE	2005/08/30
MATERIAL NO.	SEE TABLE
SIZE	A3

SCALE	NTS	DESIGN UNITS	METRIC	THIRD ANGLE PROJECTION
SALES DRAWING DDR FB DIMM 1.00MM PITCH 240 CKTS VERT. PRESS-FIT				
MOLEX INCORPORATED				SHEET NO. 3 OF 5
DOCUMENT NO. SD-87977-020				

10 9 8 7 6 5 4 3 2 1

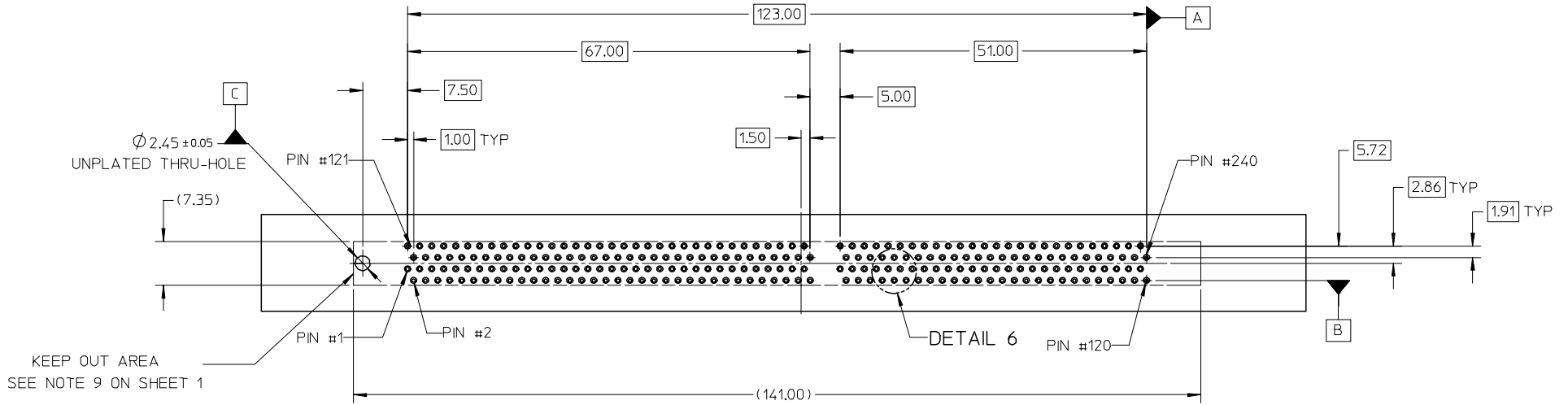
F

F

RECOMMENDED PCB HOLE PATTERN  
SEE TABLE IN SHEET 5 FOR  
RECOMMENDED PCB THICKNESS

E

E

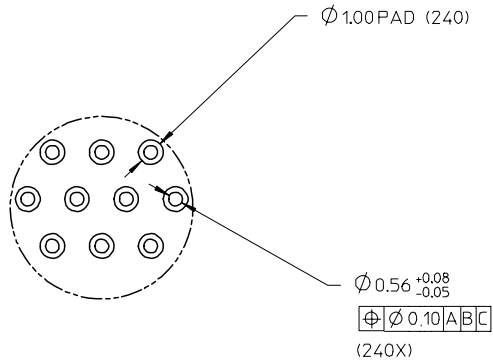


D

D

C

C



DETAIL 6

B

B

A

A

EC NO: S2006-0241 DRWN: CTEH 2005/09/01 CHKD: SRRAMESH 2005/09/01 APPR: GGLEE 2005/09/02	QUALITY SYMBOLS	GENERAL TOLERANCES (UNLESS SPECIFIED) <table border="1"> <thead> <tr> <th></th> <th>mm</th> <th>INCH</th> </tr> </thead> <tbody> <tr> <td>4 PLACES</td> <td>± ---</td> <td>± ---</td> </tr> <tr> <td>3 PLACES</td> <td>± ---</td> <td>± ---</td> </tr> <tr> <td>2 PLACES</td> <td>± 0.20</td> <td>± ---</td> </tr> <tr> <td>1 PLACE</td> <td>± ---</td> <td>± ---</td> </tr> <tr> <td colspan="3">ANGULAR ± 5 °</td> </tr> </tbody> </table>		mm	INCH	4 PLACES	± ---	± ---	3 PLACES	± ---	± ---	2 PLACES	± 0.20	± ---	1 PLACE	± ---	± ---	ANGULAR ± 5 °			DIMENSION STYLE	SCALE	DESIGN UNITS	THIRD ANGLE PROJECTION
			mm	INCH																				
	4 PLACES		± ---	± ---																				
	3 PLACES		± ---	± ---																				
2 PLACES	± 0.20	± ---																						
1 PLACE	± ---	± ---																						
ANGULAR ± 5 °																								
	MM ONLY	NTS	METRIC	DRAWN BY: CTEH DATE: 2005/01/10 CHECKED BY: SRRAMESH DATE: 2005/08/30 APPROVED BY: GGLEE DATE: 2005/08/30																				
	DRAFT WHERE APPLICABLE MUST REMAIN WITHIN DIMENSIONS	SEE TABLE	MOLEX INCORPORATED DOCUMENT NO. SD-87977-020		SHEET NO. 4 OF 5																			
			THIS DRAWING CONTAINS INFORMATION THAT IS PROPRIETARY TO MOLEX INCORPORATED AND SHOULD NOT BE USED WITHOUT WRITTEN PERMISSION																					

9 8 7 6 5 4 3 2 1

10 9 8 7 6 5 4 3 2 1

PART NO.	KEY POS.	DIM 'T'	RECOMEMDED PCB THICKNESS	PLATING OPTION	LATCH COLOR
87977-0021	CENTER (1.8V)	3.15	3.30	0.38uM / 15 uIN MIN. GOLD ON CONTACT, 1.52uM/ 60uIN MIN. PURE TIN ON SOLDERTAILS, 1.27uM/ 50uIN MIN. NICKEL UNDERPLATE	NATURAL
87977-0051				0.76uM / 30 uIN MIN. GOLD ON CONTACT, 1.52uM/ 60uIN MIN. PURE TIN ON SOLDERTAILS, 1.27uM/ 50uIN MIN. NICKEL UNDERPLATE	
87977-9001				0.38uM / 15 uIN MIN. GOLD ON CONTACT, 1.52uM/ 60uIN MIN. TIN ON SOLDERTAILS, 1.27uM/ 50uIN MIN. NICKEL UNDERPLATE	BLACK

EC NO: S2006-0241 2005/09/01 DRWN:CTEH 2005/09/01 CHKD:SRAMESH 2005/09/02 APPR:GGLLEE	DESCRIPTION REV	QUALITY SYMBOLS	GENERAL TOLERANCES (UNLESS SPECIFIED) mm INCH 4 PLACES ± --- ± --- 3 PLACES ± --- ± --- 2 PLACES ± 0.20 ± --- 1 PLACE ± --- ± --- ANGULAR ± 5 °	DIMENSION STYLE	SCALE	DESIGN UNITS	THIRD ANGLE PROJECTION
		MM ONLY		NTS	METRIC		
		DRAWN BY		DATE	TITLE		
		CTEH		2005/01/10	SALES DRAWING DDR FB DIMM 1.00MM PITCH 240 CKTS VERT. PRESS-FIT		
		APPROVED BY	DATE	MOLEX INCORPORATED			
		GGLLEE	2005/08/30	MATERIAL NO.	DOCUMENT NO.	SHEET NO.	
				SEE TABLE	SD-87977-020	5 OF 5	
			DRAFT WHERE APPLICABLE MUST REMAIN WITHIN DIMENSIONS	THIS DRAWING CONTAINS INFORMATION THAT IS PROPRIETARY TO MOLEX INCORPORATED AND SHOULD NOT BE USED WITHOUT WRITTEN PERMISSION			

9 8 7 6 5 4 3 2 1