

PLEASE CHECK WWW.MOLEX.COM FOR LATEST PART INFORMATION

Part Number: [0522711479](#)
Status: **Active**
Overview:
Description: 1.00mm (.039") Pitch FFC/FPC Connector, Right Angle, SMT, ZIF, Bottom Contact Style, 14 Circuits, Lead-free, High Barrier Packaging

Agency Certification

CSA LR19980
 UL E29179

General

Product Family FFC/FPC Connectors
 Series 52271
 Overview ffc_fpc_smt
 Product Name N/A

Physical

Circuits (Loaded) 14
 Color - Resin Natural
 Contact Position Bottom
 Durability (mating cycles max) 30
 Entry Angle 90° Angle
 Flammability 94V-0
 Mated Height (in) 0.118 In
 Mated Height (mm) 3.00 mm
 Material - Metal Phosphor Bronze
 Material - Plating Mating Tin-Bismuth
 Material - Plating Termination Tin-Bismuth
 Material - Resin Nylon
 Number of Rows 1
 Orientation Right Angle
 PCB Locator No
 PCB Retention Yes
 Packaging Type Embossed Tape on Reel
 Pitch - Mating Interface (in) 0.039 In
 Pitch - Mating Interface (mm) 1.00 mm
 Polarized to PCB Yes
 Stackable No
 Temperature Range - Operating -40°C to +85°C
 Termination Interface: Style Surface Mount
 Wire/Cable Type FFC/FPC

Electrical

Current - Maximum per Contact 0.5A
 Voltage - Maximum 50V AC (RMS)/DC

Material Info

Reference - Drawing Numbers

Application Specification AS-52271-001
 Packaging Specification SPK-52271-001, SPK-52271-002
 Product Specification PS-52271-053, RPS-52271-066, RPS-52271-067,
 RPS-52271-069, RPS-52271-070, RPS-52271-072,
 RPS-52271-073, RPS-52271-075, RPS-52271-080,
 RPS-52271-085, RPS-52271-087, RPS-52271-091
 Sales Drawing SD-52271-036, SD-52271-037

EU RoHS
ELV and RoHS
Compliant
REACH SVHC
Contains SVHC: No
Halogen-Free
Status
Not Halogen-Free

China RoHS



Need more information on product environmental compliance?

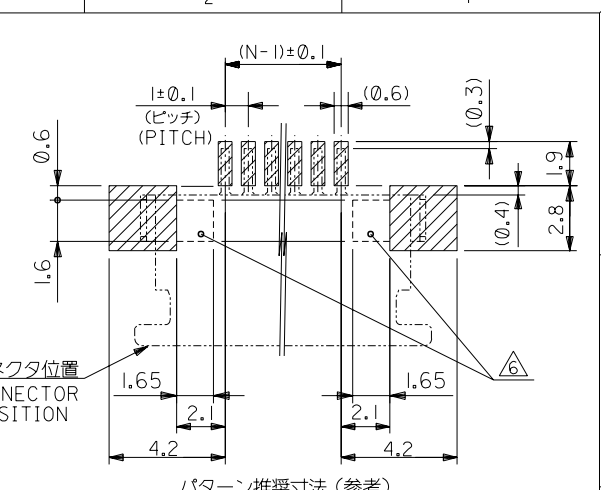
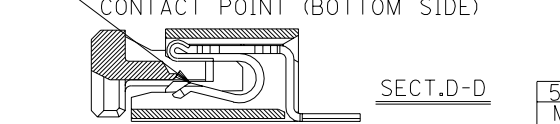
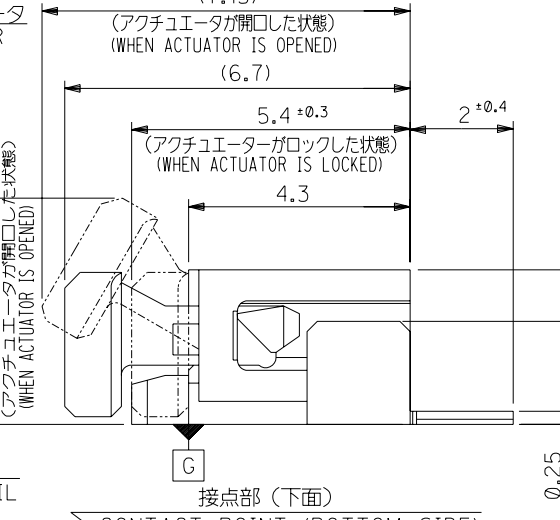
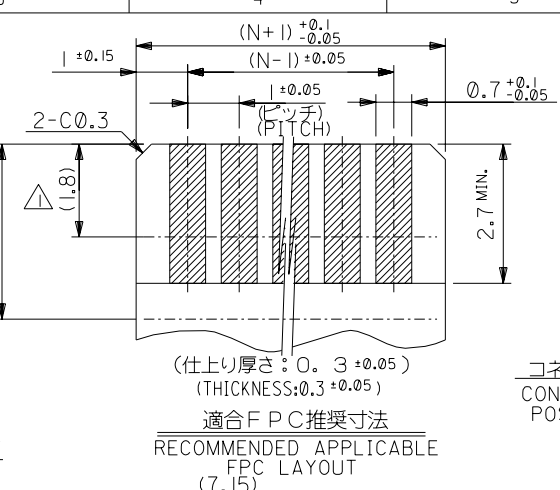
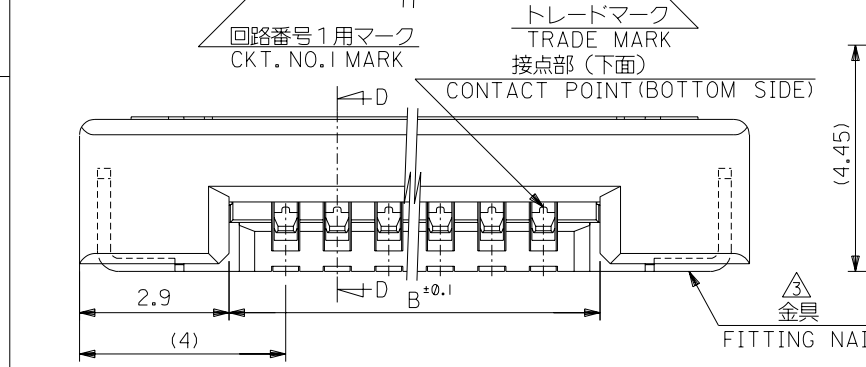
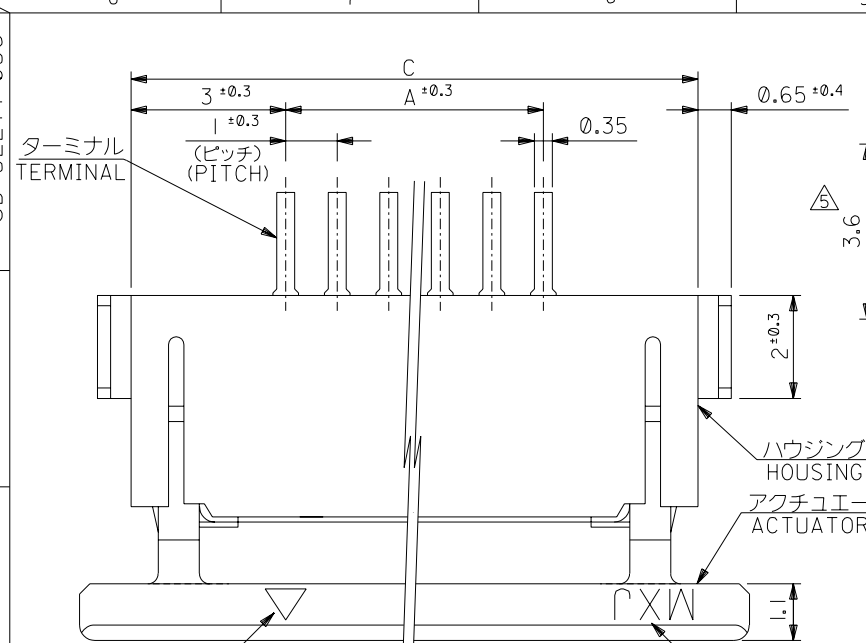
Email productcompliance@molex.com
 For a multiple part number RoHS Certificate of Compliance, [click here](#)

Please visit the [Contact Us](#) section for any non-product compliance questions.

Search Parts in this Series
[52271Series](#)

This document was generated on 06/04/2010

PLEASE CHECK WWW.MOLEX.COM FOR LATEST PART INFORMATION



パターン推奨寸法 (参考) RECOMMENDED PATTERN DIM. (REF.)

35	31.2	29	52271-3019	30
34	30.2	28	-2919	29
33	29.2	27	-2819	28
32	28.2	26	-2719	27
31	27.2	25	-2619	26
30	26.2	24	-2519	25
29	25.2	23	-2419	24
28	24.2	22	-2319	23
27	23.2	21	-2219	22
26	22.2	20	-2119	21
25	21.2	19	-2019	20
24	20.2	18	-1919	19
23	19.2	17	-1819	18
22	18.2	16	-1719	17
21	17.2	15	-1619	16
20	16.2	14	-1519	15
19	15.2	13	-1419	14
18	14.2	12	-1319	13
17	13.2	11	-1219	12
16	12.2	10	-1119	11
15	11.2	9	-1019	10
14	10.2	8	-0919	9
13	9.2	7	-0819	8
12	8.2	6	-0719	7
11	7.2	5	-0619	6
10	6.2	4	-0519	5
9	5.2	3	52271-0419	4

52271-**-19	C	B	A	52271-0419	極数 CKT.
MODEL NO.				MATERIAL NO.	

角度 ANGLE	±3°				
30以上 OVER	+0.3	B	変更 REVISIED	(2004-3551)	H.K. K.S. 04/04/02
10以上 OVER 30未満 UNDER	+0.25	A	変更 REVISIED	(2004-3371)	H.K. K.S. 04/03/29
10未満 UNDER	+0.2	①	新規作成 RELEASED	(2004-3059)	H.K. K.S. 04/03/12
一般公差 GENERAL TOLERANCES		記号 LTR	変更内容 REVISION RECORD	DR. CHK.	日付 DATE

材料 MATERIAL	注記参照 SEE NOTES
仕上げ FINISH	注記参照 SEE NOTES
適用電線範囲 WIRE RANGE	—
被覆外径 INS. RANGE	—
DRAWN BY '04/03/12 H.KAWABATA	CHK'D BY '04/03/12 K.TOJO
APP'D BY '04/03/12 M.SASAO	尺度 SCALE

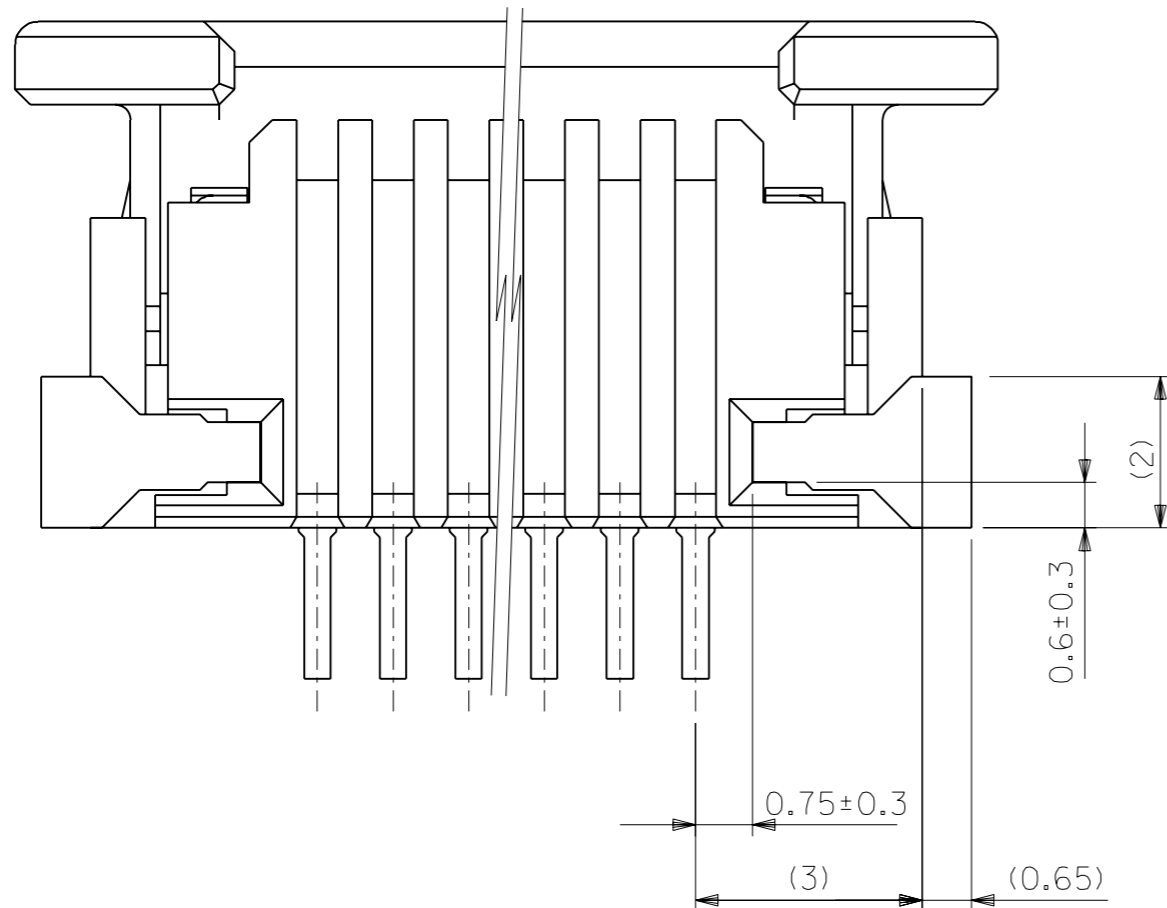
molex MOLEX-JAPAN CO.,LTD.
日本モレックス株式会社

REVISE ONLY ON CAD SYSTEM

TITLE 名称
1.0 FPC CONN. Z.I.F. SMT (BOTTOM CONTACT)

-LEAD FREE-

DWG. NO. (SHEET 1 OF 2) REV B
SD-52271-036



下面図

注記 NOTES

- ① 接点部までの嵌合長さ。
LENGTH TO CONTACT POINT.
2. 使用材料 MATERIAL
ハウジング : 46ナイロン, UL94V-0
HOUSING : 46NYLON, UL94V-0
アクチュエータ : PPS, UL94V-0
ACTUATOR : PPS, UL94V-0
ターミナル : リン青銅 (t=0.25)
TERMINAL : PHOS-BRO.(t=0.25)
メッキ : 錫ビスマスメッキ 1.0マイクロメートル以上
PLATING : TIN-BISMUTH 1.0 MICROMETER MINIMUM
 : ニッケル下地 1.0マイクロメートル以上
 PLATING : NICKEL(UNDER PLATING)1.0 MICROMETER MINIMUM
金具 : 銅合金 (t=0.25)
FITTING NAIL : COPPER ALLOY (t=0.25)
メッキ : 錫メッキ 1.0マイクロメートル以上
PLATING : TIN 1.0 MICROMETER MINIMUM
 : ニッケル下地 1.0マイクロメートル以上
 PLATING : NICKEL(UNDER PLATING) 1.0 MICROMETER MINIMUM
- ③ パターンはくり止め用金具
FITTING NAIL FOR PREVENTION OF PEELING OF P.C.B.PATTERN.
4. エンボステープ梱包時は、アクチュエータがロックした状態とする。
WHEN CONNECTOR IS SHIPED, ACTUATOR SHOULD BE LOCKED.
- ⑤ FPC挿入深さ。
INSERTION DEPTH OF FPC
- ⑥ パターン書き込み禁止エリア。
NO FOOT PRINT AREA.
7. 本製品は52271-**-17の鉛フリー品である。
THIS PRODUCT IS LEAD FREE OF 52271-**-17.

FPCについて:

打抜き方向は導体側から補強板側を推奨致します。
補強フィルム材質はポリイミドを推奨致します。
接着剤は熱硬化接着剤を推奨致します。

ABOUT FPC:
RECOMMENDED PUNCHER DIRECTION :FROM CONDUCTOR SIDE TO STIFFENER BOARD SIDE.
RECOMMENDED MATERIAL :
STIFFENER FILM :POLYIMIDE
BONDING AGENT :THERMOSETTING BONDING AGENT

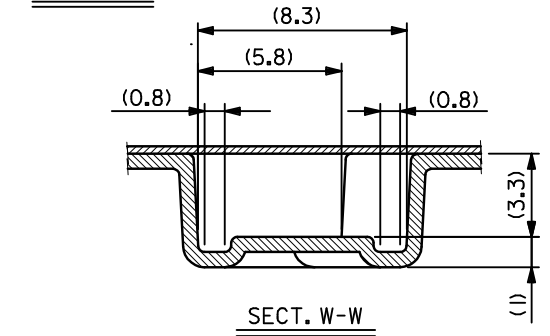
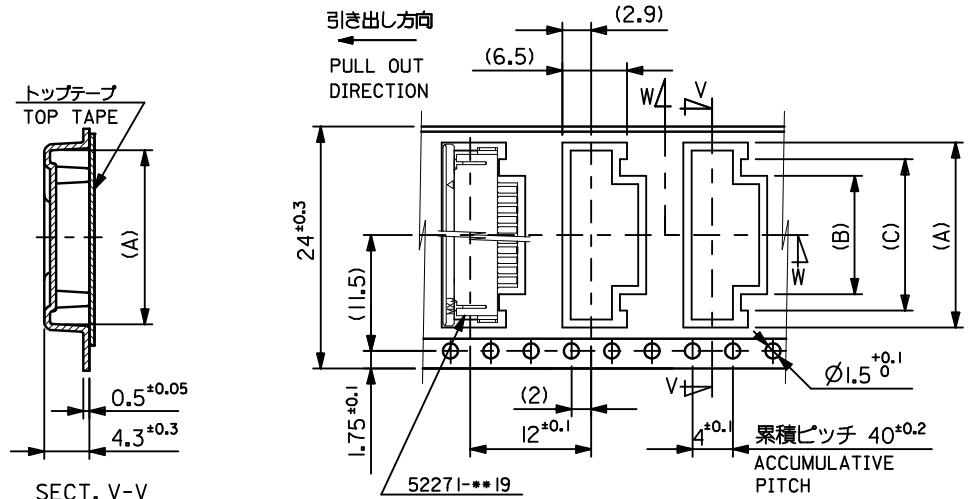
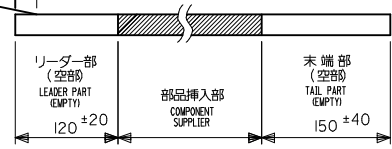
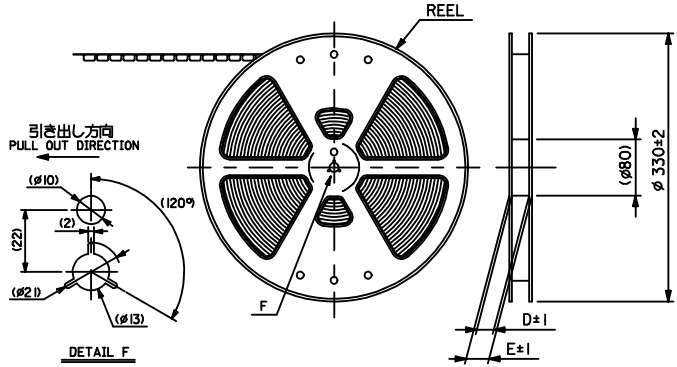
MODEL NO. 52271-**-19

材料 MATERIAL		注記参照 SEE NOTES		MOLEX-JAPAN CO.,LTD. 日本モレックス株式会社	
仕上げ FINISH		注記参照 SEE NOTES		REVISE ONLY ON CAD SYSTEM	
適用電線範囲 WIRE RANGE		—//—		TITLE 名称 I.O FPC CONN. Z.I.F. SMT (BOTTON CONTACT) -LEAD FREE-	
被覆外径 INS. RANGE		—//—		DRAWN BY '04/03/12 H.KAWABATA CHK'D BY '04/03/12 K.TOJO	
角度 ANGLE		±3°		DWG. NO. (SHEET 2 OF 2) REV SD-52271-036 B	
30 以上 OVER		±0.3		DR. 日付 CHK. DATE	
10 以上 30 未満 OVER UNDER		±0.25		APP'D BY '04/03/12 尺度 M.SASAO SCALE —//—	
10 未満 UNDER		±0.2			
一般公差 GENERAL TOLERANCES		記号 LTR		変更内容 REVISION RECORD	

NOTES

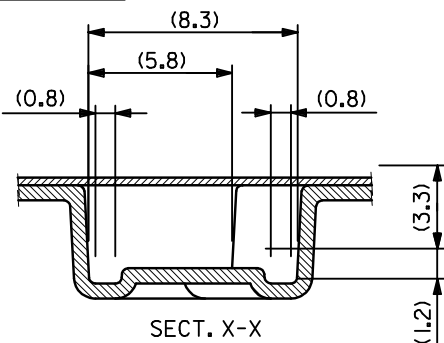
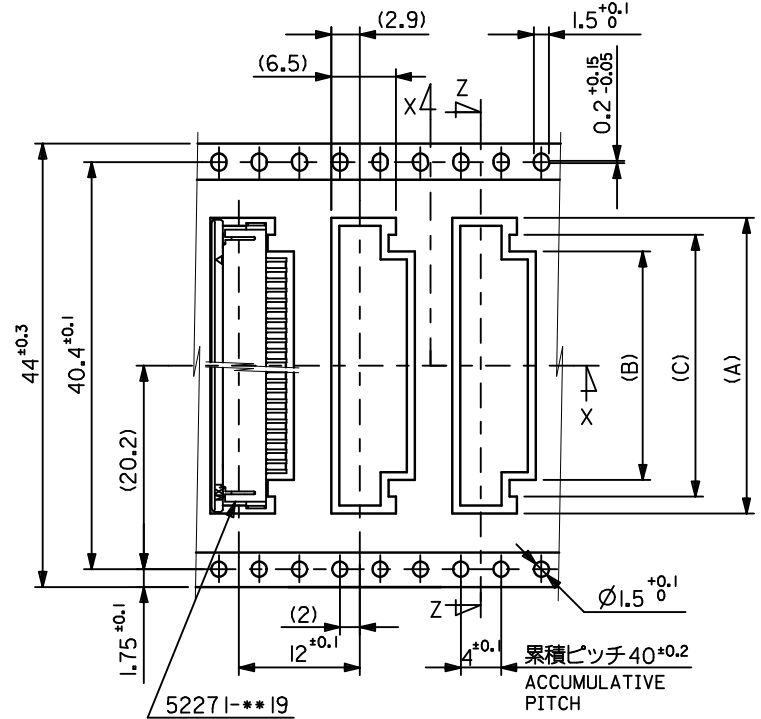
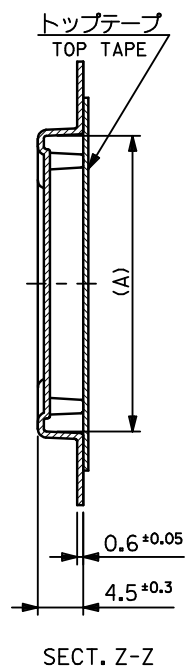
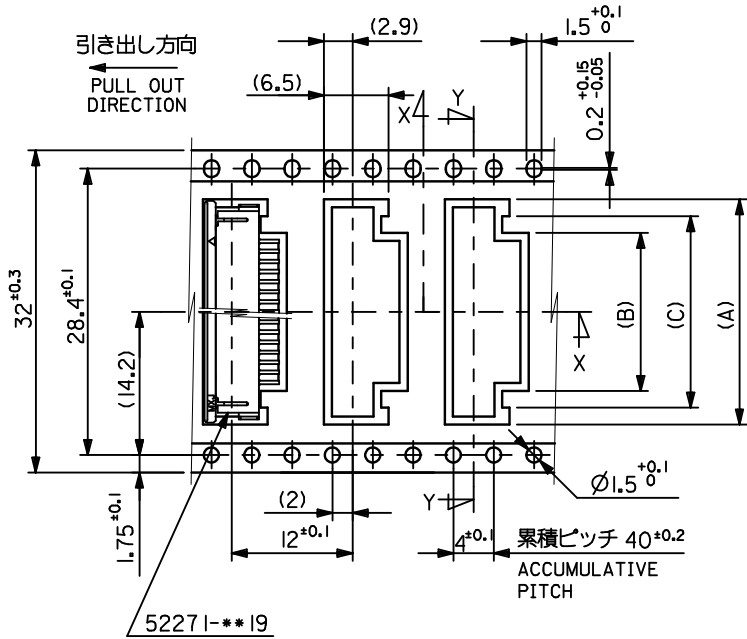
- 製品番号 52271-**-19 の梱包状態はアクチュエータがロックした状態とする。
IN THE PACKAGE, ACTUATOR OF PART NO. 52271-**-19 SHOULD BE LOCKED RE DETAILED DIMENSIONS, SEE SD-52271-036.
- 梱包数量: 1000個/リール
NUMBER OF CONNECTORS: 1000 PCS/REEL
- リードテープ長さ LEAD TAPE LENGTH

トップテープ リーダー部 TOP TAPE LEADER PART	トップテープ 未接着部 TOP TAPE NON-BONDED PART
175 ±25	25 ±5
- トップテープの剥離強度: 0.1~1.3N (10~130gf) (剥離方向は下図参照)
尚、本規格値は、出荷時に適用。(但し、輸送時に剥離が発生しない事。)
PEELING OFF FORCE OF TOP TAPE: 0.1~1.3N (10~130gf)
(PEELING DIRECTION AS SHOWN IN FOLLOWING FIG.)
THIS REQUIREMENT SHOULD BE APPLIED AT SHIPMENT
PEEL OFF SHOULD NOT BE ALLOWED, DURING TRANSPORTATION
- 材料 (MATERIAL)
キャリアテープ (CARRIER TAPE): ポリプロピレン (POLYPROPYLENE)
トップテープ (TOP TAPE): PET, PE, PEF
リール (REEL): ポリスチレン (PS) <リサイクル材を含む>
POLYSTYRENE (PS) <RECYCLE MATERIAL CONTAINED>
- 本製品は52271-**-19の鉛フリー品である。
THIS PRODUCT IS LEAD FREE OF 52271-**-19.
- 本製品は乾燥剤入り、ハイバリア梱包仕様である。
THIS PRODUCT IS HIGH BARRIER PACKAGE WITH DESICCANT.



24	29.4	25.4	15	11.4	18.3	52271-1179	11		
			14	10.4	17.3	-1079	10		
			13	9.4	16.3	-0979	9		
			12	8.4	15.3	-0879	8		
			11	7.4	14.3	-0779	7		
			10	6.4	13.3	-0679	6		
			9	5.4	12.3	-0579	5		
			8	4.4	11.3	52271-0479	4		
MODEL NO.	52271-**-19	CARRIER TAPE WIDTH	E	D	(C)	(B)	(A)	MATERIAL NO.	種数 CKT.

REVISED EC NO: J2009-2061 DRWN:TKON 2009/05/20 CHKD:HMATSUMOTO 2009/05/21 APPR:NIKI ITA 2009/05/21	DESCRIPTION	GENERAL TOLERANCES (UNLESS SPECIFIED)		DIMENSION STYLE MM ONLY		SCALE ---	DESIGN UNITS METRIC	THIRD ANGLE PROJECTION		
		10 UNDER	±0.2	DRAWN BY H. KAWABATA	DATE 2004/03/12	TITLE EMBOSSED TAPE PACKAGE FOR 52271-**-19 -LEAD FREE-				
		10 OVER 30 UNDER	±0.25	CHECKED BY K. TOJO	DATE 2004/03/12	MOLEX INCORPORATED				
		30 OVER	±0.3	APPROVED BY M. SASAO	DATE 2004/03/12	SEE TABLE SD-52271-037				
A	REV	ANGULAR ±3		DRAFT WHERE APPLICABLE MUST REMAIN WITHIN DIMENSIONS		MATERIAL NO.		DOCUMENT NO.		SHEET NO. 1 OF 3



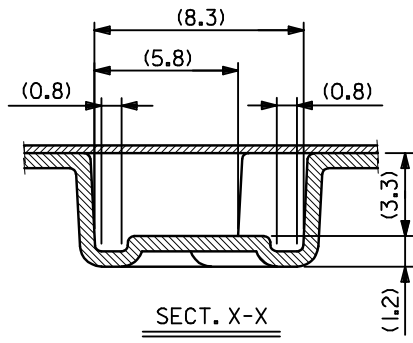
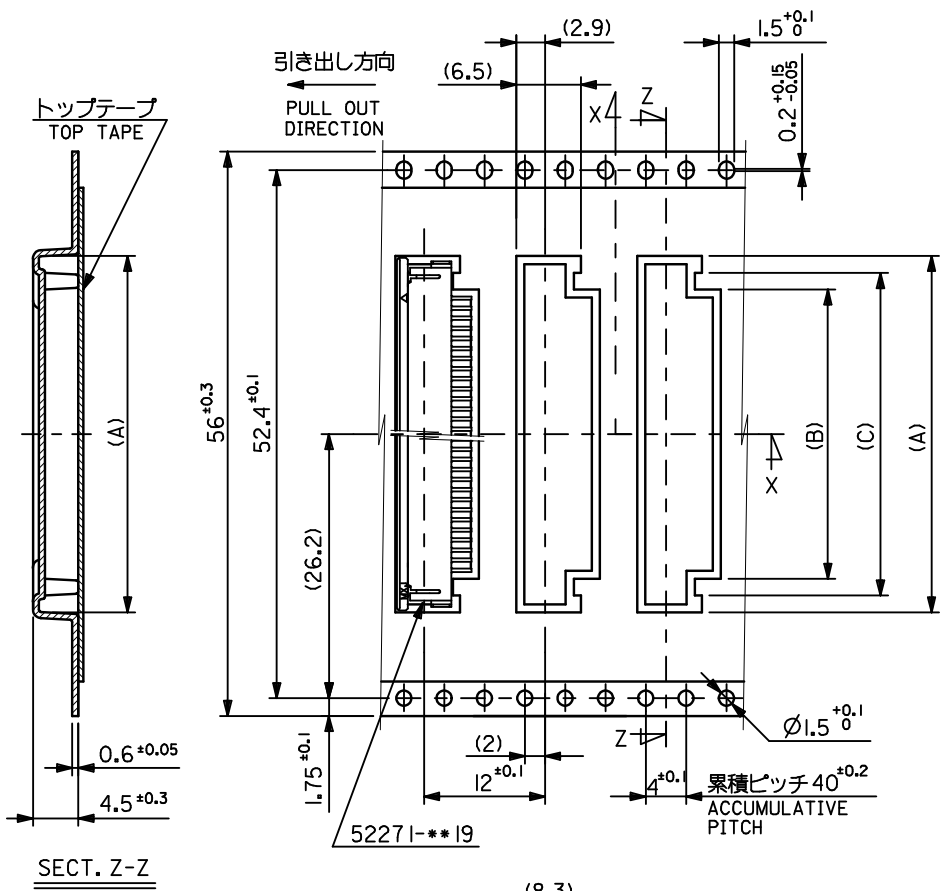
44	49.4	45.4	31	27.4	34.35	52271-2779	27
			30	26.4	33.35	-2679	26
			29	25.4	32.35	-2579	25
			28	24.4	31.35	-2479	24
			27	23.4	30.35	-2379	23
			26	22.4	29.35	-2279	22
			25	21.4	28.35	-2179	21
			24	20.4	27.35	-2079	20
			23	19.4	26.35	-1979	19
			22	18.4	25.35	-1879	18
			21	17.4	24.35	-1779	17
			32	37.4	33.4	20	16.4
19	15.4	22.35				-1579	15
18	14.4	21.35				-1479	14
17	13.4	20.35				-1379	13
16	12.4	19.35				52271-1279	12

キャリアテープ幅
CARRIER TAPE WIDTH
fb_frame_A3_J_ME_S
Rev. E 2006/04/15

REVISED EC NO.: J2009-2061 DRWN:TKON 2009/05/20 CHKD:HATSUMOTO 2009/05/21 APPR:NIKI ITA 2009/05/21 REV: A	DESCRIPTION GENERAL TOLERANCES (UNLESS SPECIFIED) 10 UNDER ±0.2 10 OVER 30 UNDER ±0.25 30 OVER ±0.3 ANGULAR ±3° DRAFT WHERE APPLICABLE MUST REMAIN WITHIN DIMENSIONS	DIMENSION STYLE MM ONLY	SCALE ---	DESIGN UNITS METRIC	THIRD ANGLE PROJECTION	
		DRAWN BY H. KAWABATA	DATE 2004/03/12	TITLE EMBOSSED TAPE PACKAGE FOR 52271-**19 -LEAD FREE-		
		CHECKED BY K. TOJO	DATE 2004/03/12	MOLEX INCORPORATED		
		APPROVED BY M. SASAO	DATE 2004/03/12	MATERIAL NO. SEE TABLE		DOCUMENT NO. SD-52271-037

52271-**79
MODEL NO.

THIS DRAWING CONTAINS INFORMATION THAT IS PROPRIETARY TO MOLEX INCORPORATED AND SHOULD NOT BE USED WITHOUT WRITTEN PERMISSION



56	61.4	57.4	34	30.4	37.35	52271-3079	30
			33	29.4	36.35	52271-2979	29
			32	28.4	35.35	52271-2879	28
キャリアテープ幅 CARRIER TAPE WIDTH	E	D	(C)	(B)	(A)	MATERIAL NO.	種 数 CKT.

REVISED EC NO.: J2009-2061 DRWN:TKON CHK'D:HMATSUMOTO APPR:NIKI ITA 2009/05/20 2009/05/21 2009/05/21	GENERAL TOLERANCES (UNLESS SPECIFIED)		DIMENSION STYLE MM ONLY		SCALE ---	DESIGN UNITS METRIC	THIRD ANGLE PROJECTION		
	10 UNDER ±0.2 10 OVER 30 UNDER ±0.25 30 OVER ±0.3	DRAWN BY H. KAWABATA		DATE 2004/03/12		TITLE EMBOSSED TAPE PACKAGE FOR 52271-**-19 -LEAD FREE-			
	ANGULAR ±3° DRAFT WHERE APPLICABLE MUST REMAIN WITHIN DIMENSIONS		CHECKED BY K. TOJO		DATE 2004/03/12		MOLEX INCORPORATED		
	APPROVED BY M. SASAO		DATE 2004/03/12		MATERIAL NO. SEE TABLE		DOCUMENT NO. SD-52271-037		SHEET NO. 3 OF 3

THIS DRAWING CONTAINS INFORMATION THAT IS PROPRIETARY TO MOLEX INCORPORATED AND SHOULD NOT BE USED WITHOUT WRITTEN PERMISSION