

PLEASE CHECK WWW.MOLEX.COM FOR LATEST PART INFORMATION

Part Number: [0905712169](#)
Status: **Active**
Description: 2.54mm (.100") Pitch QF-50™ Header, Vertical, Dual Row, Shrouded, DIN Keying, 16 Circuits, Tin

Documents:

[Drawing \(PDF\)](#) [RoHS Certificate of Compliance \(PDF\)](#)

Agency Certification

CSA LR19980
 UL E29179

General

Product Family Ribbon Cable / Wire Trap Connectors
 Series [90571](#)
 Comments Eject Levers
 Component Type PCB Header
 Glow-Wire Compliant No
 Product Name QF-50™

Physical

Circuits (Loaded) 16
 Circuits (maximum) 16
 Color - Resin Black
 Durability (mating cycles max) 50
 Entry Angle Vertical
 Flammability 94V-0
 Lock to Mating Part None
 Material - Metal Brass
 Material - Plating Mating Tin
 Material - Plating Termination Tin
 Material - Resin Polyester
 Number of Rows 2
 PCB Locator No
 PCB Retention None
 PCB Thickness Recommended (in) 0.062 In
 PCB Thickness Recommended (mm) 1.60 mm
 Packaging Type Tray
 Pitch - Mating Interface (in) 0.100 In
 Pitch - Mating Interface (mm) 2.54 mm
 Pitch - Term. Interface (in) 0.100 In
 Pitch - Term. Interface (mm) 2.54 mm
 Plating min: Termination (µin) 120
 Plating min: Termination (µm) 3
 Polarized to Mating Part Yes
 Polarized to PCB No
 Shrouded Closed Ends
 Stackable Yes
 Surface Mount Compatible (SMC) No
 Temperature Range - Operating -25°C to +85°C
 Termination Interface: Style Through Hole
 Wire Insulation Diameter N/A
 Wire Size AWG N/A
 Wire/Cable Type Ribbon Cable

Electrical

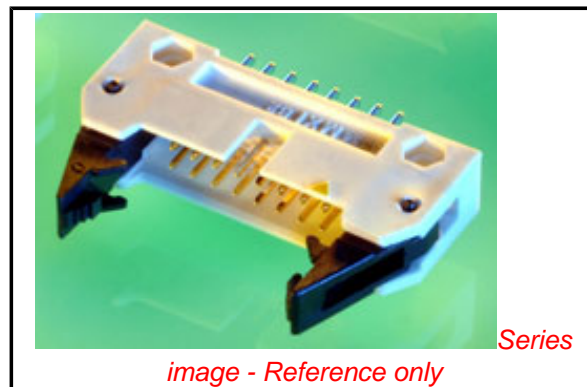


image - Reference only

EU RoHS

China RoHS

Compliance Status

Not Reviewed

REACH SVHC

Not Reviewed

Halogen-Free

Status

Not Reviewed

Need more information on product environmental compliance?

Email productcompliance@molex.com
 For a multiple part number RoHS Certificate of Compliance, [click here](#)

Please visit the [Contact Us](#) section for any non-product compliance questions.

Search Parts in this Series

[90571Series](#)

Mates With

[90635 QF-50™ Female Housing](#)

Current - Maximum per Contact
Voltage - Maximum

1A
250V

Material Info

Reference - Drawing Numbers

Sales Drawing

SDA-90571

This document was generated on 06/08/2010

PLEASE CHECK WWW.MOLEX.COM FOR LATEST PART INFORMATION

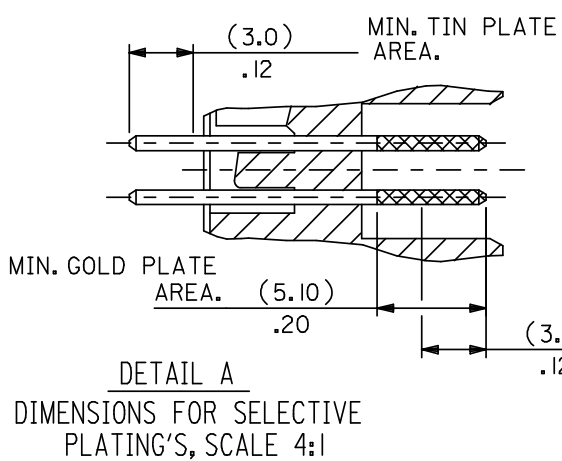
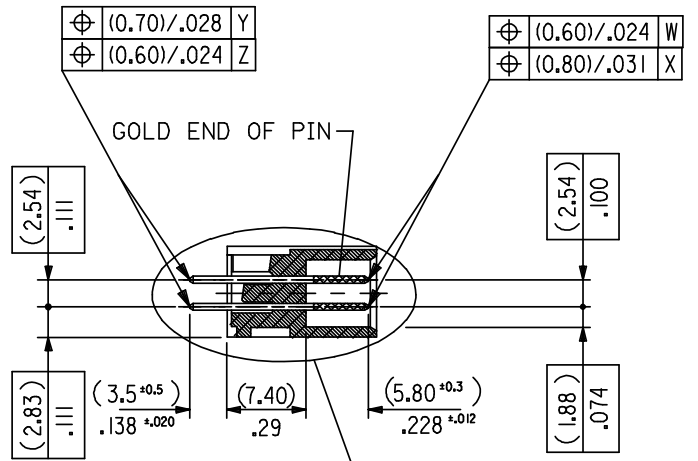
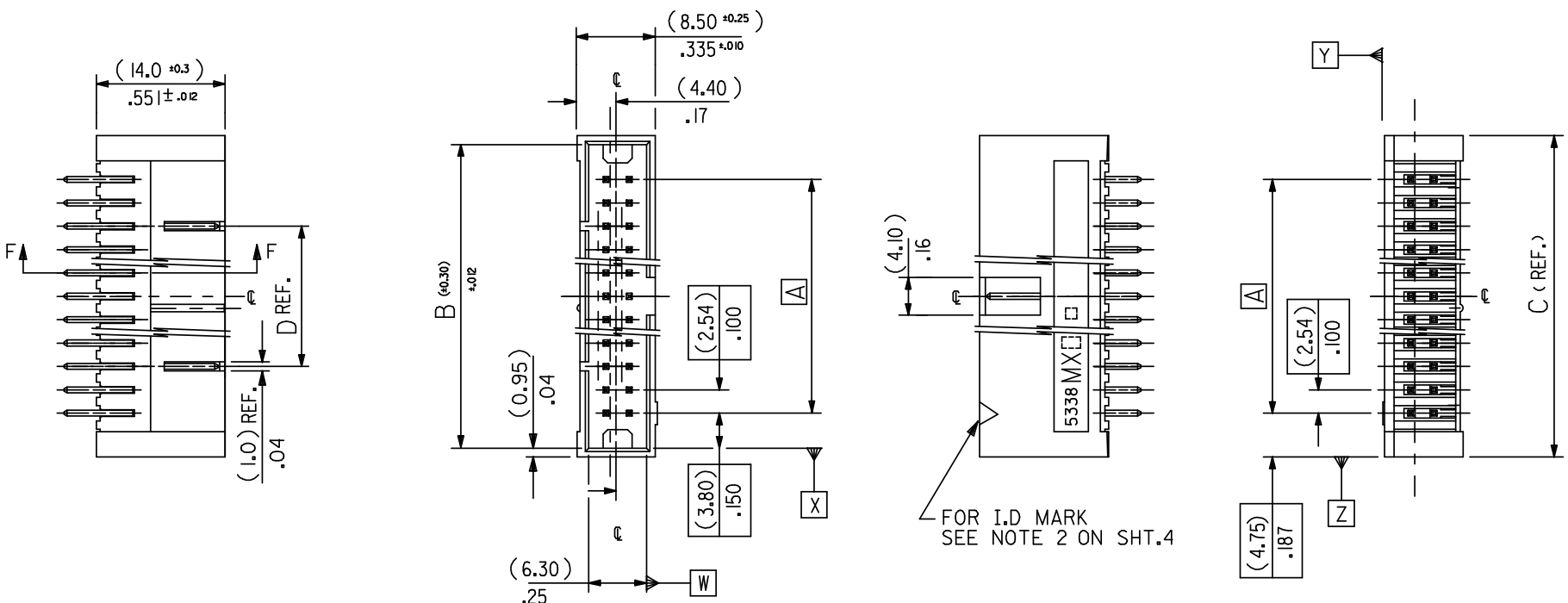


DIMENSIONS FOR SELECTIVE PLATING'S, SCALE 4:1

- NOTES:
- 1: FOR MATERIAL SPECIFICATION SEE NOTE 1. ON SHEET 2.
 - 2: FOR RECOMMENDED P.C.B.HOLE PATTERN, PART No's AND UNSTATED DIMENSIONS SEE SHEET 2.
 - 3: PRODUCT SPEC. No. :PS 99020-0015



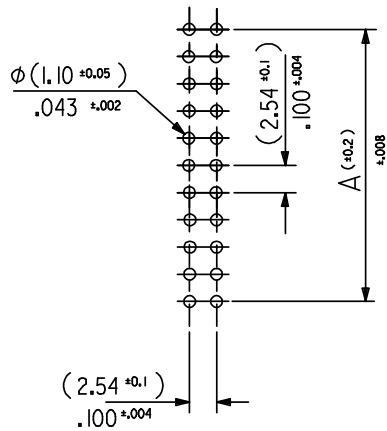
CHANGED GEN TOL. EC NO: E2008-0461 DRWN: NIKI ERNAN 2008/03/05 CHKD: 2008/03/06 APPR: BMAGUIRE 2008/03/06	QUALITY SYMBOLS ▼ = ▽ =	GENERAL TOLERANCES (UNLESS SPECIFIED)		DIMENSION STYLE IN/MM		SCALE 2:1	DESIGN UNITS INCH	THIRD ANGLE PROJECTION	
		4 PLACES ± --- ±	3 PLACES ± ±	2 PLACES ±0.15 ±.005	1 PLACE ±0.02 ±.008	ANGULAR ±1/2°	DRAWN BY SM	DATE 3 /8/90	TITLE QIK FLECS WIPE FEMALE MOLEX INCORPORATED
REV	DESCRIPTION	DRAFT WHERE APPLICABLE MUST REMAIN WITHIN DIMENSIONS		MATERIAL NO.		DOCUMENT NO. SDA-90571	SHEET NO. 1 OF 4		
THIS DRAWING CONTAINS INFORMATION THAT IS PROPRIETARY TO MOLEX INCORPORATED AND SHOULD NOT BE USED WITHOUT WRITTEN PERMISSION				SIZE A3					



- NOTES:
- FOR MATERIAL SPECIFICATION SEE NOTE 1. ON SHEET 4.
 - FOR RECOMMENDED P.C.B.HOLE PATTERN, PART No's AND UNSTATED DIMENSIONS SEE SHEET 4.
 - PRODUCT SPEC. No. : PS-99020-0015

CHANGED GEN TOL. EC NO: E2008-0461 DRWN:KJERNAN 2008/03/05 CHKD: 2008/03/06 APPR:BYAGUIRE 2008/03/06	QUALITY SYMBOLS	GENERAL TOLERANCES (UNLESS SPECIFIED)	DIMENSION STYLE	SCALE	DESIGN UNITS	THIRD ANGLE PROJECTION
	▽ =	4 PLACES ± --- ±	IN/MM	2:1	INCH	◎ ▽
	∇ =	3 PLACES ± ±	mm INCH	DRAWN BY	DATE	TITLE
		2 PLACES ±0.15 ±.005		SM	3/8/90	QIK FLECS HEADER FOR IMPROVED WIPE FEMALE
	1 PLACE ±0.20 ±.008	ANGULAR ±1/2°	CHECKED BY	DATE		
		DRAFT WHERE APPLICABLE MUST REMAIN WITHIN DIMENSIONS	APPROVED BY	DATE		
			MATERIAL NO.	DOCUMENT NO.	SHEET NO.	
			SEE CHART	SDA-90571	3 OF 4	
			SIZE A3	THIS DRAWING CONTAINS INFORMATION THAT IS PROPRIETARY TO MOLEX INCORPORATED AND SHOULD NOT BE USED WITHOUT WRITTEN PERMISSION		

(78.74)/3.100	(86.34)/3.400	(88.24)/3.474	(63.50)/2.500	90571-2641	90571-2642	90571-2643	—————	64
(73.66)/2.900	(81.26)/3.200	(83.16)/3.274	(50.80)/2.000	↑ -2601	↑ -2602	↑ -2603	—————	60
(60.96)/2.400	(68.56)/2.700	(70.46)/2.774	(38.10)/1.500	-2501	-2502	-2503	90571-2509	50
(48.26)/1.900	(55.86)/2.200	(57.76)/2.274	(33.02)/1.300	-2401	-2402	-2403	↑ -2409	40
(40.64)/1.600	(48.24)/1.900	(50.14)/1.974	(30.48)/1.200	-2341	-2342	-2343	-2349	34
(35.56)/1.400	(43.16)/1.700	(45.06)/1.774	(25.40)/1.000	-2301	-2302	-2303	-2309	30
(30.48)/1.200	(38.08)/1.500	(39.98)/1.574	—————	-2261	-2262	-2263	-2269	26
(22.86)/.900	(30.46)/1.200	(32.36)/1.274	—————	-2201	-2202	-2203	-2209	20
(17.78)/.700	(25.38)/1.000	(27.28)/1.074	—————	-2161	-2162	-2163	-2169	16
(15.24)/.600	(22.84)/.900	(24.74)/.974	—————	↓ -2141	↓ -2142	↓ -2143	↓ -2149	14
(10.16)/.400	(17.76)/.700	(19.66)/.774	—————	90571-2101	90571-2102	90571-2103	90571-2109	10
A	B	C	D	ENG. NO. GS1 PLATING	ENG. NO. GS2 PLATING	ENG. NO. GS3 PLATING	ENG. NO. PRE TIN	NO.OF CKTS.



RECOMMENDED P.C.B. HOLE PATTERN.

NOTES

1. MATERIAL

HEADER : GLASS FILLED POLYESTER (UL 94V0), COLOUR - BLACK.
PINS : BRASS SIZE $\square (0.635)/.025$.

2. COLOUR IDENTIFICATION MARK FOR PLATING OPTIONS.

90571-2**1, (1um)/39uin MIN. NICKEL UNDERPLATE. CONTACT AREA
GS1 PLATING (0.1um)/4uin MIN. GOLD. SOLDER AREA (3um)/118uin MIN.
TIN. COLOUR MARK: YELLOW.

90571-2**2, (1um)/39uin MIN. NICKEL UNDERPLATE. CONTACT AREA
GS2 PLATING (0.76um)/30uin MIN. GOLD. SOLDER AREA (3um)/118uin MIN.
TIN. COLOUR MARK: BROWN.

90571-2**3, (1um)/39uin MIN. NICKEL UNDERPLATE. CONTACT AREA
GS3 PLATING (0.25um)/10uin MIN. GOLD. SOLDER AREA (3um)/118uin MIN.
TIN. COLOUR MARK: BLUE.

90571-2**9, (0.5-1um)/20-40uin NICKEL UNDER (1.0-3.0um)/39-118uin TIN.
PRE-TIN COLOUR MARK: BLACK, (NO MARK).

3. RECOMMENDED PCB THICKNESS 1.6mm

CHANGED GEN TOL EC NO: E2008-0461 DRWN: NIKL IERNAN 2008/03/05 CHKD: 2008/03/06 APPR: BMAGUIRE 2008/03/06	QUALITY SYMBOLS 	GENERAL TOLERANCES (UNLESS SPECIFIED)		DIMENSION STYLE	SCALE	DESIGN UNITS	THIRD ANGLE PROJECTION	
				IN/MM	2:1	INCH		
				mm	INCH	DRAWN BY	DATE	TITLE
				4 PLACES ± --- ±		SM	3/8/90	QIK FLECS HEADER FOR IMPROVED WIPE FEMALE
		3 PLACES ± ±		CHECKED BY	DATE	MOLEX INCORPORATED		
		2 PLACES ± 0.15 ± .005		APPROVED BY	DATE			
		1 PLACE ± 0.20 ± .008		ANGULAR $\pm 1/2^\circ$				
		DRAFT WHERE APPLICABLE MUST REMAIN WITHIN DIMENSIONS		MATERIAL NO.	DOCUMENT NO.	SHEET NO.		
				SEE CHART	SDA-90571	4 OF 4		
				THIS DRAWING CONTAINS INFORMATION THAT IS PROPRIETARY TO MOLEX INCORPORATED AND SHOULD NOT BE USED WITHOUT WRITTEN PERMISSION				