

PLEASE CHECK WWW.MOLEX.COM FOR LATEST PART INFORMATION

Part Number: [0643201311](#)
Status: **Active**
Overview: [cmc connectors](#)
Description: .635mm (.025"), 1.50mm (.059"), CMC Receptacle, 48 Circuits, Left Wire Output, Black Coding, Mat Sealed

Documents:

[3D Model](#) [Product Specification PS-64319-001 \(PDF\)](#)
[Drawing \(PDF\)](#) [RoHS Certificate of Compliance \(PDF\)](#)
[Application Specification \(PDF\)](#)

General

Product Family	Crimp Housings
Series	64320
Comments	* Current tested on a 5 terminals loaded connector, current for temperature increase of 40°C . Current max = 6.0A for 0.635mm Terminal (0.75mm ² wire) and 12.0A for 1.5mm Terminal (2.0mm ² wire) *
More Detailed Tech Information	Sealed, high-density, modular connecting system for Power Train and Body Electronics applications in cars, trucks, busses
Overview	cmc connectors
Product Name	CMC

Physical

Circuits (maximum)	48
Circuits Detail	8 x 1.5mm & 40 x 0.635mm terminals
Color - Resin	Black
Gender	Female
Glow-Wire Compliant	No
Keying to Mating Part	Yes
Lock to Mating Part	Yes
Material - Resin	Polyester
Number of Rows	4
Packaging Type	Carton
Panel Mount	No
Pitch - Mating Interface (in)	0.100 In, 0.146 In
Pitch - Mating Interface (mm)	2.54 mm, 3.70 mm
Polarized to Mating Part	Yes
Stackable	No
Temperature Range - Operating	-40°C to +125°C

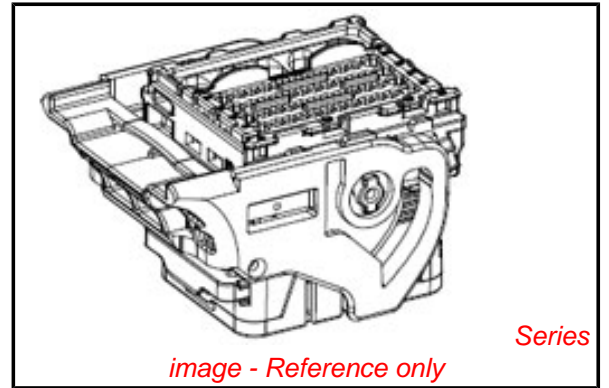
Electrical

Current - Maximum per Contact	12A, 6A
-------------------------------	---------

Material Info

Reference - Drawing Numbers

Application Specification	AS-64319-001
Packaging Specification	PK-64320-001
Product Specification	PS-64319-001
Sales Drawing	SD-64320-001, SD-98644-006, SD-98993-008



EU RoHS

ELV and RoHS Compliant
REACH SVHC
 Not Reviewed
Halogen-Free Status

China RoHS



Not Reviewed

Need more information on product environmental compliance?

Email productcompliance@molex.com
 For a multiple part number RoHS Certificate of Compliance, [click here](#)

Please visit the [Contact Us](#) section for any non-product compliance questions.

Search Parts in this Series

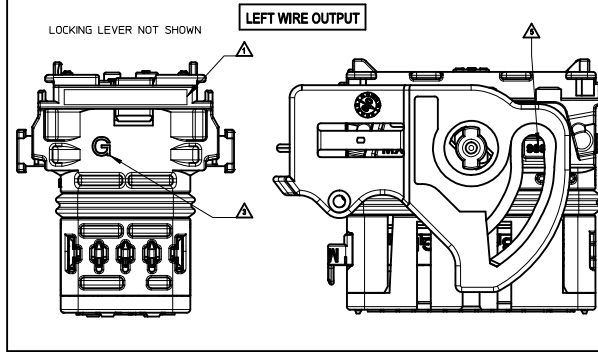
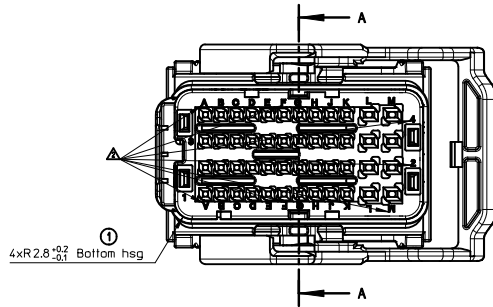
[64320Series](#)

Mates With

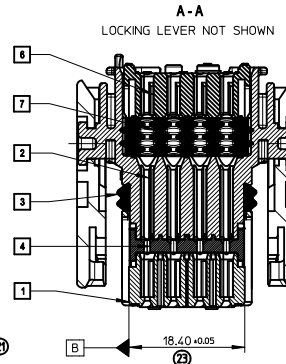
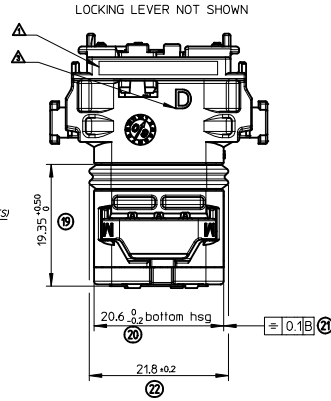
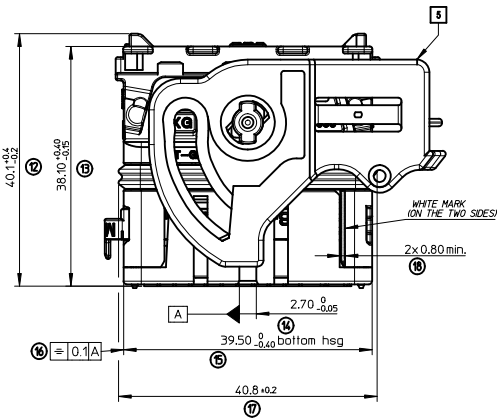
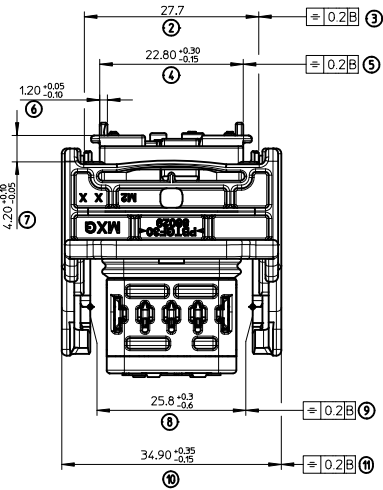
[500762-0481](#) 48 Circuit CMC Header, [36638](#) CMC Header

Use With

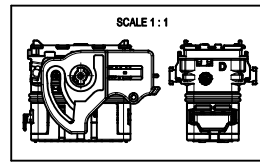
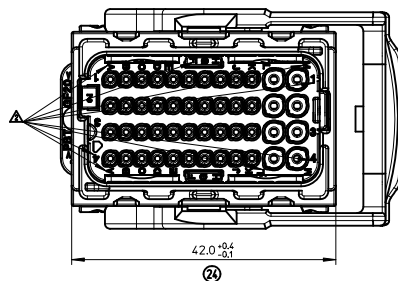
CMC CP Female Terminal [64322](#) , [64323](#).
 Circuit Way Plugs [643251010](#) , [643251023](#).
 CMC Wire Cap [643201301](#). CMC 48 Circuit Header [5007620481](#) , [36638](#) ,



LEFT WIRE OUTPUT	
MATERIAL NUMBER	COLOR
0643201311	BLACK
0643201318	GREY
0643201319	BROWN
0643201315	GREEN



RIGHT WIRE OUTPUT	
MATERIAL NUMBER	COLOR
0643203311	BLACK
0643203318	GREY
0643203319	BROWN
0643203315	GREEN



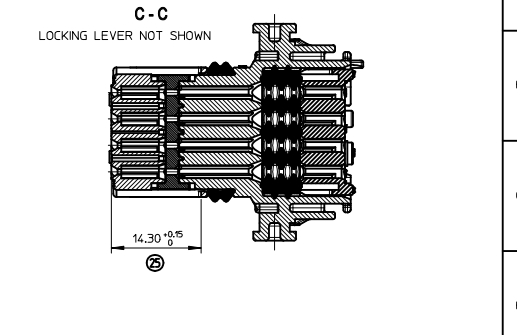
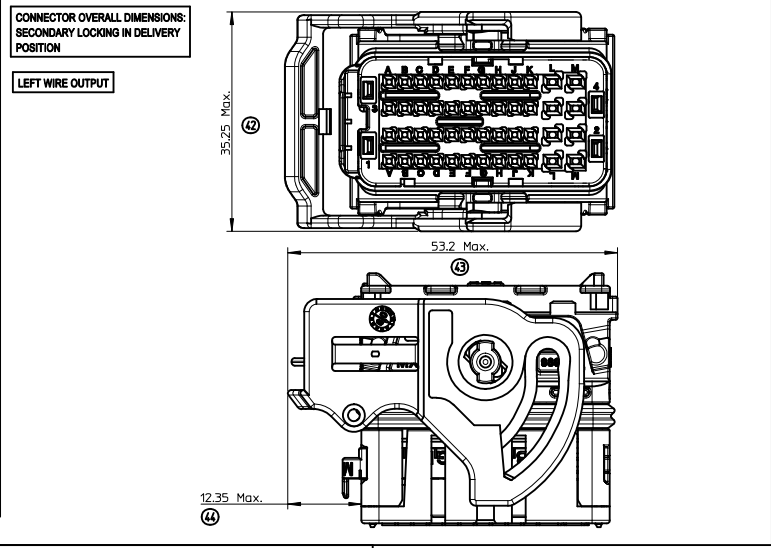
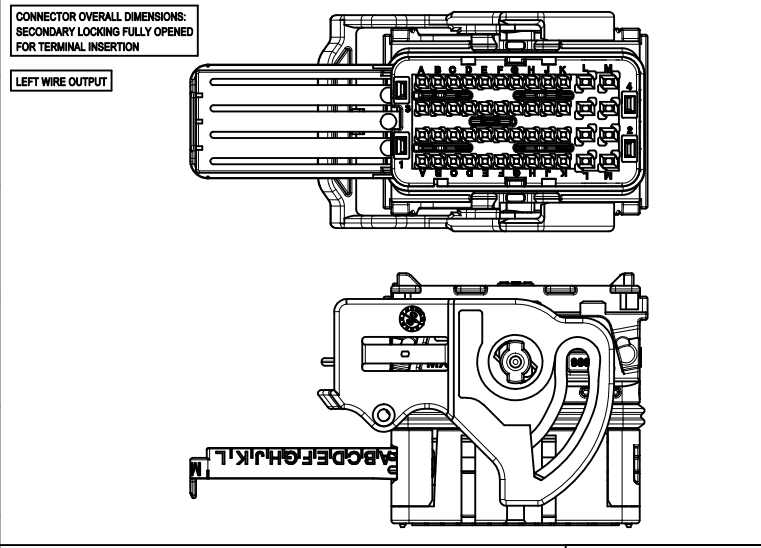
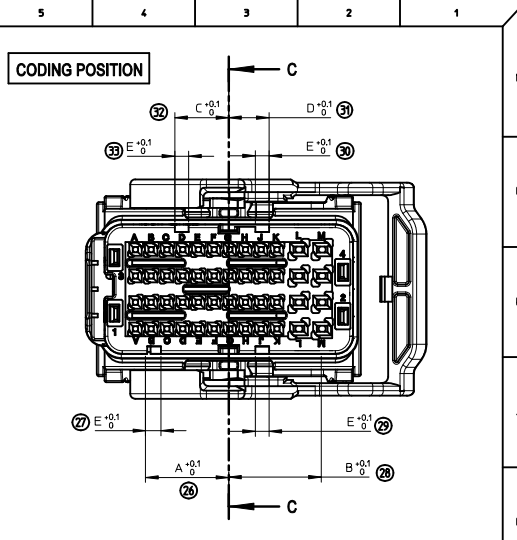
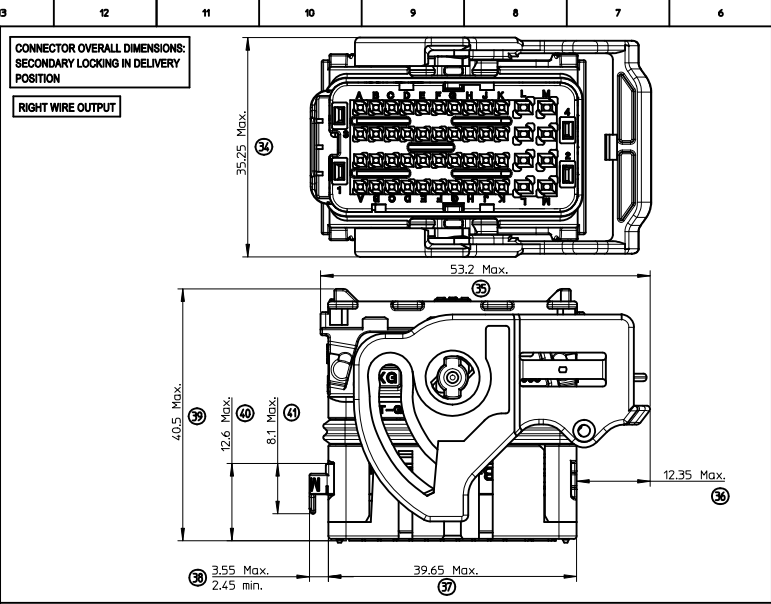
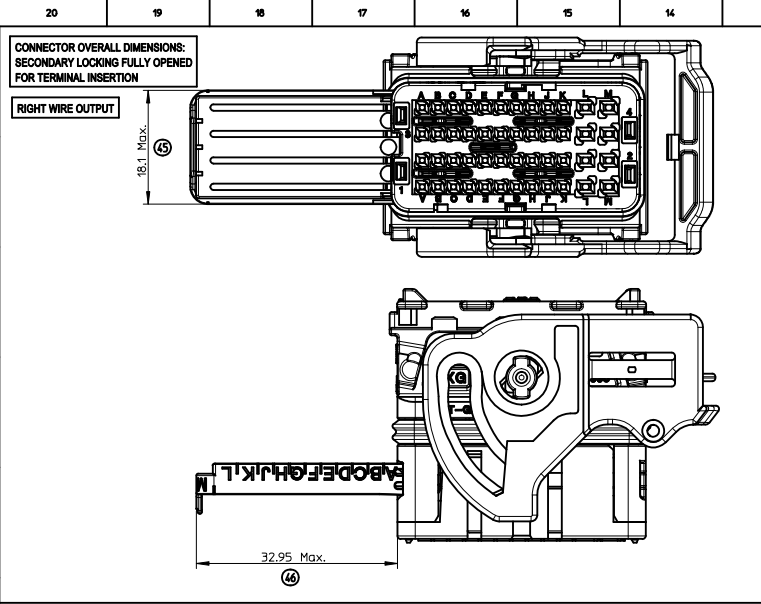
NOTES:

- FOR ILLUSTRATION PURPOSE THE FEMALE HOUSING SHOWN IS THE RIGHT WIRE OUTPUT VERSION CODING 1
- APPLICATION SPECIFICATION: AS-64319-001
- WIRES EXTERNAL DIAMETER USED:
FOR CP06 TERMINAL: USE WIRES WITH AN EXTERNAL DIAMETER BETWEEN $\phi 1.25$ MM MIN AND $\phi 1.90$ MM MAX
FOR CP15 TERMINAL: USE WIRES WITH AN EXTERNAL DIAMETER BETWEEN $\phi 1.40$ MM MIN AND $\phi 2.80$ MM MAX
- THE CONNECTOR FITS WITH WIRE CAP (48 WAY) MOLEX P/N 0643201301
- BLIND PLUG FOR 06 AND 15 CAVITIES (MOLEX P/N 0643251010 AND 0643251023) MUST BE USED ON THIS PART.
- DELIVERED PRODUCT WEIGHT: 33.8 g

7	MAT SEAL	Silicon	BLUE
8	BACK GRID 48W	>PBT-GF20<	GREY
9	LOCKING LEVER 48W	>PBT-GF30<	BLACK
4	SECONDARY LOCK	>PBT-GF20<	GREY
3	PERIPHERAL SEAL 48W	Silicon	RED
2	BACK PART	>PBT-GF20<	BLACK
1	FRONT PART	>PBT-GF20<	COLOR LINKED TO KEYING
REF.	DESIGNATION	MATERIAL	COLOR

- MARKINGS:**
- Assembled part traceability Day * Year
 - Terminal cavities identification
 - Lever position indicator: 'D' LETTER VISIBLE - part with 'LEVER ON THE RIGHT' 'G' LETTER VISIBLE - part with 'LEVER ON THE LEFT'
 - Supplier identification
 - Material identification

UPDATED DRAWING DEC NO: 0 D: DRWINGESBRIERES 2009/06/02 CHKDC: BOUCHAN APPR:	DESCRIPTION	GENERAL TOLERANCES (UNLESS SPECIFIED)		DIMENSION STYLE MM ONLY		SCALE 2.5:1	DESIGN UNITS METRIC	FIRST ANGLE PROJECTION		
		4 PLACES ± --- ± ---	3 PLACES ± --- ± ---	2 PLACES ± 0.1 ± ---	1 PLACE ± 0.1 ± ---	DRAWN BY T. BADAROUX 2007/07/16	CHECKED BY P. GRANDCLAUD 2007/07/16	CMC CONNECTOR 48 WAY MAT SEAL VERSION		
		ANGULAR ± 2 °		DRAFT WHERE APPLICABLE MUST REMAIN WITHIN DIMENSIONS		APPROVED BY C. BOUCHAN 2007/07/16		MOLEX INCORPORATED		
		SEE SHEET 2		MATERIAL NO.		DOCUMENT NO.		SD-64320-001		
THIS DRAWING CONTAINS INFORMATION THAT IS PROPRIETARY TO MOLEX INCORPORATED AND SHOULD NOT BE USED WITHOUT WRITTEN PERMISSION										
						SHEET NO. 1 OF 2				



COLOR	CODING	A	B	C	D	E
BLACK	1	13	6.4	8.6	6.4	2.2
GREY	2	10.8	8.6	13	8.6	2.2
BROWN	3	8.6	10.8	13	13	2.2
GREEN	4	10.8	13	6.4	6.4	2.2

TERMINALS USED					
CAVITY N°	FEMALE TERMINALS (Section mm2)	PLATING	MOLEX PIN N°	min / MAX WIRE INSULATION DIAMETER (mm)	
A1 to K1 A2 to K2 A3 to K3 A4 to K4	CP 0.6 0.35mm2	Tin plated	0643221019	Ø1.25 min / Ø1.40 Max	
		Gold plated	0643221229	Ø1.40 min / Ø1.70 Max	
	CP 0.6 0.5mm2	Tin plated	0643221029	Ø1.60 min / Ø1.90 Max	
		Gold plated	0643221239	Ø1.60 min / Ø1.90 Max	
L1 to L4 M1 to M4	CP 1.5 0.5mm2 to 1mm2	Tin plated	0643231019	Ø1.40 min / Ø2.15 Max	
		Gold plated	0643231219	Ø1.40 min / Ø2.15 Max	
	CP 1.5 >1mm2 to 2mm2	Tin plated	0643231039	Ø2.10 min / Ø2.80 Max	
		Gold plated	0643231219	Ø2.10 min / Ø2.80 Max	

UPDATED DRAWING
 EC NO: D
 DRAWING DESIGNED BY: 2009/06/02
 CHKDC: BOUCHAN
 APPR: [REDACTED]

GENERAL TOLERANCES
(UNLESS SPECIFIED)

	mm	INCH
4 PLACES	± 0.1	± 0.004
3 PLACES	± 0.15	± 0.006
2 PLACES	± 0.2	± 0.008
1 PLACE	± 0.3	± 0.012

ANGULAR ± 2°

DIMENSION STYLE
MM ONLY

SCALE
2.5:1

DESIGN UNITS
METRIC

FIRST ANGLE PROJECTION

DRAWN BY: T. BADAROUX
 DATE: 2007/07/16
 CHECKED BY: [REDACTED]
 DATE: [REDACTED]
 APPROVED BY: P. GRANDCLAUD
 DATE: 2007/07/16
 C. BOUCHAN

TITLE
CMC CONNECTOR 48 WAY
MAT SEAL VERSION

MATERIAL NO.
SD-64320-001

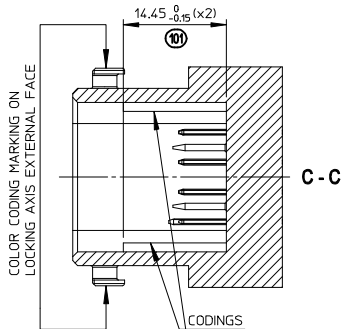
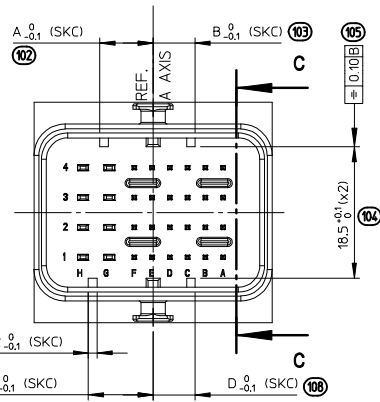
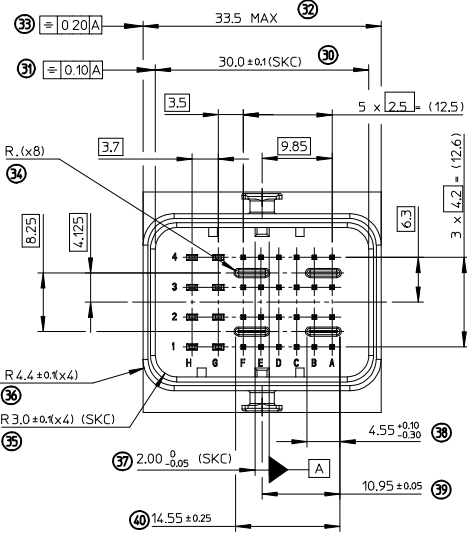
DOCUMENT NO.
SD-64320-001

MOLEX INCORPORATED

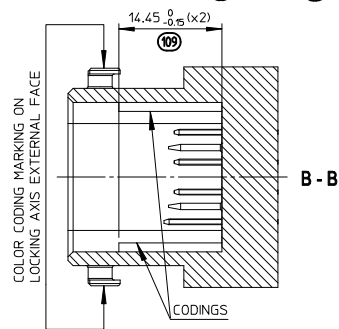
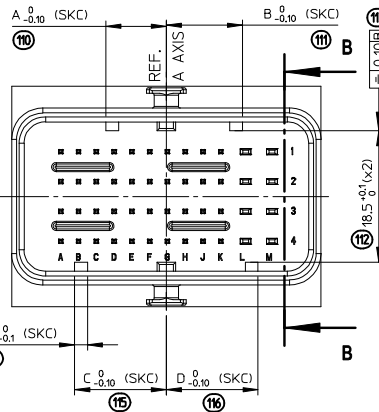
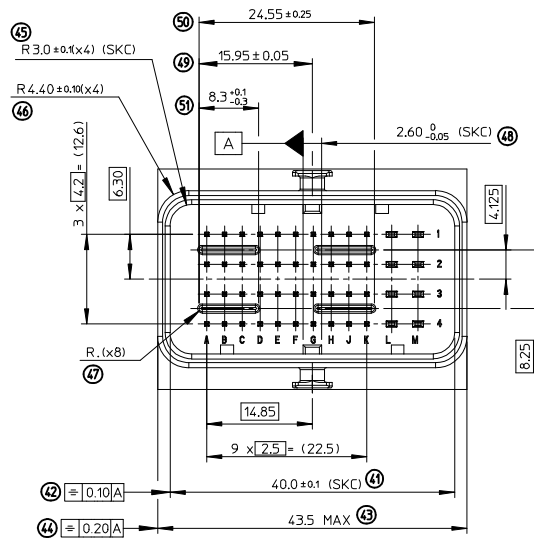
SHEET NO.
2 OF 2

THIS DRAWING CONTAINS INFORMATION THAT IS PROPRIETARY TO MOLEX
INCORPORATED AND SHOULD NOT BE USED WITHOUT WRITTEN PERMISSION

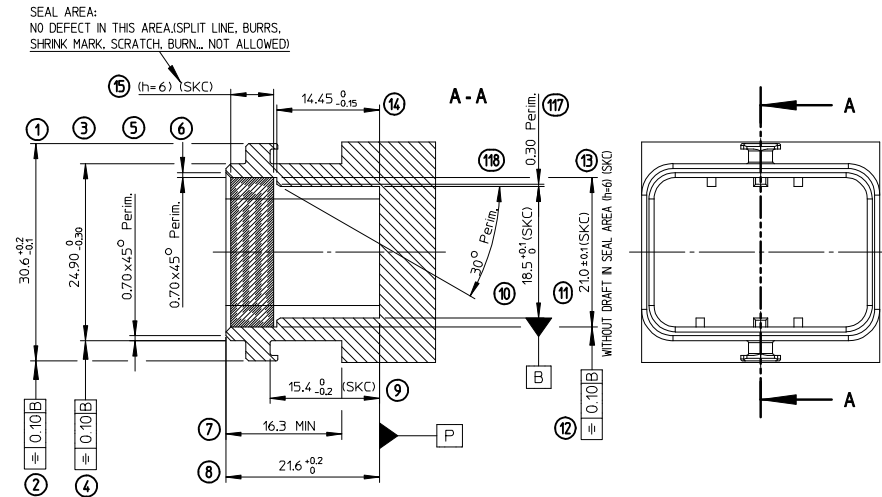
INTERFACE FOR HYBRID MODULE T2 (32 WAY)



INTERFACE FOR HYBRID MODULE T3 (48 WAY)



INTERFACES FOR HYBRID MODULES T2 (32 WAY) AND T3 (48 WAY)



HEADERS CODINGS

(CODING 2 SHOWN)

HEADER'S CODINGS FOR MODULE T2 (32W)					
COLOR	CODINGS	DIM. A	DIM. B	DIM. C	DIM. D
BLACK	1	9.1	4.3	5.9	4.3
GREY	2	7.5	5.9	9.1	5.9
BROWN	3	5.9	7.5	9.1	9.1
GREEN	4	7.5	9.1	4.3	4.3
BLUE	5	4.3	7.5	5.9	5.9
YELLOW	6	9.1	7.5	4.3	7.5

(CODING 3 SHOWN)

HEADER'S CODINGS FOR MODULE T3 (48W)					
COLOR	CODINGS	DIM. A	DIM. B	DIM. C	DIM. D
BLACK	1	12.9	6.3	8.5	6.3
GREY	2	10.7	8.5	12.9	8.5
BROWN	3	8.5	10.7	12.9	12.9
GREEN	4	10.7	12.9	6.3	6.3
BLUE	5	6.3	10.7	8.5	8.5
YELLOW	6	12.9	10.7	6.3	10.7

(SKC) SPECIAL KEY CHARACTERISTIC
 QUANTITY PER INDIVIDUAL SHEET
 (SKC) = 20

NOTE:

1- HEADER: ELASTICITY MODULUS: 8000Mpa min.
 (INITIAL CONDITION BEFORE AGEING)

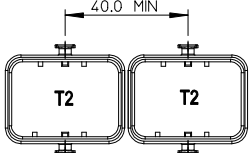
REVISED EC NO: GZ009-0185 DRWN: GDESBRUERES 2008/12/10 CHKD: J.GIURIATO 2008/12/11 APPR: O.PLESSIS 2008/12/15	GENERAL TOLERANCES (UNLESS SPECIFIED)		DIMENSION STYLE MM ONLY	SCALE 2:1	DESIGN UNITS METRIC	FIRST ANGLE PROJECTION	
	4 PLACES ± --- ± --- 3 PLACES ± --- ± --- 2 PLACES ± 0.10 ± --- 1 PLACE ± 0.10 ± ---	m/m INCH	DRAWN BY G. DESBRUERES	DATE 2008/10/02	TITLE INTERFACES FOR MODULES 32 & 48 CKT CMC	DOCUMENT NO. SD-98644-006	SHEET NO. 1 OF 3
	ANGULAR ± 2°	DRAFT WHERE APPLICABLE MUST REMAIN WITHIN DIMENSIONS	CHECKED BY J. GIURIATO	DATE 2008/10/03	APPROVED BY O. PLESSIS	DATE 2008/10/06	MOLEX INCORPORATED
	A	SIZE A2	MATERIAL NO. N/A	THIS DRAWING CONTAINS INFORMATION THAT IS PROPRIETARY TO MOLEX INCORPORATED AND SHOULD NOT BE USED WITHOUT WRITTEN PERMISSION			

CONNECTOR ON HEADER - OVERALL DIMENSIONS

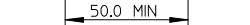
MULTI-HEADERS LAYOUT

LAYOUT FOR TWO INTERFACES T2 (32W)

FOR SAME HARNESS EXIT CONFIGURATION

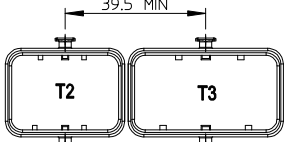


FOR OPPOSITE HARNESS EXIT CONFIGURATION

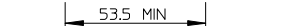


LAYOUT FOR TWO INTERFACES T2 (32W) AND T3 (48W)

FOR SAME HARNESS EXIT CONFIGURATION

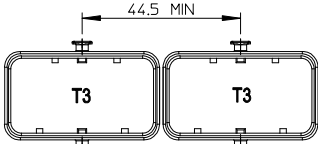


FOR OPPOSITE HARNESS EXIT CONFIGURATION



LAYOUT FOR TWO INTERFACES T3 (48W)

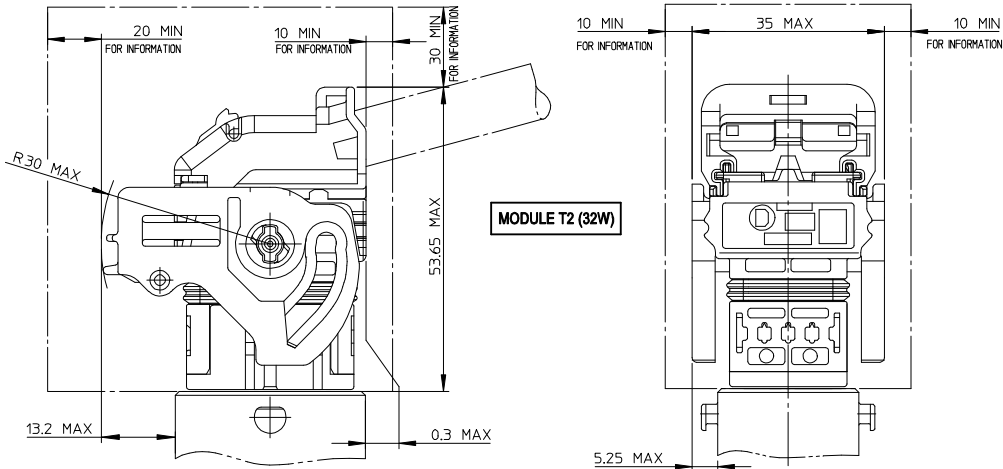
FOR SAME HARNESS EXIT CONFIGURATION



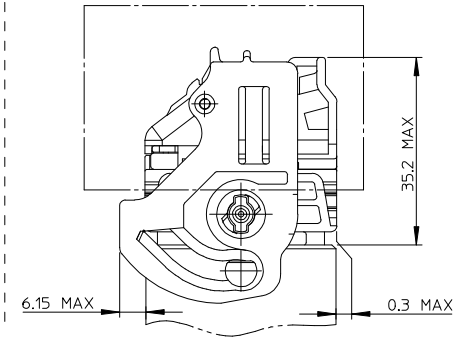
FOR OPPOSITE HARNESS EXIT CONFIGURATION



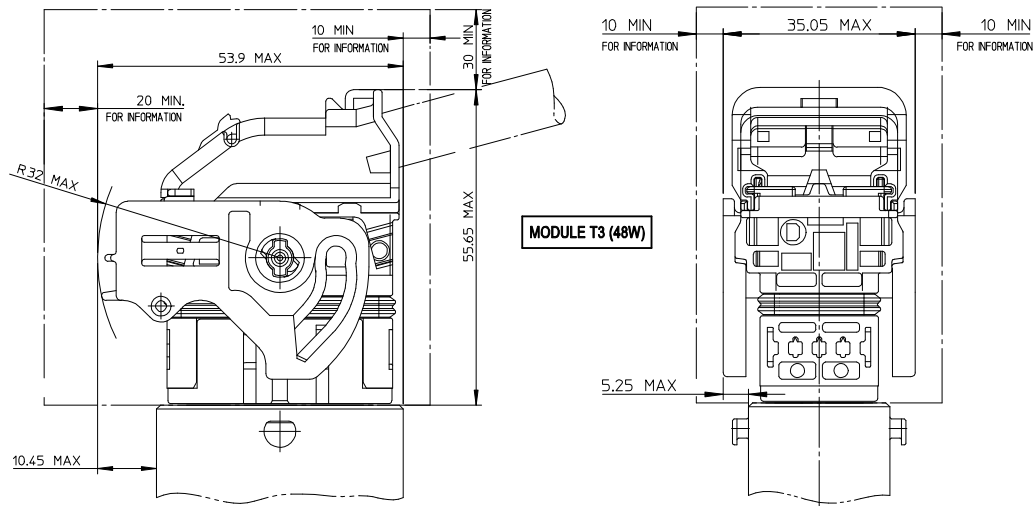
UNLOCKED CONNECTOR - OVERALL DIMENSIONS



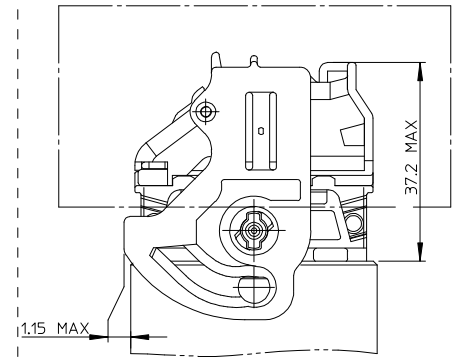
LOCKED CONNECTOR - OVERALL DIMENSIONS



UNLOCKED CONNECTOR - OVERALL DIMENSIONS



LOCKED CONNECTOR - OVERALL DIMENSIONS



LEGEND:



FREE VOLUME FOR MANUAL LOCKING AND UNLOCKING
DIMENSIONS GIVEN FOR INFORMATION ONLY TO BE
CONFIRMED BASED UPON VEHICLE CONFIGURATION.

(SKC) SPECIAL KEY CHARACTERISTIC

QUANTITY PER INDIVIDUAL SHEET

(SKC) = 0

NOTE:

1- T2 = 32 WAY / T3 = 48 WAY

REVISED
E.C. NO: G2009-0185
DRAWN: G. DESBRUERES 2008/12/10
CHKD: J. GIURIATO 2008/12/11
APPR: O. PLESSIS 2008/12/15

DESCRIPTION

GENERAL TOLERANCES (UNLESS SPECIFIED)

	mm	INCH
4 PLACES	± 0.10	± 0.004
3 PLACES	± 0.15	± 0.005
2 PLACES	± 0.20	± 0.008
1 PLACE	± 0.30	± 0.012
ANGULAR ± 2°		

DRAFT WHERE APPLICABLE
MUST REMAIN
WITHIN DIMENSIONS

DIMENSION STYLE

MM ONLY	DATE
DRAWN BY	G. DESBRUERES 2008/10/02
CHECKED BY	DATE
J. GIURIATO	2008/10/03
APPROVED BY	DATE
O. PLESSIS	2008/10/06
MATERIAL NO.	

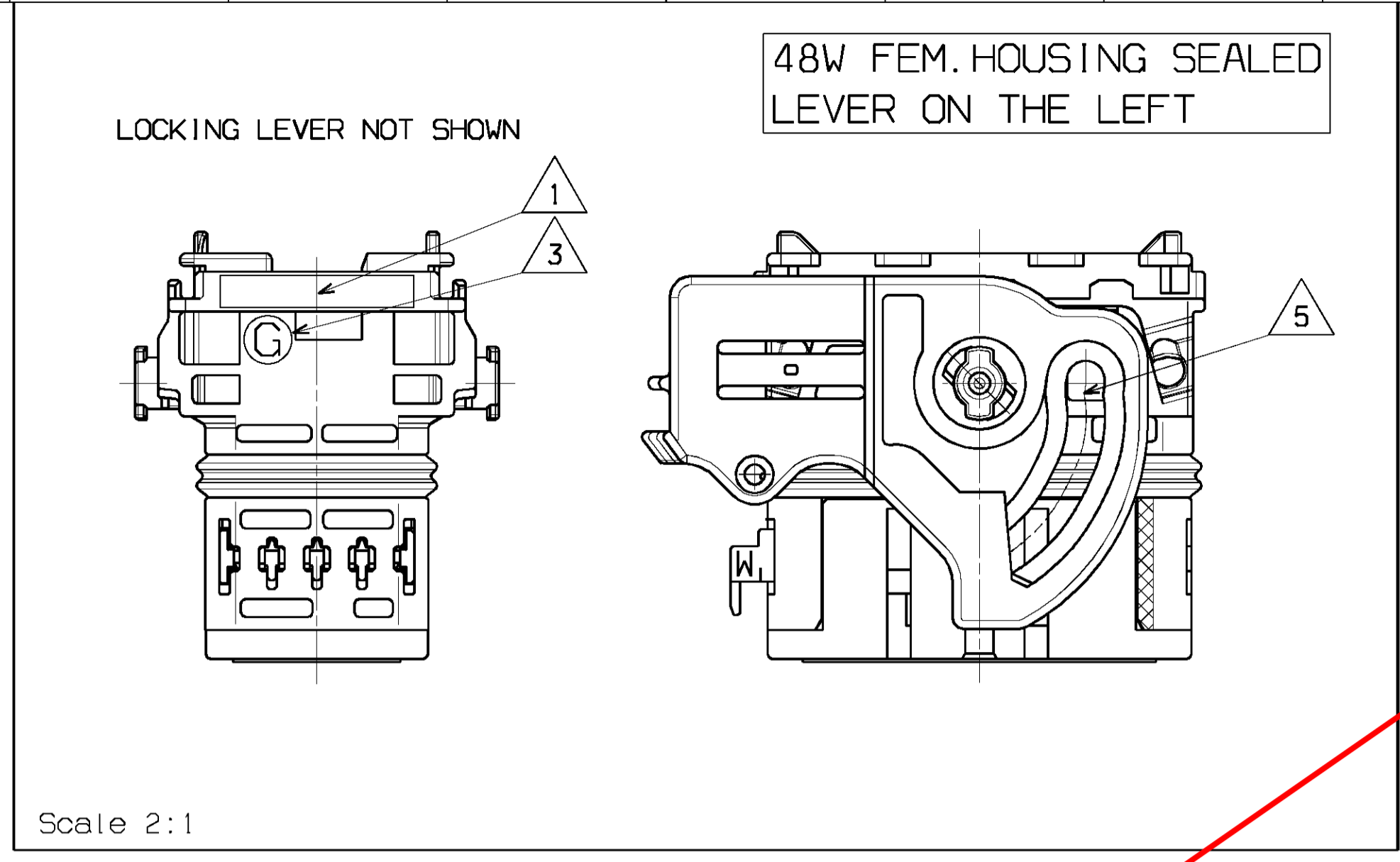
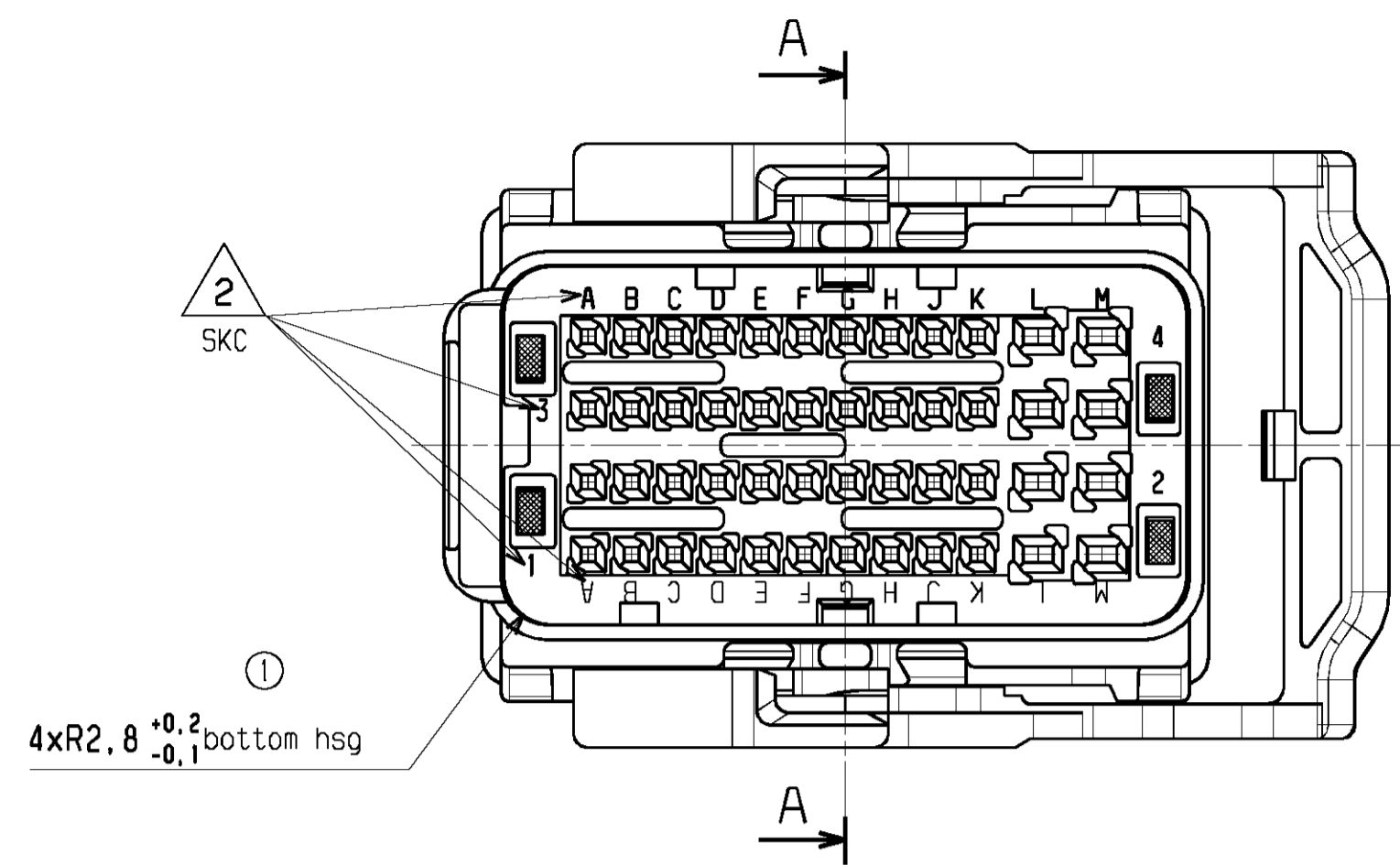
SCALE

1:1	DESIGN UNITS
	METRIC

FIRST ANGLE PROJECTION

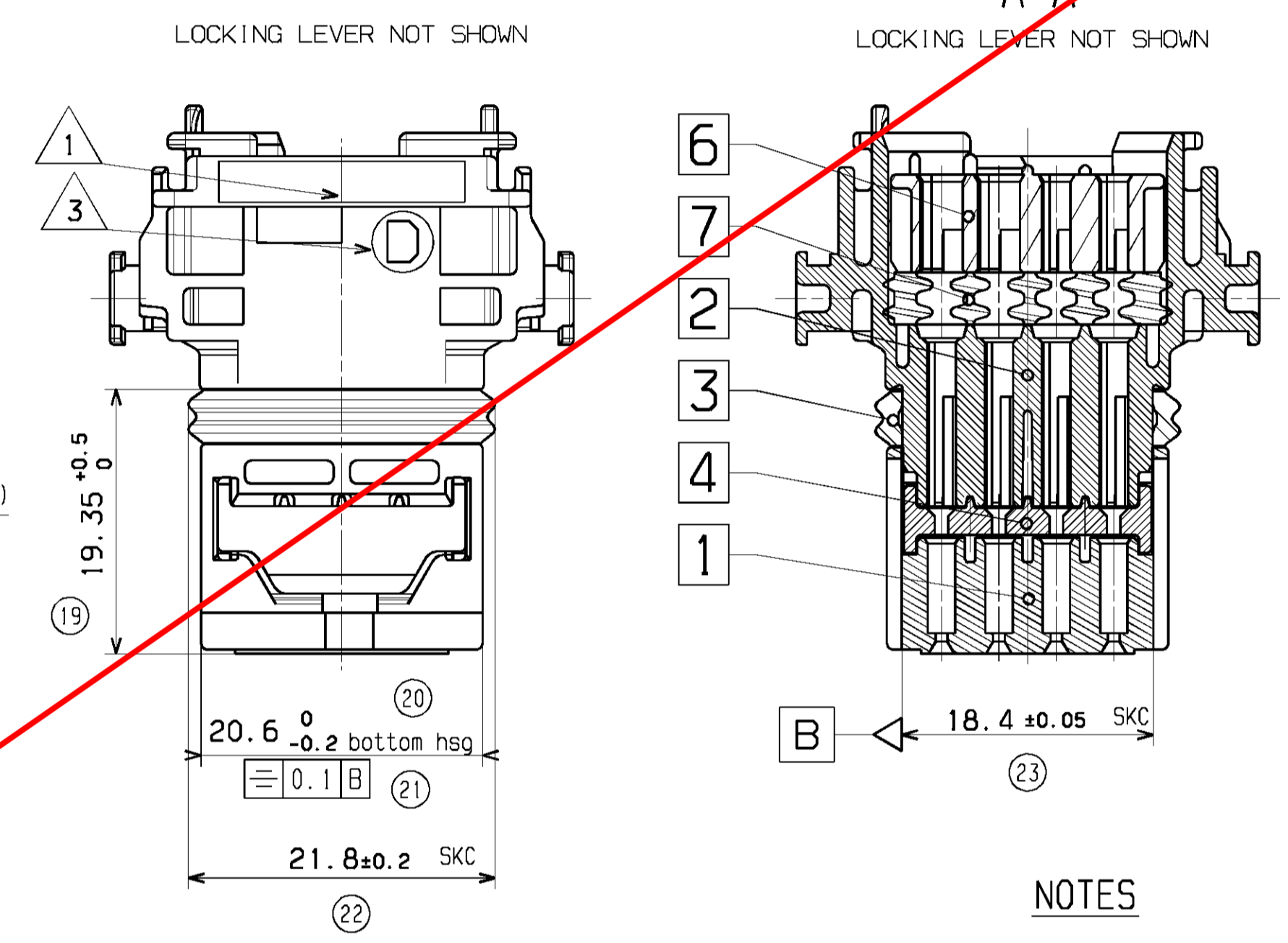
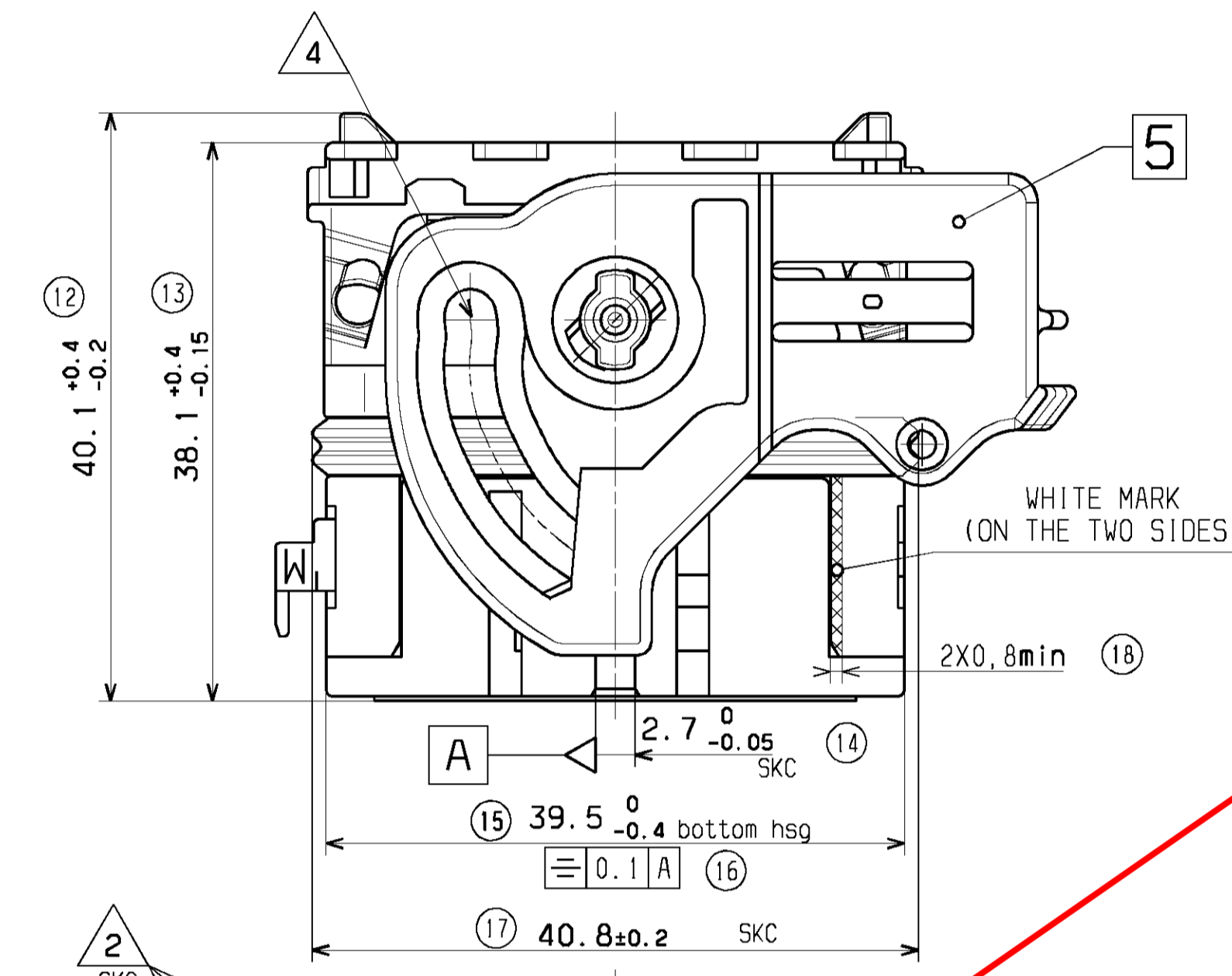
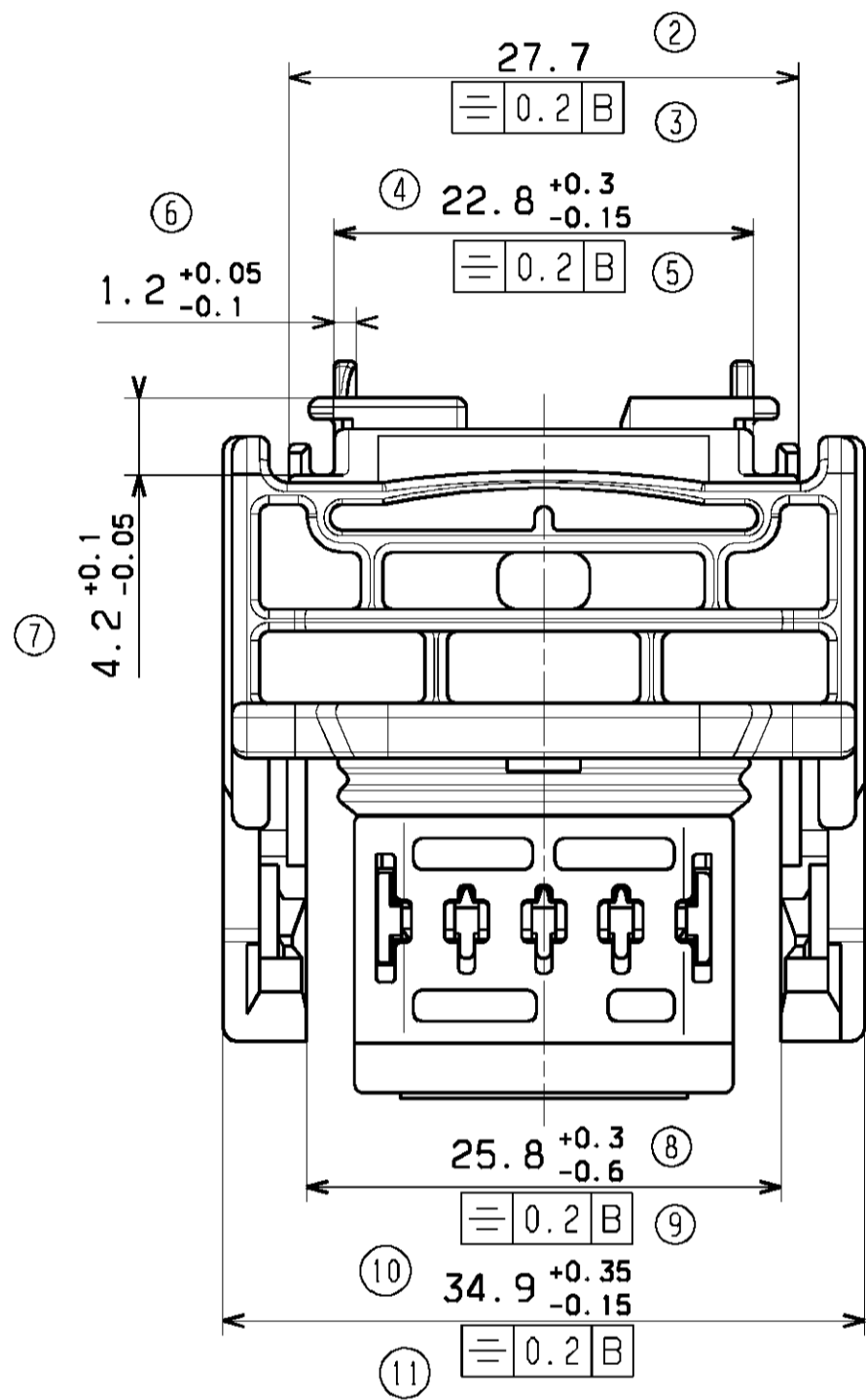
TITLE	SHEET NO.
INTERFACES FOR MODULES 32 & 48 CKT CMC GENERIC SALES DRAWING	3 OF 3
MOLEX INCORPORATED	
DOCUMENT NO.	
SD-98644-006	

SIZE A2
THIS DRAWING CONTAINS INFORMATION THAT IS PROPRIETARY TO MOLEX
INCORPORATED AND SHOULD NOT BE USED WITHOUT WRITTEN PERMISSION



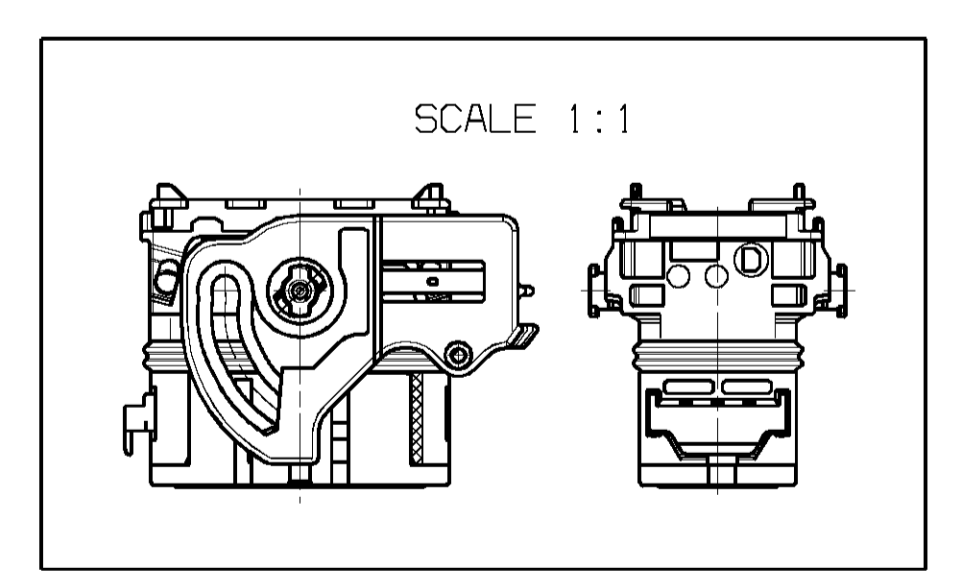
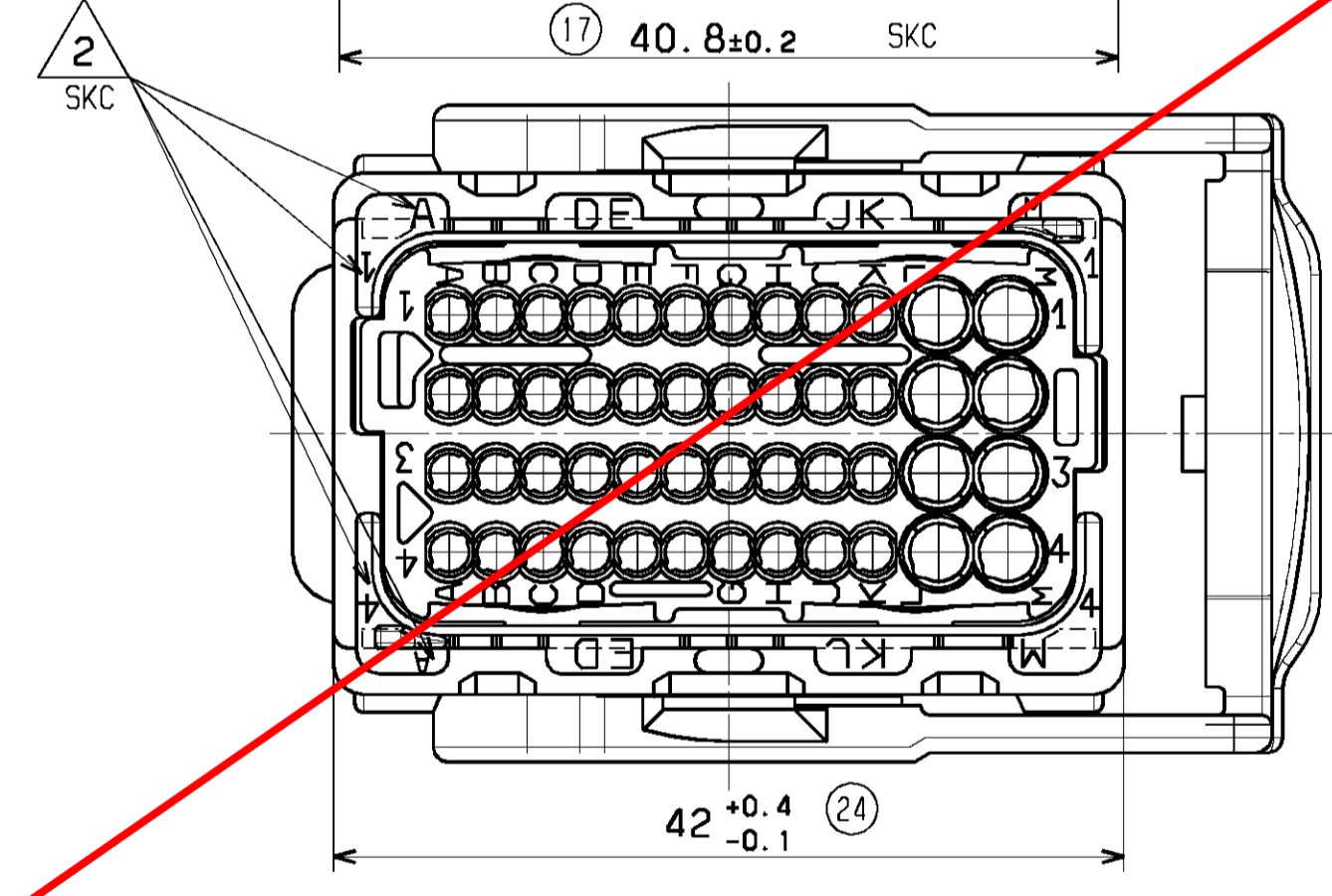
LEVER ON THE LEFT

MATERIAL NUMBER	COLOR
0643201311	BLACK
0643201318	GREY
0643201319	BROWN
0643201315	GREEN
	BLUE
	YELLOW



LEVER ON THE RIGHT

MATERIAL NUMBER	COLOR
0643203311	BLACK
0643203318	GREY
0643203319	BROWN
0643203315	GREEN
	BLUE
	YELLOW



NOTES

- 1-FOR ILLUSTRATION PURPOSE THE FEMALE HOUSING SHOWN IS THE RIGHT WIRE OUTPUT VERSION CODING 1
- 2-INTERFACE DEFINITION, OVERALL DIMENSION AND LOCATION ON HEADER AS PER RSD-98644-005
- 3-CAVITIES TERMINALS REGION AS PER
- 4-WIRES EXTERNAL DIAMETER USED.
FOR CP0,6 TERMINAL: USE WIRES WITH AN EXTERNAL DIAMETER BETWEEN Ø1,25MM MIN AND Ø1,90MM MAX
FOR CP1,5 TERMINAL: USE WIRES WITH AN EXTERNAL DIAMETER BETWEEN Ø1,80MM MIN AND Ø2,80MM MAX
- 7-THE CONNECTOR FITS WITH WIRE CAP T3 (48WAY) MOLEX P/N 0643201301
- 8-BLIND PLUG FOR 0,6 AND 1,5 CAVITIES (MOLEX P/N 0643251010 AND 0643251023) MUST BE USED ON THIS PART
- 9-DELIVERED PRODUCT WEIGHT: 33,8 g

**VOID AND SUPERSEDED BY
SD-64320-001 rev C**

SKC: CS CHARACTERISTICS

- ☒ DENOTES S.P.C DIMENSIONS
- ⊙ DENOTES CRITICAL DIMENSIONS
- DENOTES FUNCTIONAL DIMENSIONS

QUANTITY PER INDIVIDUAL SHEET

☒ 0 ⊙ 0 ● 0 SKC: 13

0989930396	7	MATT SEAL	SILICONE SKC	BLUE
0989930356	6	BACK GRID 48 WAY	PBT-GF20 SKC	BLUE
0989930341	5	LOCKING LEVER SIZE 3	PBT-GF30 SKC	BLACK
0989930338	4	SECONDARY LOCK	PBT-GF20 SKC	GREY
0986560002	3	PERIPHERAL SEAL SIZE 3	SILICONE SKC	RED
0989930311	2	BACK PART	PBT-GF20 SKC	BLACK
0989930321 0989930328 0989930325 0989930329	1	FRONT PART	PBT-GF20 SKC	COLOR ASSOCIATED TO KEYING
MATERIAL NUMBER	MARK	DESIGNATION	MATERIAL	COLOR

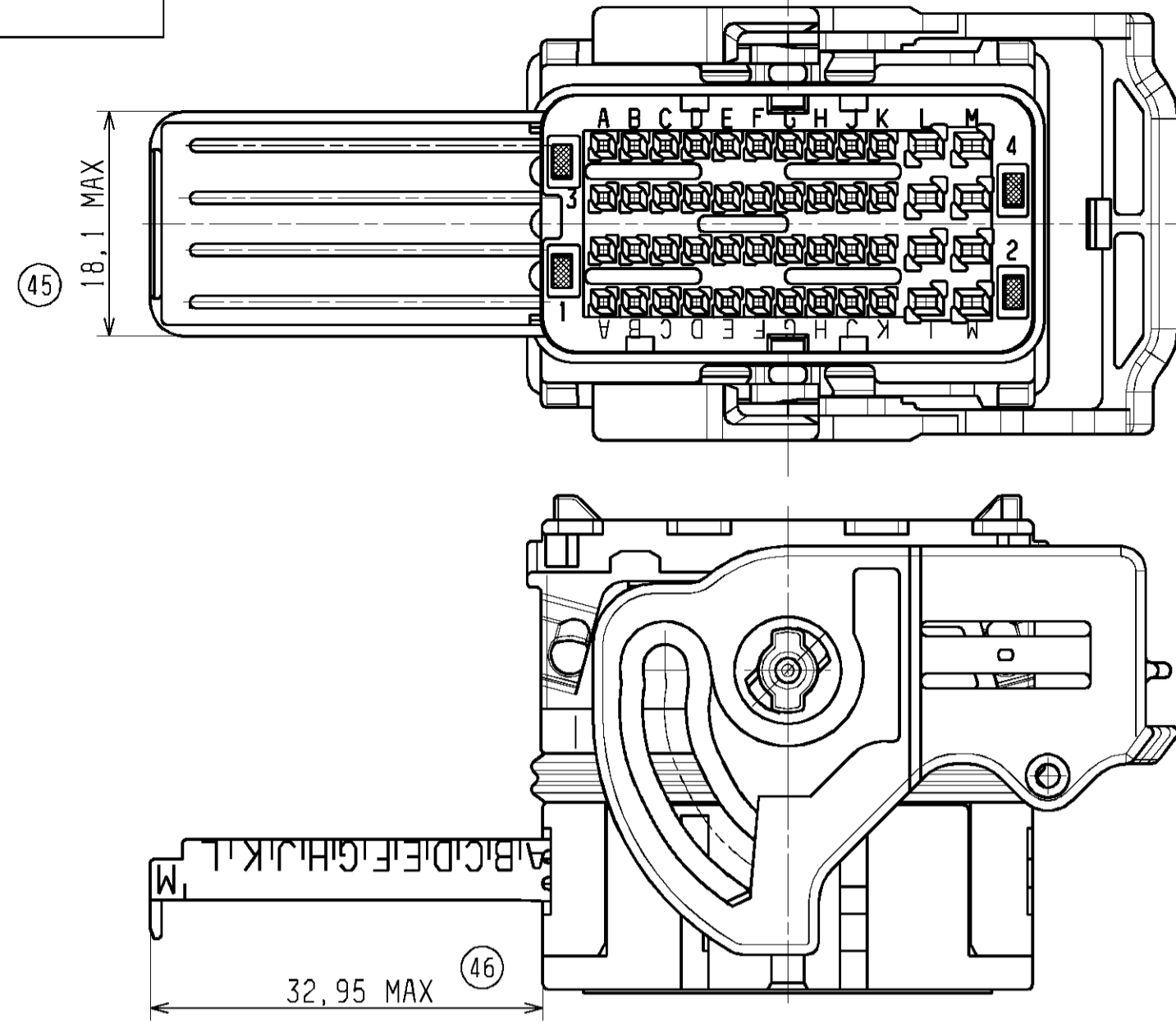
MARKINGS

- 1 Assembled part tracability day + year
- 2 Terminal cavities identification
- 3 Lever position indicator:
"D" LETTER VISIBLE= part with "LEVER ON THE RIGHT"
"G" LETTER VISIBLE= part with "LEVER ON THE LEFT"
- 4 Supplier identification
- 5 Material identification

GENERAL TOLERANCES (UNLESS SPECIFIED)		DIMENSION STYLE		SCALE	DESIGN UNITS	FIRST ANGLE PROJECTION
mm	INCH	MM ONLY		2.5:1	METRIC	⊙ ▷
4 PLACES ±	±	DRAWN BY TBADAROUX		DATE 2007/07/16		TITLE CMC CONNECTOR 48 WAY MATT SEAL VERSION
3 PLACES ±	±	CHECKED BY PGRANDCLAUDE		DATE 2007/07/16		
2 PLACES ± 0.1	±	APPROVED BY CBOUCHAN		DATE 2007/07/16		
1 PLACE ± 0.1	±	ANGULAR ± 2°		MATERIAL NO. SEE CHART		SHEET NO. 1 OF 2
DRAFT WHERE APPLICABLE MUST REMAIN WITHIN DIMENSIONS				DOCUMENT NO. SD-98993-008		
THIS DRAWING CONTAINS INFORMATION THAT IS PROPRIETARY TO MOLEX INCORPORATED AND SHOULD NOT BE USED WITHOUT WRITTEN PERMISSION						

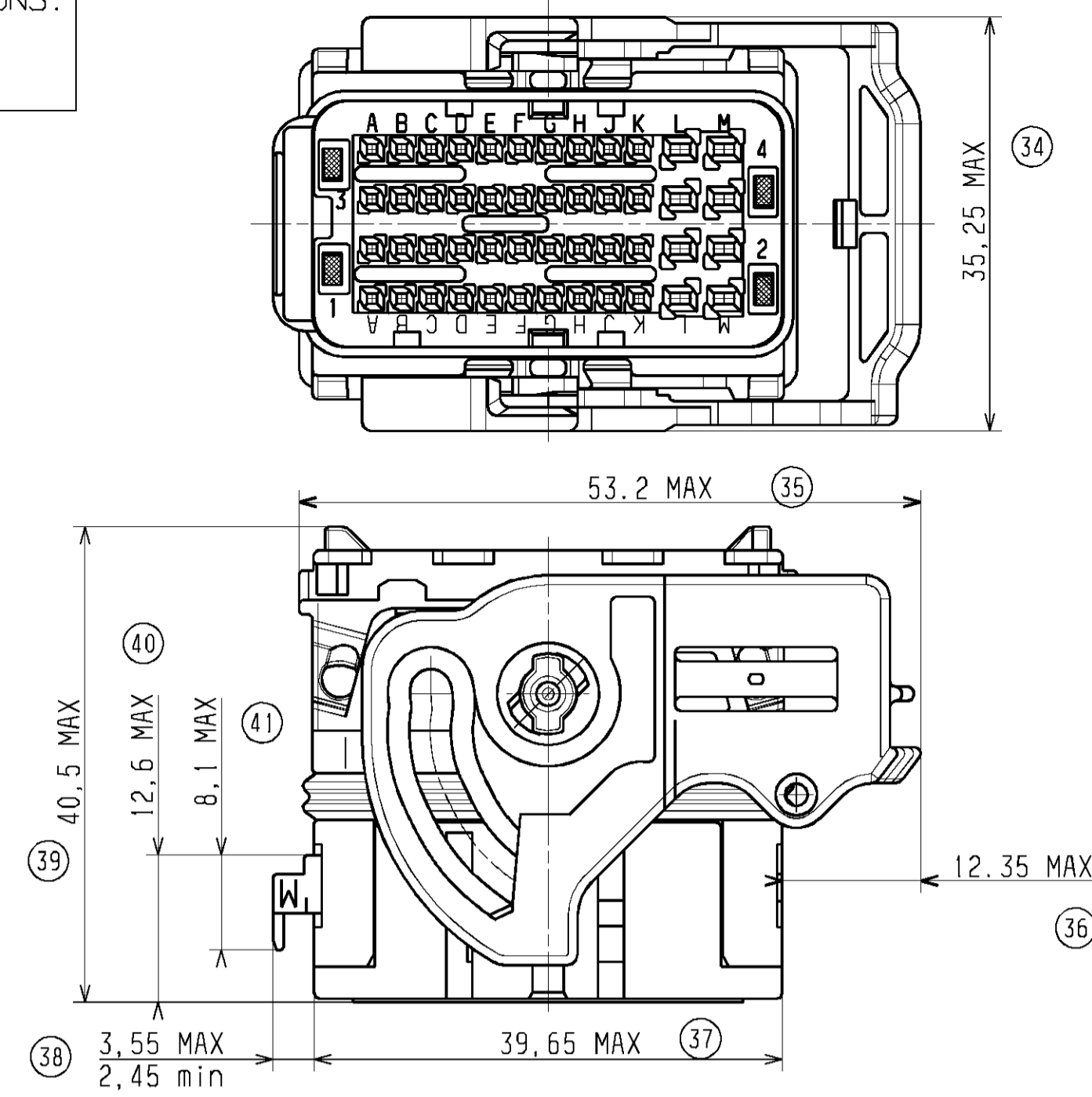
CONNECTOR OVERALL DIMENSIONS:
SECONDARY LOCKING FULLY OPENED
FOR TERMINAL INSERTION

RIGHT WIRE OUTPUT

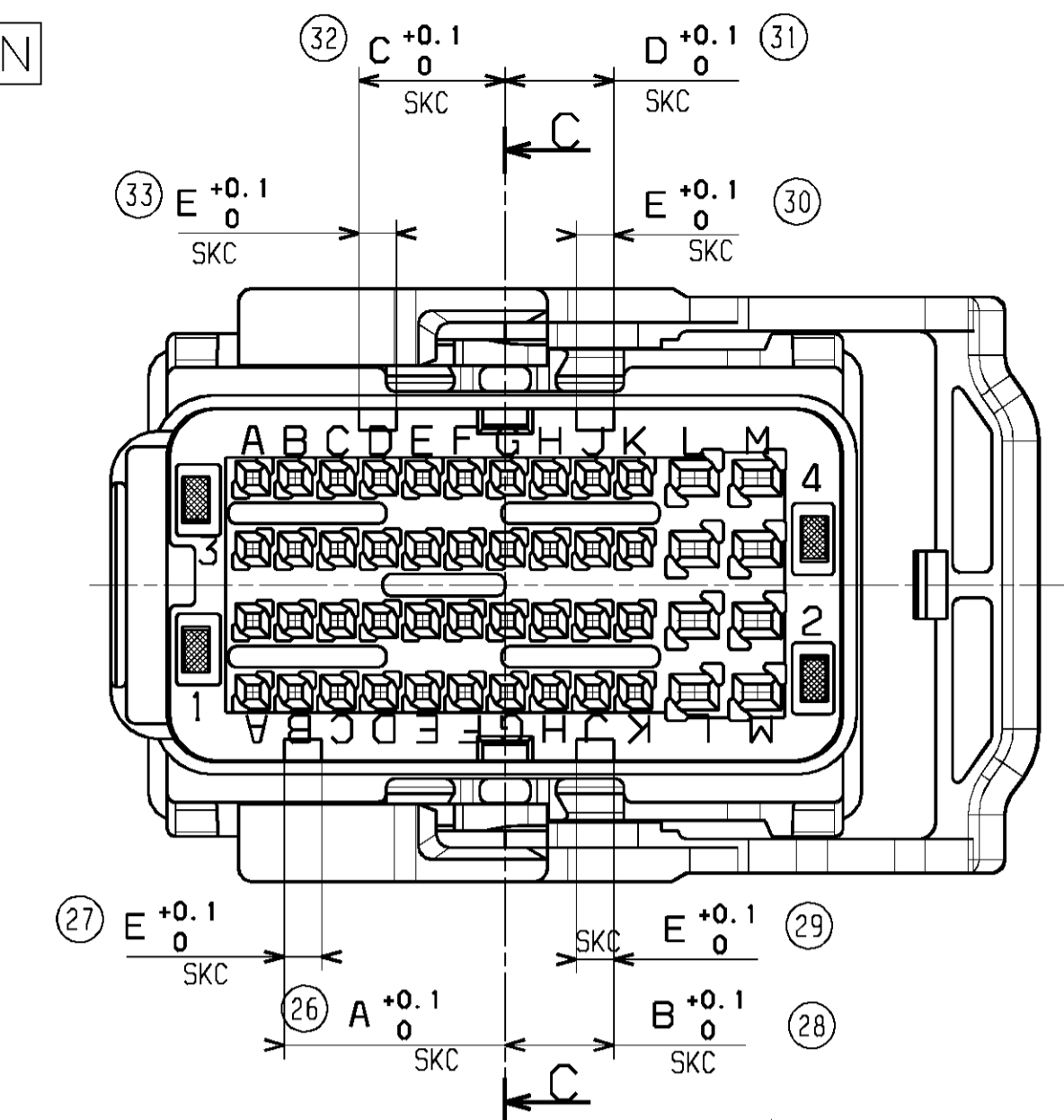


CONNECTOR OVERALL DIMENSIONS:
SECONDARY LOCKING IN
DELIVERY POSITION

RIGHT WIRE OUTPUT

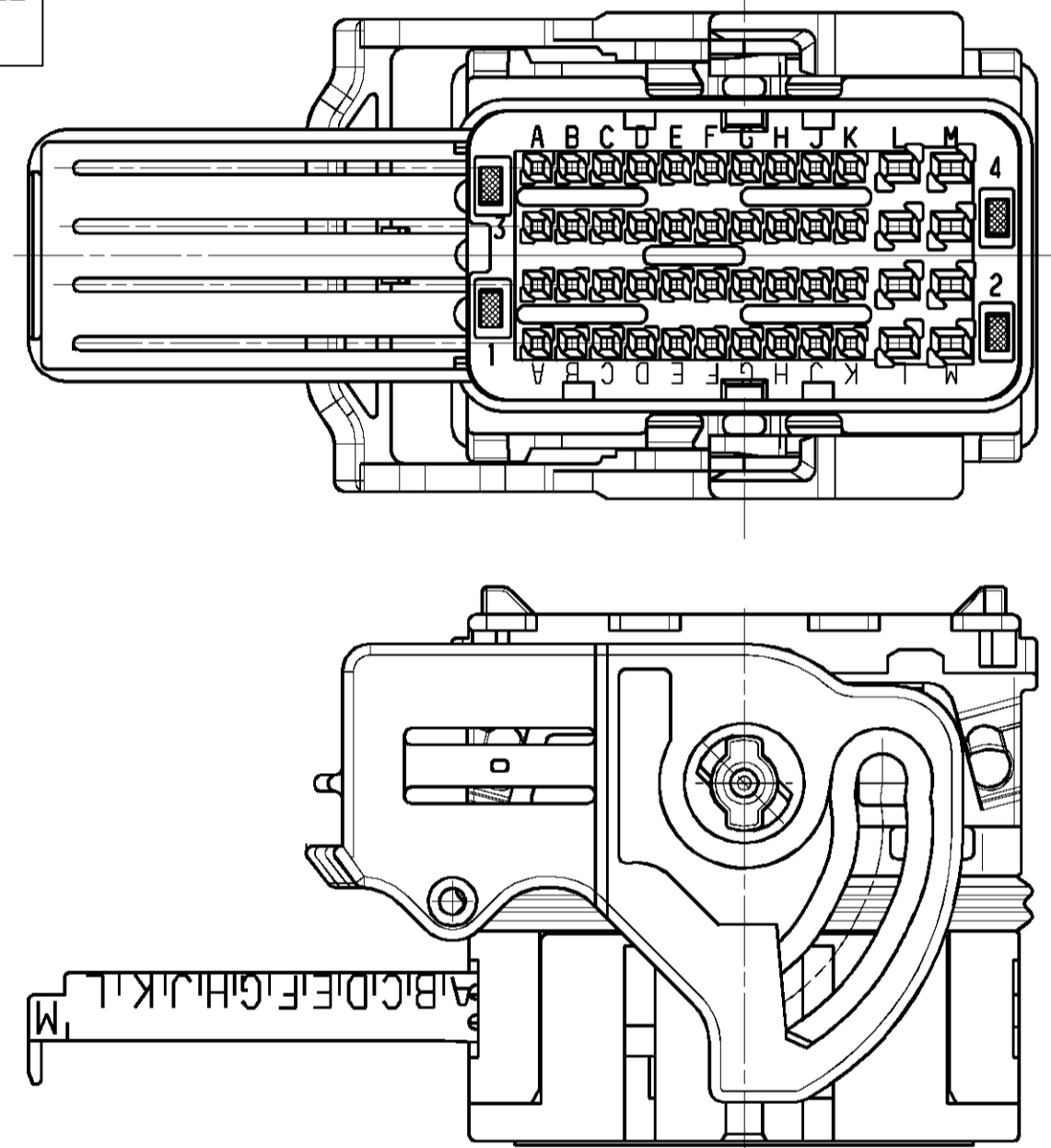


CODING POSITION



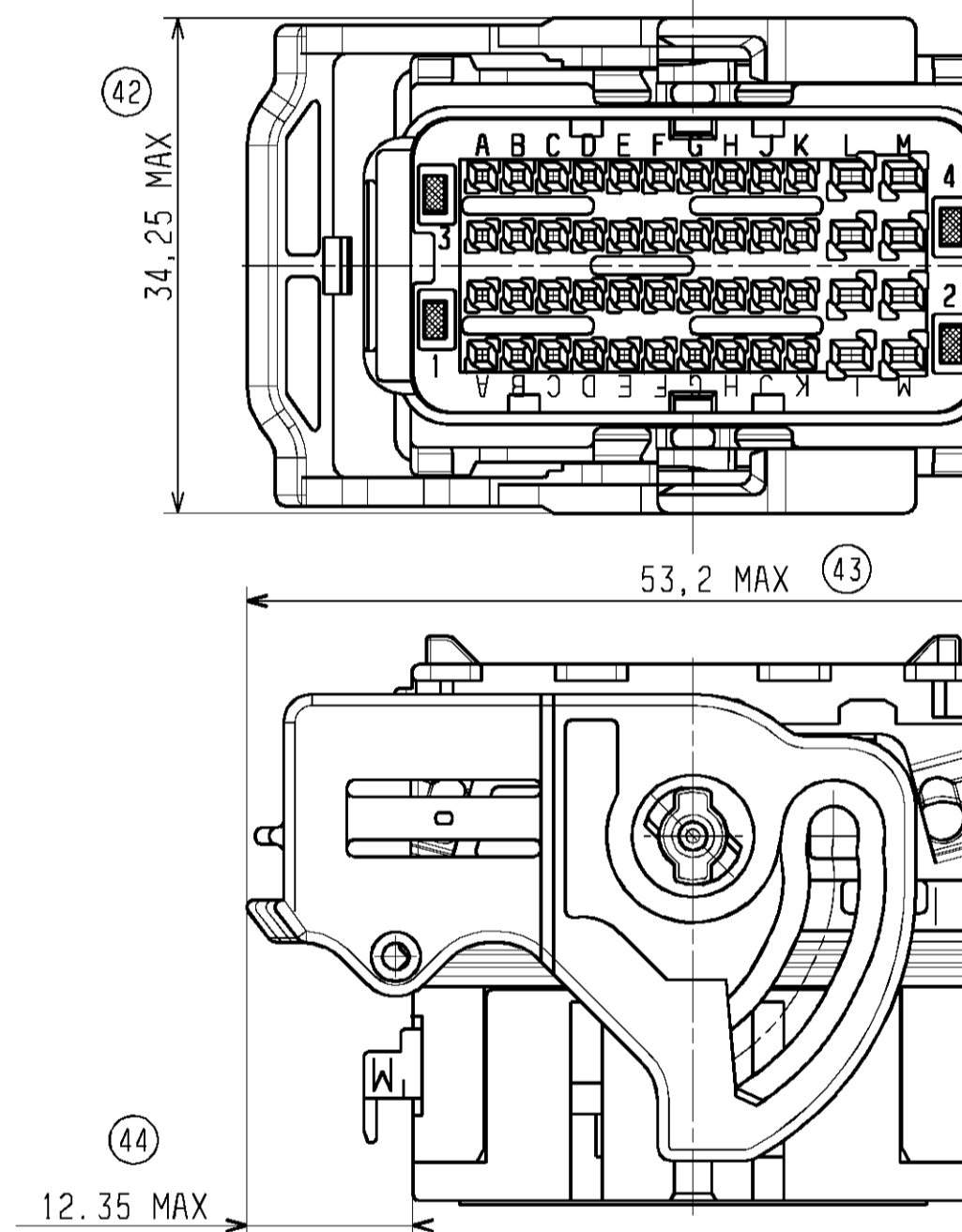
CONNECTOR OVERALL DIMENSIONS:
SECONDARY LOCKING FULLY OPENED
FOR TERMINAL INSERTION

LEFT WIRE OUTPUT

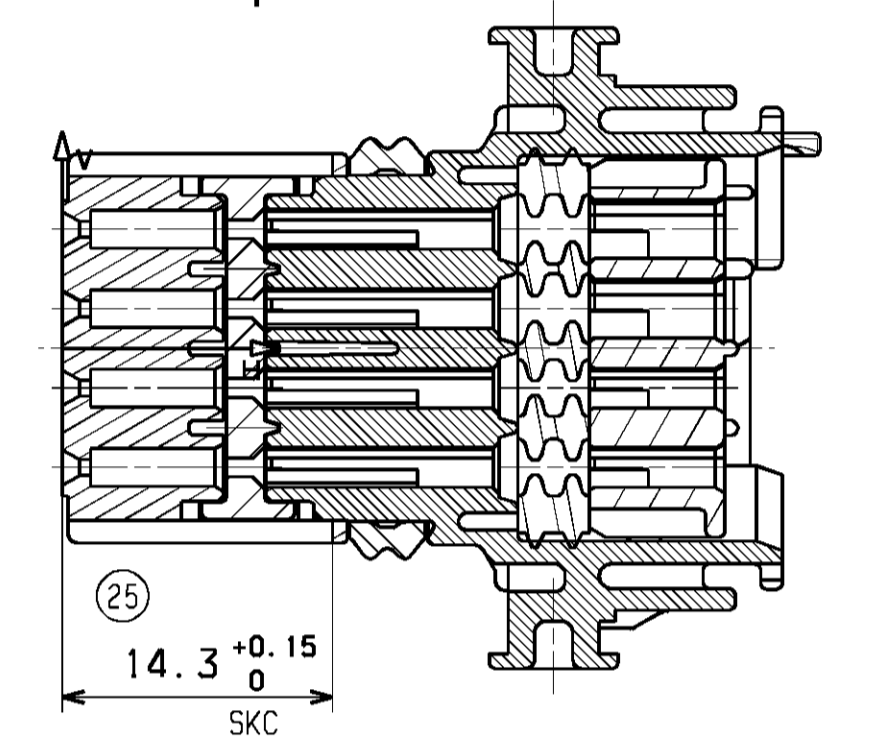


CONNECTOR OVERALL DIMENSIONS:
SECONDARY LOCKING IN
DELIVERY POSITION

LEFT WIRE OUTPUT



C-C
LOCKING LEVER NOT SHOWN



COLOR	KEYING	A ± 0.1	B ± 0.1	C ± 0.1	D ± 0.1	E ± 0.1
BLACK	1	13	6.4	8.6	6.4	2.2
GREY	2	10.8	8.6	13	8.6	2.2
BROWN	3	8.6	10.8	13	13	2.2
GREEN	4	10.8	13	6.4	6.4	2.2
BLUE	5	6.4	10.8	8.6	8.6	2.2
YELLOW	6	13	10.8	6.4	10.8	2.2

TERMINALS USED	MOLEX PART NUMBER				
		TIN PLATED TERMINAL		GOLD PLATED TERMINAL 1.27µm min	
CAVITIES IDENTIFICATION	FEMALE TERMINAL 0.635 A1 to F1 A2 to F2 A3 to F3 A4 to F4	(0.35 to 0.44 mm ²) 0643221019	(0.5 mm ²) 0643221039	(0.35 to 0.44 mm ²) 0643221229	(0.5 mm ²) 0643221239
			(0.75 mm ²) 0643221029		(0.75 mm ²) 0643221219
	FEMALE TERMINAL 1.50 G1 to G4 H1 to H4	(1 mm ²) 0643231029	(>1 to 2 mm ²) 0643231039	(1 mm ²) 0643231319	(>1 to 2 mm ²) 0643231219

SKC: CS CHARACTERISTICS

- ☒ DENOTES S.P.C DIMENSIONS
- ⊗ DENOTES CRITICAL DIMENSIONS
- DENOTES FUNCTIONAL DIMENSIONS

QUANTITY PER INDIVIDUAL SHEET

☒ 0 ⊗ 0 ● 0 SKC: 9

UPDATED DRAWING EC NO.:G2008-0367 DRWN: TBADAROUX 2008/04/21 CH:KO: PGRANDCLAUDE 2008/04/21 APPR: CBOUCHAN 2008/04/21	DESCRIPTION	GENERAL TOLERANCES (UNLESS SPECIFIED)	DIMENSION STYLE MM ONLY	SCALE 2:1	DESIGN UNITS METRIC	FIRST ANGLE PROJECTION																							
		<table border="1"> <tr> <th></th> <th>mm</th> <th>INCH</th> </tr> <tr> <td>4 PLACES</td> <td>±</td> <td>±</td> </tr> <tr> <td>3 PLACES</td> <td>±</td> <td>±</td> </tr> <tr> <td>2 PLACES</td> <td>± 0.1</td> <td>±</td> </tr> <tr> <td>1 PLACE</td> <td>± 0.1</td> <td>±</td> </tr> <tr> <td colspan="3">ANGULAR ± 2°</td> </tr> </table>		mm	INCH		4 PLACES	±	±	3 PLACES	±	±	2 PLACES	± 0.1	±	1 PLACE	± 0.1	±	ANGULAR ± 2°			<table border="1"> <tr> <td>DRAWN BY TBADAROUX</td> <td>DATE 2007/07/16</td> </tr> <tr> <td>CHECKED BY PGRANDCLAUDE</td> <td>DATE 2007/07/16</td> </tr> <tr> <td>APPROVED BY CBOUCHAN</td> <td>DATE 2007/07/16</td> </tr> </table>	DRAWN BY TBADAROUX	DATE 2007/07/16	CHECKED BY PGRANDCLAUDE	DATE 2007/07/16	APPROVED BY CBOUCHAN	DATE 2007/07/16	TITLE CMC CONNECTOR 48 WAY MATT SEAL VERSION
	mm	INCH																											
4 PLACES	±	±																											
3 PLACES	±	±																											
2 PLACES	± 0.1	±																											
1 PLACE	± 0.1	±																											
ANGULAR ± 2°																													
DRAWN BY TBADAROUX	DATE 2007/07/16																												
CHECKED BY PGRANDCLAUDE	DATE 2007/07/16																												
APPROVED BY CBOUCHAN	DATE 2007/07/16																												
DRAFT WHERE APPLICABLE MUST REMAIN WITHIN DIMENSIONS		THIS DRAWING CONTAINS INFORMATION THAT IS PROPRIETARY TO MOLEX INCORPORATED AND SHOULD NOT BE USED WITHOUT WRITTEN PERMISSION																											