

EBPC-5250

Embedded Industrial Chassis for 5.25" SBCs

NEW



Features

- Built-in 180 W, ATX, AC-to-DC power supply
- Supports maximum expansion of three PC-104 or PC-104-Plus cards
- Supports maximum two PCI expansion slots
- Two dummy I/O metal plates for quick and convenient customized I/O extension
- Supports drive space for one slim optical disk drive
- Anti-vibration design of one 3.5" HDD bay
- Compact, robust, simple and modularized service-friendly design

Specifications

Drive Bay	Slim Optical Disk Drive	Front-accessible	1	Internal	-
	3.5"	-	-	1	-
Cooling	FAN		1 (27.5 CFM)		
I/O Interface	Front I/O ports	Built-in: 4 x COM, 1 x Parallel, 1 x GPIO, 1 x VGA, 4 x USB, 2 x LAN, 1 x Mini DIN PS/2 mouse, 1 x Mini DIN PS/2 keyboard, 1 x Line in, 1 x Line out, 1 x Mic in			
	Rear I/O Ports	Reserved: 1 x DVI, 4 x USB, 4 x COM			
Miscellaneous	Notification LEDs	Reserved: 2 x LVDS, 1 x DVI, S-Video x 1, C-Video x 1 for the optional display module kit			
Environment		Operating	Non-Operating		
	Temperature	0 ~ 45° C (32 ~ 104° F)	-20 ~ 60° C (-4 ~ 140° F)		
	Humidity	10 ~ 85% @ 40° C, non-condensing	10 ~ 95% @ 40° C, non-condensing		
	Vibration (5 - 500 Hz)	1 Grms	2 G		
Physical Characteristics	Shock	10 G (with 11 ms duration, half sine wave)		30 G	
	Dimensions (W x H x D)	248 x 118 x 298 mm (9.8" x 4.6" x 11.7")			
	Weight	2.5 kg (5.5 lb)			

Power Supply Options

Part Number	Watt	Input	Output	Mini-load	Safety	MTBF
1757000277 (ATX)	180 W	AC 100 ~ 240 V	DC 3.3 V @ 16.8 A, DC 5 V @ 12.0 A, DC 12 V @ 10.0 A, DC 5 VSB @ 2.0 A, DC -12 V @ 0.8 A	+3.3 V @ 0.3 A, +5 V @ 0.3 A, +12 V @ 1.5 A	UL/TUV/CB/CCC	100,000 hours @ 25°C

Front View



Slim optical disk drive (optional)

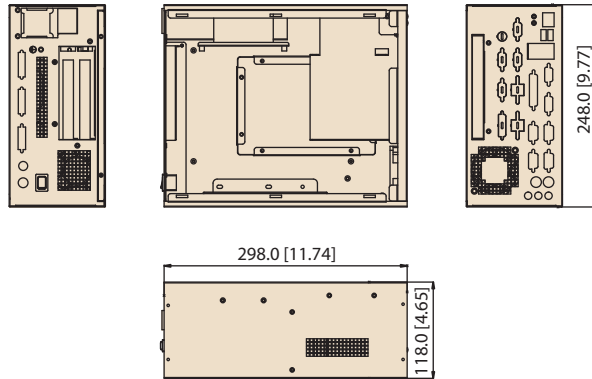
Rear View



Reserved openings for the optional display module kit

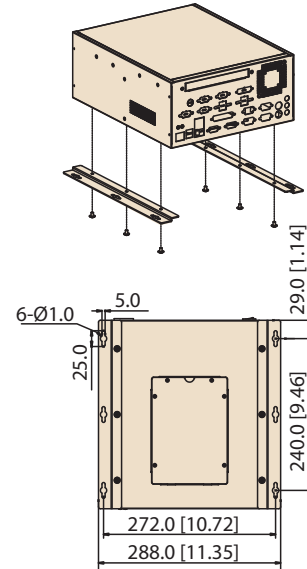
Dimensions

Unit: mm (inch)



Installation

Unit: mm (inch)



Accessories

Part Number	Description
9896525V00E	Universal display kit with LVDS x 2, DVI x 1, S-video x 1, C-video x 1 and cables
9896012100E	riser card with 2 PCI expansion slots
1700001757	IDE HDD cable, ATA133, 59 cm
1700000410	DVI cable 20 cm, connect from 5.25" SBC to front DVI port
SDVD-FDD-COMBOE	5.25" storage kit with slim 8X DVD, 24X CD-RW & standard 3.5" black FDD
96SDVR-8X-I-OP-B	Black slim 8X DVD-RW ROM drive
9668525004E	Cable kit for PCM-9581FG/9582FG/9584

Ordering Information

Part Number	Power Supply	5.25" SBC	Regulation
EBPC-5250-82CE	1757000277	PCM-9581/9582/ 9584/9586/9587	CE

* The necessary cables for the built-in I/O board are included in the accessory box.
 * If user chooses PCM-9581FG/9582FG/9584, please purchase the necessary cable kit.

Inside View



Bottom View



Bottom cover for maintaining the CF card