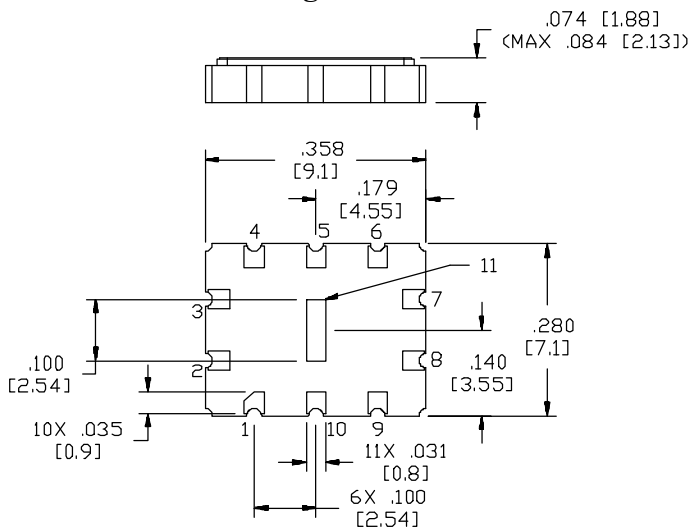


**TFH2666A SAW Filter**  
**Preliminary**

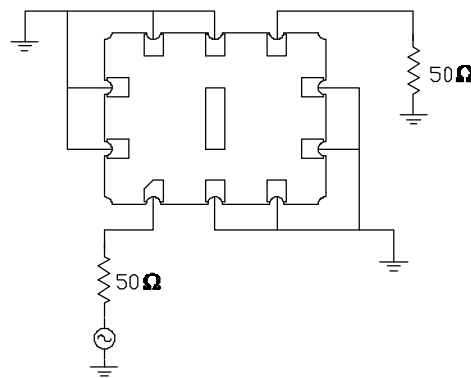
**2666.0571 MHz SAW Filter**  
**for Timing Recovery Applications**

Parameter*	Minimum	Nominal	Maximum	Unit
Center Frequency	2665.524	2666.0571	2666.590	MHz
Insertion Loss at 2488.32 MHz	13.0	16.5	20	dB
Loaded 3-dB Q	650	750	850	
Transmission Phase Slope		-0.07	-0.08	°/kHz
Phase Deviation from Linear			10	°
Jitter Transfer Function Peak		0	0.2	dB
Amplitude Variation			1	dB
Input / Output Return Loss	3.0			dB
First Sideband Rejection	23	25		dB
Ultimate Rejection (2 to 3 GHz)	23			dB
Operating Temperature	0		70	°C
Total Phase Drift over Temperature		30		°

**Package Outline**



**Source/Load Configuration**



9mmx7mm Leadless Chip Carrier  
Source/Load Impedance 50Ω  
\* Measured at 25°C