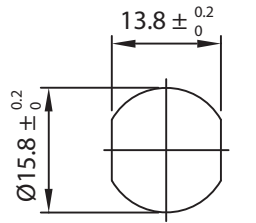
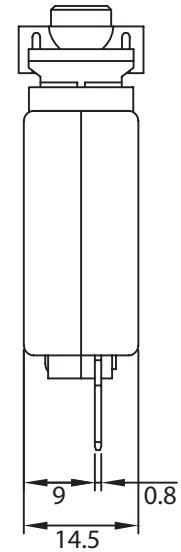
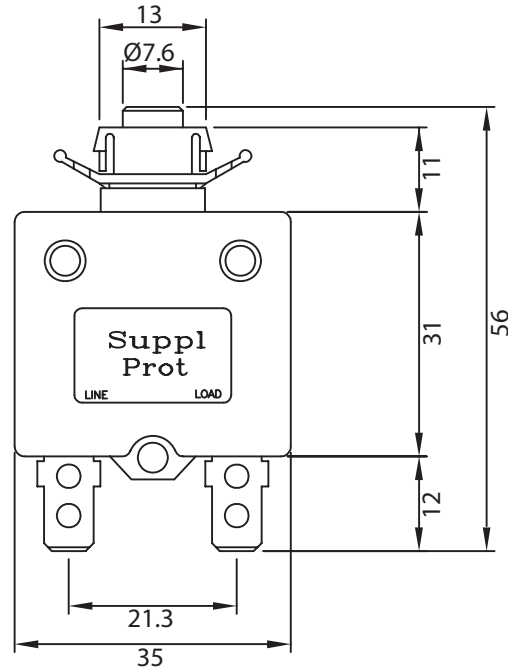
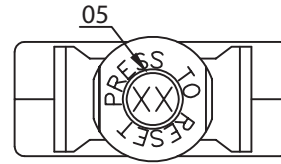
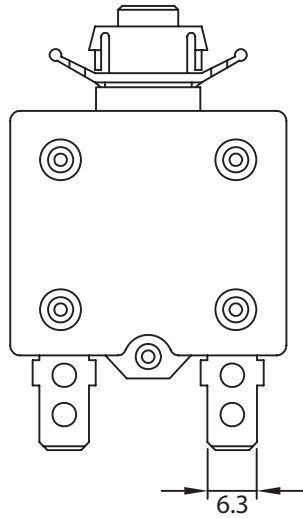


THESE DRAWINGS ARE THE PROPERTY OF QUALTEK ELECTRONICS AND NOT TO BE REPRODUCED FOR OR COMMUNICATED TO A THIRD PARTY WITHOUT THE EXPRESS WRITTEN PERMISSION OF AN OFFICER OF QUALTEK ELECTRONICS.

| REVISION | | | |
|----------|------------------|----------|----------|
| REV. | DESCRIPTION | DATE | APPROVED |
| B | Added Dimensions | 09-09-08 | LY |
| | | | |
| | | | |



PANEL CUTOUT



NOTES:

RATING: 5A 125-250V AC/32V DC
 PANEL THICKNESS: 0.8mm~2.5mm
 APPROVALS: UL, cUL, TUV, CCC, CE
 RoHS COMPLIANT

CONTROLLED

| Dim range (mm) | Tolerance +/- (mm) | Qualtek Electronics Corp. PPC DIVISION | | |
|----------------|--------------------|---|-----------------|---------------|
| | | Part Number: QLB-053-00DNN-3BA RoHS Compliant | | REV. B |
| 0-1 | 0.15 | Description: CIRCUIT BREAKER | | |
| 1-6 | 0.20 | UNIT: mm | Approved / Date | |
| 6-18 | 0.30 | | | |
| 18-50 | 0.50 | Checked / Date | LY / 06-03-08 | |
| 50-120 | 0.70 | | | |
| 120-250 | 0.90 | Drawn / Date | Approved / Date | |
| 250-500 | 1.20 | | | |
| | | R.Nuti 06-03-08 | 06-03-08 | LY / 06-03-08 |