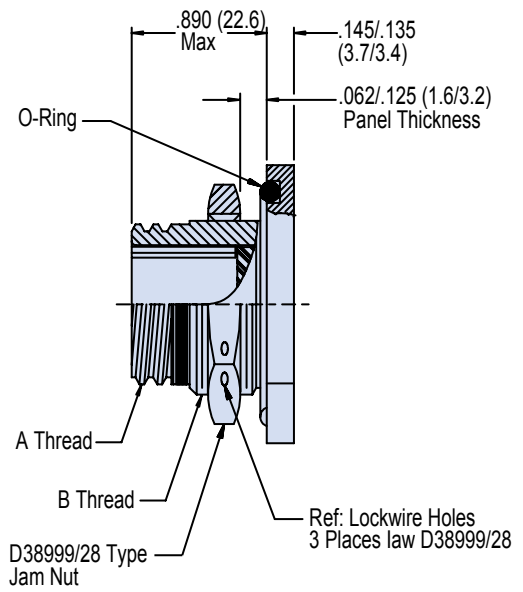
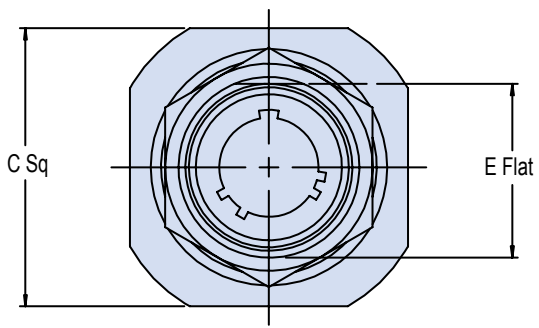
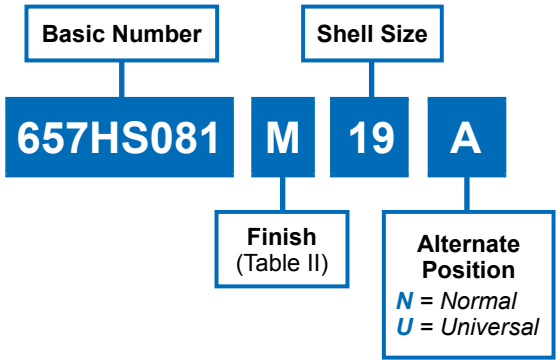




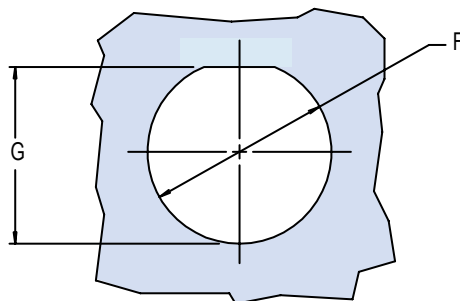
# 657HS081 Dummy Jam Nut Stowage Receptacle for MIL-DTL-38999 Series III Connector



- ### APPLICATION NOTES
- |  |  |
|--|--|
| <ol style="list-style-type: none"> <li>1. Assembly identified with manufacturer's name and part number, space permitting.</li> <li>2. Material/Finish:<br/>Adapter, Jam Nut - AL Alloy or Stainless Steel/See Table II).<br/>Seal - Silicone/N.A.</li> </ol> | <ol style="list-style-type: none"> <li>3. Modified major diameter: 1.252-1.258 (31.8-32.0).</li> <li>4. Threads to be lubed.</li> <li>5. Metric dimensions (mm) are in parentheses.</li> </ol> |
|--|--|



# 657HS081 Dummy Jam Nut Stowage Receptacle for MIL-DTL-38999 Series III Connector



Recommended  
Panel Cut-out

TABLE I: DIMENSIONS

Shell Size	Shell Size Ref	A Thread Class 2A	B Thread Class 2A 0.100R	C	E Flat +.004 (0.1) -.006 (0.2)	F +.010 (0.3) -.000 (0)	G +.000 (0) -.010 (0.3)
09	A	.625-.1P-3LTS	M17 x 1 - 6g	1.062 (27.0)	.651 (16.5)	.697 (17.7)	.669 (17.0)
11	B	.750-.1P-3LTS	M20 x 1 - 6g	1.250 (31.8)	.751 (19.1)	.822 (20.9)	.769 (19.5)
13	C	.875-.1P-3LTS	M25 x 1 - 6g	1.375 (34.9)	.938 (23.8)	1.007 (25.6)	.955 (24.3)
15	D	1.000-.1P-3LTS	M28 x 1 - 6g	1.500 (38.1)	1.061 (26.9)	1.134 (28.8)	1.084 (27.5)
17	E	1.187-.1P-3LTS	M32 x 1 - 6g*	1.625 (41.3)	1.187 (30.1)	1.259 (32.0)	1.208 (30.7)
19	F	1.250-.1P-3LTS	M35 x 1 - 6g	1.812 (46.0)	1.312 (33.3)	1.384 (35.2)	1.333 (33.9)
21	G	1.375-.1P-3LTS	M38 x 1 - 6g	1.931 (49.0)	1.437 (36.5)	1.501 (38.1)	1.459 (37.1)
23	H	1.500-.1P-3LTS	M41 x 1 - 6g	2.062 (52.4)	1.562 (39.7)	1.634 (41.5)	1.584 (40.2)
25	J	1.625-.1P-3LTS	M44 x 1 - 6g	2.188 (55.6)	1.687 (42.8)	1.759 (44.7)	1.709 (43.4)

\*See Note 3.

TABLE II: FINISHES

Symbol	Finish
M	Electroless Nickel/Aluminum
NF	Cadmium Plate, Olive Drab over Electroless Nickel/Aluminum (500-Hour Salt Spray)
MT	Ni-PTFE 1000 Hour Grey™ Nickel Fluorocarbon Polymer
MT	Ni-PTFE 1000 Hour Grey™ Nickel Fluorocarbon Polymer/ Aluminum
AL	Electrodeposited Zinc-Nickel/ Aluminum (See Note 4)
ZR	Black ZN-NI/Aluminum
Z1	300 Series SST/Passivated
ZL	300 Series SST/Nickel Plated