

PLEASE CHECK WWW.MOLEX.COM FOR LATEST PART INFORMATION

Part Number: [0359790220](#)
Status: **Active**
Description: 7.92mm (.312") Pitch Wire-to-Board Header, Right Angle, 2 Circuits, Natural, Nylon

Documents:

[3D Model](#) [Product Specification PS-35979-001 \(PDF\)](#)
[Drawing \(PDF\)](#) [RoHS Certificate of Compliance \(PDF\)](#)

Agency Certification

CSA	LR19980
TUV	R72090224
UL	E29179

General

Product Family	PCB Headers
Series	35979
Application	Wire-to-Board
Product Name	MV-396™

Physical

Breakaway	No
Circuits (Loaded)	2
Circuits (maximum)	2
Color - Resin	Natural
Durability (mating cycles max)	30
First Mate / Last Break	No
Flammability	94V-0
Glow-Wire Compliant	No
Guide to Mating Part	No
Keying to Mating Part	None
Lock to Mating Part	Yes
Material - Metal	Brass
Material - Plating Mating	Tin
Material - Plating Termination	Tin
Material - Resin	Nylon
Number of Rows	1
Orientation	Right Angle
PC Tail Length (in)	0.146 In
PC Tail Length (mm)	3.70 mm
PCB Locator	No
PCB Retention	None
PCB Thickness Recommended (in)	0.062 In
PCB Thickness Recommended (mm)	1.60 mm
Packaging Type	Bag
Pitch - Mating Interface (in)	0.156 In
Pitch - Mating Interface (mm)	3.96 mm
Pitch - Term. Interface (in)	0.156 In
Pitch - Term. Interface (mm)	3.96 mm
Polarized to Mating Part	No
Polarized to PCB	No
Shrouded	No
Stackable	Yes
Surface Mount Compatible (SMC)	No
Temperature Range - Operating	-25°C to +85°C
Termination Interface: Style	Through Hole

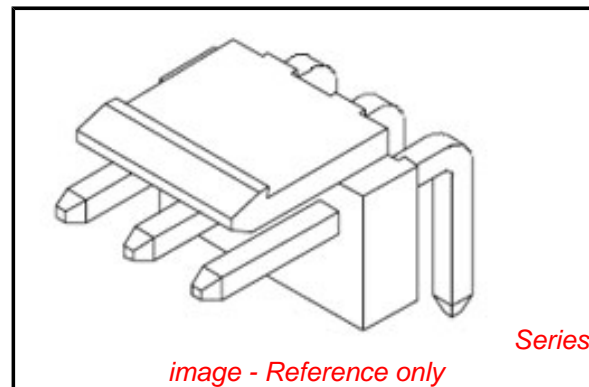


image - Reference only

EU RoHS

**ELV and RoHS
Compliant**
REACH SVHC
 Not Reviewed
**Halogen-Free
Status**
Not Reviewed

China RoHS



**Need more information on product
environmental compliance?**

Email productcompliance@molex.com
 For a multiple part number RoHS Certificate of
 Compliance, [click here](#)

Please visit the [Contact Us](#) section for any
 non-product compliance questions.

Search Parts in this Series

[35979Series](#)

Mates With

[35977 Wire-to-Board Housing](#)

Electrical

Current - Maximum per Contact

7A

Voltage - Maximum

250V

Material Info**Reference - Drawing Numbers**

Product Specification

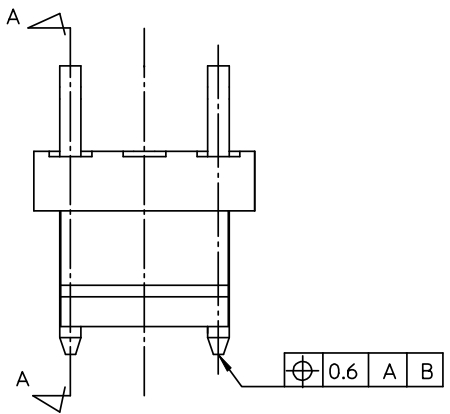
PS-35979-001

Sales Drawing

SD-35979-002

This document was generated on 05/21/2010

PLEASE CHECK WWW.MOLEX.COM FOR LATEST PART INFORMATION

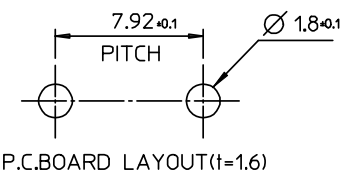
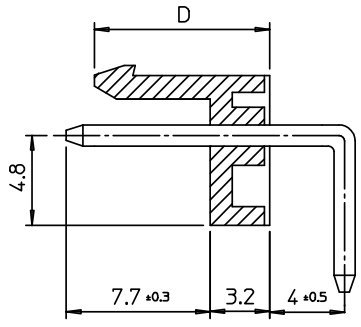
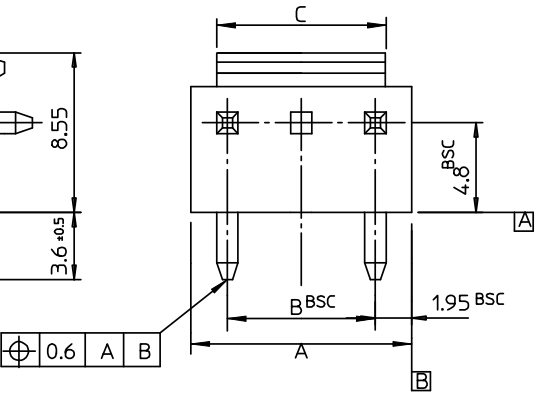
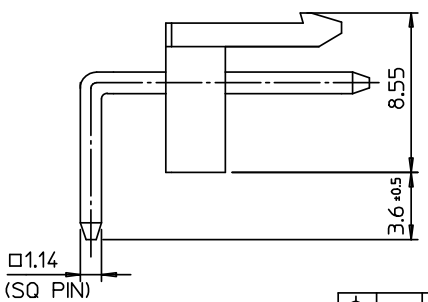


NOTES

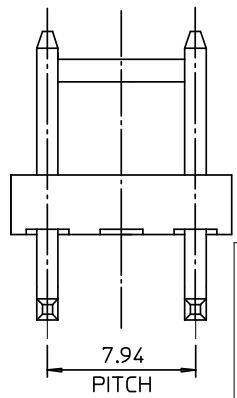
- MATERIAL : HEADER - PA66, PBT/PC
PIN : BRASS(CDA 2700)
- FINISHES : PIN
THICKNESS - TIN PLATED 3.0 MICROMETER MIN.
OVER Cu 1.5 MICROMETER MIN.
- PRODUCT SPECIFICATION : PS-35979-002

LEGEND

- 35979-****
- COLOR : 0 - WHITE
1 - BLACK
2 - RED
3 - YELLOW
4 - BLUE
 - PIN TYPE : RIGHT ANGLE MATERIAL : 2 : PA66 5 : PBT/PC
 - CIRCUIT NO. (02,03,04...)



SECTION A-A



9.4	56.50	55.44	59.40	3597908**	35979-08**	8	15
	48.58	47.52	51.48	3597907**	35979-07**	7	13
	40.66	39.60	43.56	3597906**	35979-06**	6	11
9.7	32.74	31.68	35.64	3597905**	35979-05**	5	9
	24.82	23.76	27.72	3597904**	35979-04**	4	7
	16.90	15.84	19.80	3597903**	35979-03**	3	5
D	C	B	A	MAT'L NO	ENG NO.	CKT	N

REVISED	DESCRIPTION
EC NO: KOR2008-0143	2008/02/26
DRWN: JHPARK01	2008/02/26
CHKD: WY. YANG	2008/02/26
APPR: YUNS.IKK.M	2008/02/27

QUALITY SYMBOLS	GENERAL TOLERANCES (UNLESS SPECIFIED)
▽=0	mm INCH
∇=0	4 PLACES ± --- ± ---
	3 PLACES ± --- ± ---
	2 PLACES ± --- ± ---
	1 PLACE ± 0.2 ± ---
	ANGULAR ± 2 °
	DRAFT WHERE APPLICABLE MUST REMAIN WITHIN DIMENSIONS

DIMENSION STYLE		SCALE	DESIGN UNITS	THIRD ANGLE PROJECTION
MM ONLY		3.5:1	METRIC	
DRAWN BY	DATE	TITLE		
YR. WI	1999/05/07	7.92 PITCH W-T-B CONN. HEADER ASSY(R/A)		
CHECKED BY	DATE	MOLEX INCORPORATED		
JK. OH	1999/05/07	SD-35979-002		
APPROVED BY	DATE	SHEET NO.		
CW. LEE	1999/05/07	1 OF 01		
MATERIAL NO.		DOCUMENT NO.		
SEE TABLE				

MATERIAL NO.		DOCUMENT NO.		SHEET NO.
SEE TABLE				1 OF 01