

PLEASE CHECK WWW.MOLEX.COM FOR LATEST PART INFORMATION

Part Number: [0907799003](#)
Status: **Active**
Description: 1.27mm (.050") Pitch Picoflex® PF-50 Header, Vertical, Low Profile, High Temperature Surface Mount Compatible, 8 Circuits, Glow Wire Compatible

Documents:

[3D Model](#) [Product Specification PS-99020-0011 \(PDF\)](#)
[Drawing \(PDF\)](#) [RoHS Certificate of Compliance \(PDF\)](#)

General

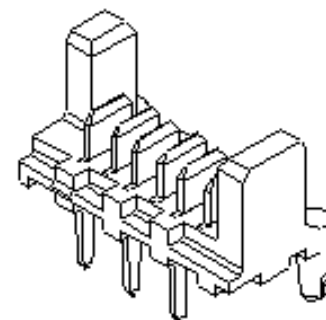
Product Family PCB Headers
 Series [90779](#)
 Application Wire-to-Board
 Application Tooling Part Link 690081070
 Product Name Picoflex®

Physical

Breakaway No
 Circuits (Loaded) 8
 Color - Resin Natural
 Durability (mating cycles max) 100
 First Mate / Last Break No
 Glow-Wire Compliant Yes
 Guide to Mating Part No
 Keying to Mating Part None
 Lock to Mating Part Yes
 Material - Metal Brass
 Material - Plating Mating Gold
 Material - Resin High Temperature Thermoplastic
 Number of Rows 1
 Orientation Vertical
 PCB Locator Yes
 PCB Retention Yes
 PCB Thickness Recommended (in) 0.063 In
 PCB Thickness Recommended (mm) 1.60 mm
 Packaging Type Tube
 Pitch - Mating Interface (in) 0.050 In
 Pitch - Mating Interface (mm) 1.27 mm
 Pitch - Term. Interface (in) 0.050 In
 Pitch - Term. Interface (mm) 1.27 mm
 Plating min: Mating (µin) 30.4
 Plating min: Mating (µm) 0.76
 Plating min: Termination (µin) 120
 Plating min: Termination (µm) 3
 Polarized to Mating Part Yes
 Polarized to PCB Yes
 Shrouded Open Ends
 Stackable No
 Surface Mount Compatible (SMC) Yes
 Temperature Range - Operating -40°C to +105°C
 Termination Interface: Style Through Hole

Electrical

Current - Maximum per Contact 1.2A
 Voltage - Maximum 250V AC/DC



Series
image - Reference only

EU RoHS

ELV and RoHS Compliant
REACH SVHC Contains SVHC: No
Halogen-Free Status
Not Reviewed

China RoHS



Need more information on product environmental compliance?

Email productcompliance@molex.com
 For a multiple part number RoHS Certificate of Compliance, [click here](#)

Please visit the [Contact Us](#) section for any non-product compliance questions.

Search Parts in this Series

[90779Series](#)

Mates With

[90327 IDT Connector](#)

Application Tooling | FAQ

Tooling specifications and manuals are found by selecting the products below. Crimp Height Specifications are then contained in the Application Tooling Specification document.

Global

Description	Product #
Extraction Tool (Plastic) for 90327 Connector, 4-26 Circuit	0690081070

Material Info

Reference - Drawing Numbers

Product Specification

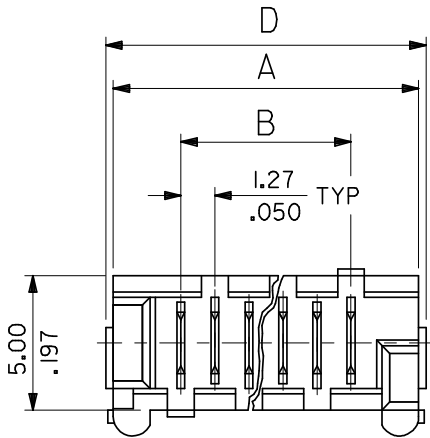
Sales Drawing

PS-99020-0011

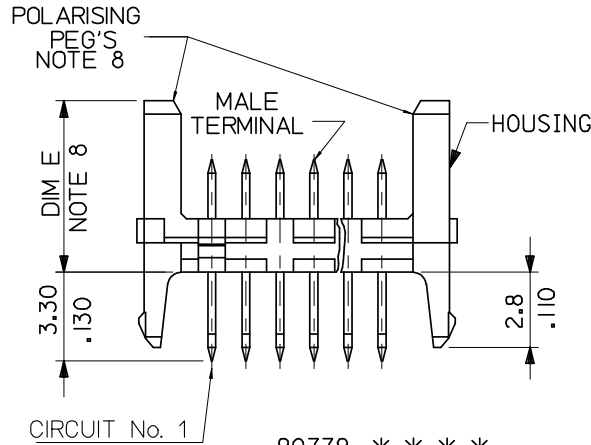
SDA-90779

This document was generated on 04/09/2010

PLEASE CHECK WWW.MOLEX.COM FOR LATEST PART INFORMATION



MOULD BASE COLOUR: NATURAL



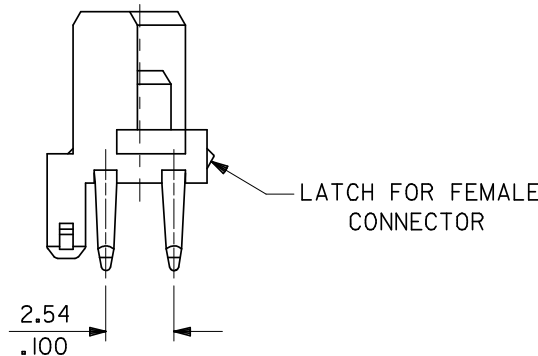
CIRCUIT No. 1

90779-****

0 = 4-6um TIN ASSY
 3 = 0.76um GOLD ASSY
 7 = 0.76um GOLD, TUBED
 9 = 4-6um TIN ASSY TUBED

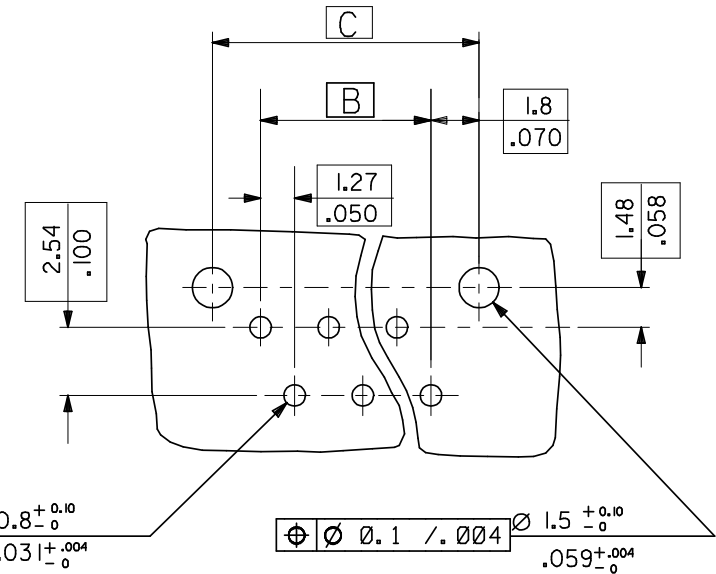
CIRCUIT SIZE 04CKT TO 26CKT
 -SEE TABLE ABOVE FOR PART CODE

0 - STANDARD
 9 - SHORT VERSION



LATCH FOR FEMALE CONNECTOR

PCB LAYOUT VIEWED FROM SOLDER SIDE.
 BOARD 1.60 ± 0.14 THK
 .063 ± 0.006 THK.



90779-***13	26	36.80 / 1.449	31.75 / 1.250	35.35 / 1.392	37.26 / 1.467	14
↑ -**12	24	34.26 / 1.349	29.21 / 1.150	32.81 / 1.292	34.72 / 1.367	15
-**11	22	31.72 / 1.249	26.67 / 1.050	30.27 / 1.192	32.18 / 1.267	16
-**10	20	29.18 / 1.149	24.13 / .950	27.73 / 1.092	29.64 / 1.167	18
-**08	18	26.64 / 1.049	21.59 / .850	25.19 / .992	27.10 / 1.067	19
-**07	16	24.10 / .949	19.05 / .750	22.65 / .892	24.56 / .967	22
-**06	14	21.56 / .849	16.51 / .650	20.11 / .792	22.02 / .867	24
-**05	12	19.02 / .749	13.97 / .550	17.57 / .692	19.48 / .767	27
-**04	10	16.48 / .649	11.43 / .450	15.03 / .592	16.94 / .667	32
-**03	8	13.94 / .549	8.89 / .350	12.49 / .492	14.40 / .567	36
↓ -**02	6	11.40 / .449	6.35 / .250	9.95 / .392	11.86 / .467	44
90779-**01	4	8.86 / .349	3.81 / .150	7.41 / .292	9.32 / .367	57
PART NO.	NO. OF CKTS	DIM. A	DIM. B	DIM. C	DIM. D	NO. ASSYS IN TUBE

NOTES

- HOUSING. NYLON 46, GLASS FILLED UL 94 V-0, NATURAL (WHITE).
- TERMINAL. BRASS
 PLATING. TIN: 0.00127mm/.011" MIN NICKEL
 UNDER 0.004-0.006mm/.160-.240" TIN
 PLATING. GOLD: 0.00127mm/.050" MIN. NICKEL
 UNDER 0.003-0.005mm/.120-.200" TIN SELECTIVE
 AND 0.00076mm/.030" SELECTIVE GOLD
- APPLICATION CLASS TO DIN 40040 HME (-25°C/+100°C)
- PIN PUSH FORCE 7N
- TEST VOLTAGE: 750V.A.C./1 MIN
- COMPATIBLE WITH MOLEX PART 90327
- PRODUCT SPECIFICATION: PS-99020-0011
- POLARISING PEG AVAILABLE IN 2 OPTIONS
 DIM E: STANDARD 6.40mm/.252"
 DIM E: SHORT VERSION 4.10mm/.161"

ADDED PART NUMBERS SHORT POL PEG VERSION EC NO: E2008-0379	2008/02/28 2008/02/28 2008/02/28	DRWN: DBYRNES CHKD: APPR: J WALLACE	DESCRIPTION	QUALITY SYMBOLS ▽=0 ▽C=0
--	--	---	-------------	--------------------------------

GENERAL TOLERANCES (UNLESS SPECIFIED)		DIMENSION STYLE MM/IN		SCALE 5:1	DESIGN UNITS METRIC	THIRD ANGLE PROJECTION
4 PLACES ± ---	± .008	mm	INCH	DRAWN BY BGB	DATE 1992/08/21	HEADER ASSEMBLY
3 PLACES ± 0.20	± .008			CHECKED BY DMOR I ARTY	DATE 2004/12/03	
2 PLACES ± 0.20	± ---			APPROVED BY J DENNEHY	DATE 2004/12/03	
1 PLACE ± ---	± ---			MATERIAL NO. SEE CHART	DOCUMENT NO. SDA-90779	
DRAFT WHERE APPLICABLE MUST REMAIN WITHIN DIMENSIONS		ANGULAR ± ---°		THIS DRAWING CONTAINS INFORMATION THAT IS PROPRIETARY TO MOLEX INCORPORATED AND SHOULD NOT BE USED WITHOUT WRITTEN PERMISSION		SHEET NO. 1 OF 1