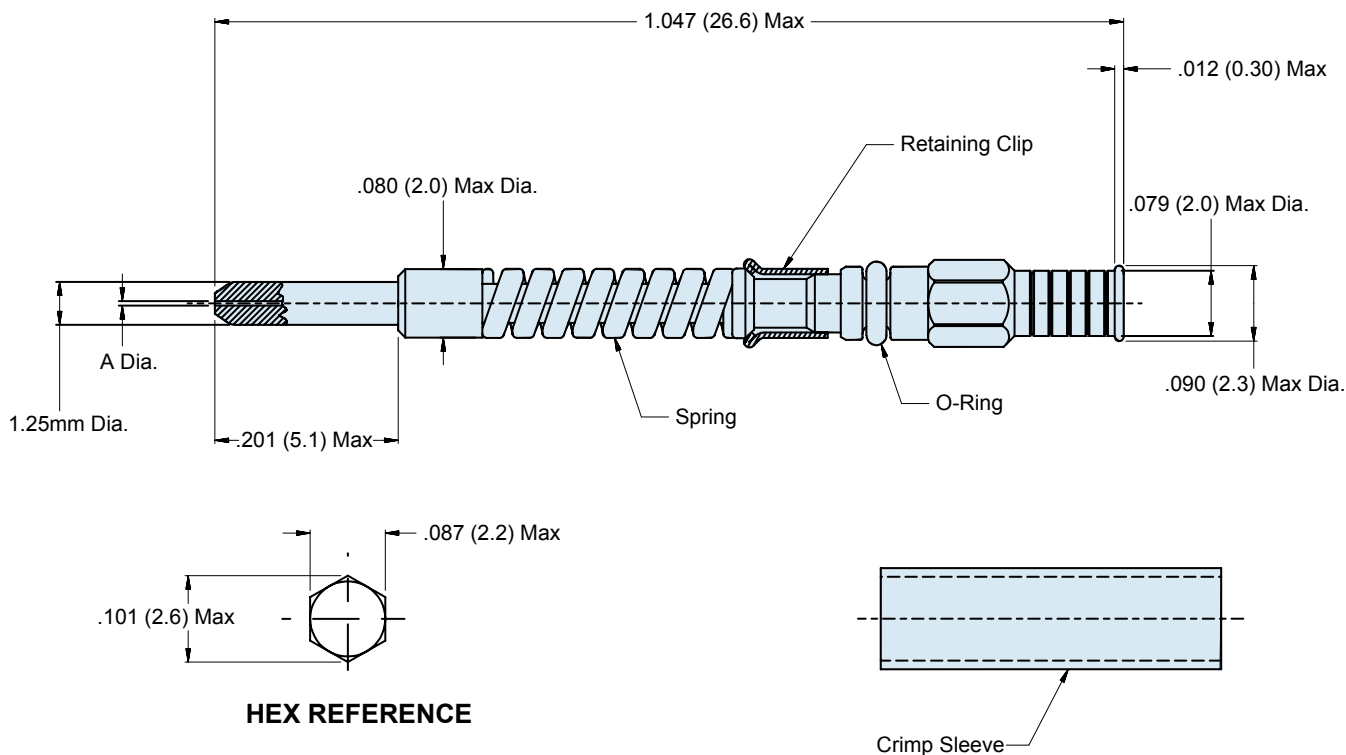




181-041
GHD • Glenair High Density
Fiber Optic Connection System
18 AWG Tunable Fiber Optic Pin Terminus

181-041 - 1260 C

Product Series ————
 Basic Number ————
 Dash Number, Table 1 ————
 Optional Crimp Sleeve (Omit for None) ————



APPLICATION NOTES

- | | |
|--|---|
| <p>1. Material/ Finishes:
 Ferrule: Zirconia Ceramic/ N.A.
 Terminus Assembly: Stainless Steel/ Passivate
 Retaining Clip: Spring Alloy
 Spring: High Tensile Stainless Steel/ Passivate
 O-Ring: Fluorosilicone
 Crimp Sleeve: Brass Alloy/Nickel</p> | <p>2. Assembly packaged in plastic bag and tag identified with manufacturer's name and part number.
 3. Crimp Sleeve (265-002) may be ordered separately,</p> |
|--|---|

181-041
GHD • Glenair High Density
Fiber Optic Connection System
18 AWG Tunable Fiber Optic Pin Terminus



TABLE I: DASH NUMBER		
Assembly Dash Number	A Dia. Microns	Fiber Type
181-041-1250	125.0	SM
181-041-1255	125.5	SM
181-041-1260	126.0	SM & MM
181-041-1270	127.0	MM
181-041-1420	142.0	MM
181-041-1450	145.0	MM
181-041-1560	156.0	MM
181-041-1570	157.0	MM
181-041-1730	173.0	MM
181-041-1750	175.0	MM
181-041-2360	236.0	MM
181-041-2850	285.0	MM
181-041-4480	448.0	MM

SM = Singlemode
MM = Multimode

TABLE II: TERMINUS ACCESSORIES	
Part Number	Accessory
182-018	Polishing Tool, PC*
182-012	Crimp Tool
182-013	Insertion Tool, Straight
182-011-18	Removal Tool

* Consult Factory for APC Polishing Tool