

PLEASE CHECK WWW.MOLEX.COM FOR LATEST PART INFORMATION

Part Number: **0505988100**
Status: **Active**
Description: 3.96mm (.156") Pitch Wire-to-Wire and 6.50mm (.256") Pitch Wire-to-Board Crimp Terminal, Female, 50598, 20-26 AWG, Bag

Documents:

Drawing (PDF)	Product Specification PS-51142-002 (PDF)
Product Specification PS-51138-001 (PDF)	Product Specification PS-51142-003 (PDF)
Product Specification PS-51138-002 (PDF)	RoHS Certificate of Compliance (PDF)

General

Product Family	Crimp Terminals
Series	<u>50598</u>
Crimp Quality Equipment	Yes
Product Name	N/A

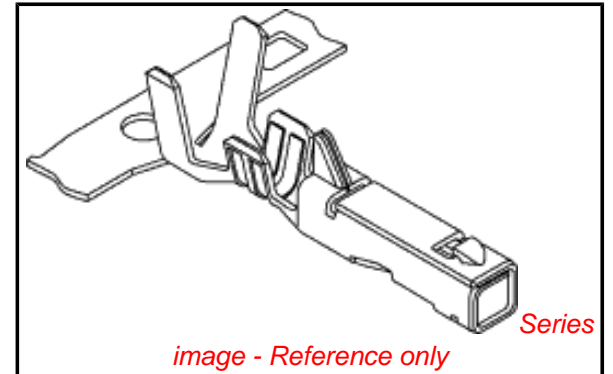
Physical

Gender	Female
Material - Metal	Copper
Material - Plating Mating	Tin
Material - Plating Termination	Tin
Packaging Type	Bag
Termination Interface: Style	Crimp or Compression
Wire Insulation Diameter	1.20-2.35mm (.047-.093")
Wire Size AWG	20, 22, 24, 26
Wire Size mm ²	N/A

Material Info

Reference - Drawing Numbers

Product Specification	PS-51138-001, PS-51138-002, PS-51142-002, PS-51142-003, RPS-51142-001, RPS-51142-002, RPS-51142-003, RPS-51142-004, RPS-51142-005, RPS-51142-006, RPS-51142-007, RPS-51142-008
Sales Drawing	SD-50598-8*00



EU RoHS

ELV and RoHS Compliant

REACH SVHC

Contains SVHC: No

Halogen-Free

Status

Not Reviewed

Need more information on product environmental compliance?

Email productcompliance@molex.com
 For a multiple part number RoHS Certificate of Compliance, [click here](#)

Please visit the [Contact Us](#) section for any non-product compliance questions.

China RoHS



Search Parts in this Series

50598Series

Mates With

50599 male crimp terminal, 50600 male crimp terminal 20-26 AWG

Use With

51138 , 51142

Application Tooling | FAQ

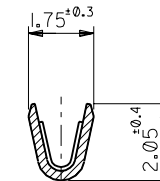
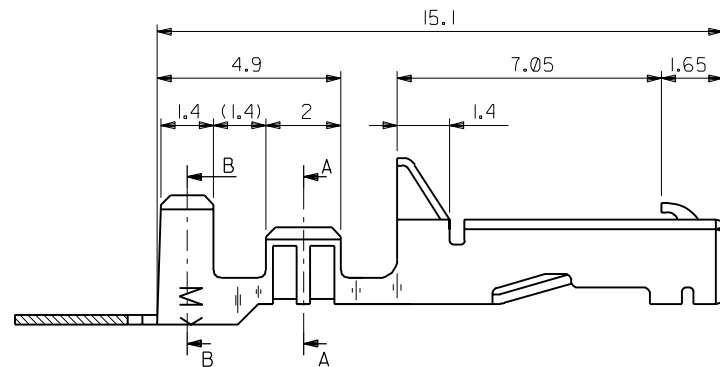
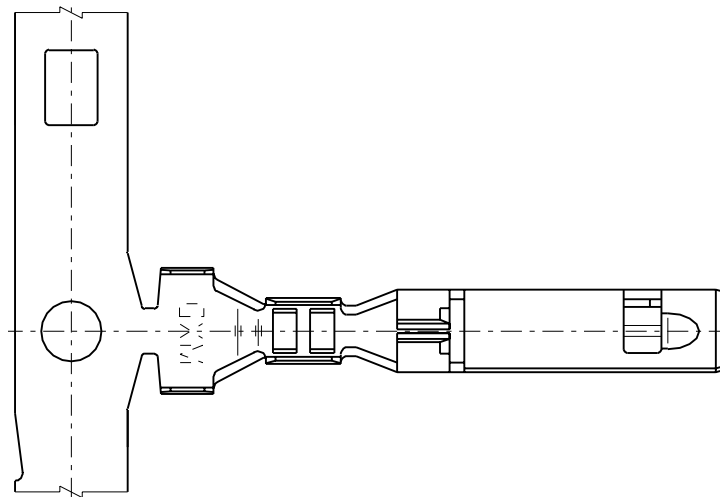
Tooling specifications and manuals are found by selecting the products below. Crimp Height Specifications are then contained in the Application Tooling Specification document.

Japan

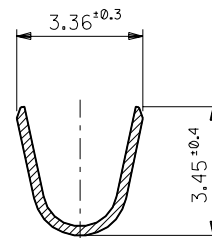
Description	Product #
Hand Crimper - UL1007	<u>0573475000</u>
Hand Crimper - UL1015	<u>0573475100</u>
Extraction Tool	<u>0573476000</u>

This document was generated on 04/15/2010

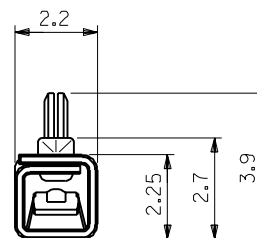
PLEASE CHECK WWW.MOLEX.COM FOR LATEST PART INFORMATION



断面 A-A
SECT. A-A



断面 B-B
SECT. B-B



50598-8100	バラ状 LOOSE
50598-8000	連鎖状 CHAIN
ENG. NO.	端子形状 FORM

注記
NOTES

- 適合ハウジング : 51138 , 51142 シリーズ
APPLICABLE HOUSING : 51138 , 51142 SERIES
- 材料 : 銅合金, 錫メッキ (t=0.25)
MATERIAL : COPPER ALLOY , TIN PLATED (t=0.25)

角度 ANGLE	±3°
30 以上 OVER	+0.3
10 以上 30 未満 UNDER	+0.25
10 未満 UNDER	+0.2
一般公差 GENERAL TOLERANCES	

記号 LTR	変更内容 REVISION RECORD	DR. CHK.	日付 DATE
0	新規作成 (JC60392) PROPOSED	H.H.	'95/12/15

材料 MATERIAL	注記参照 SEE NOTES
仕上げ FINISH	注記参照 SEE NOTES
適用電線範囲 WIRE RANGE	AWG #20-26
被覆外径 INS. RANGE	∅1.2-2.35
DRAWN BY '95/12/15	CHK'D BY '95/12/15
H.HASEGAWA	Y.M.HIRAMOTO
APP'D BY '95/12/15	尺度 SCALE 8 : 1
M.FUKUSHIMA	

molex MOLEX-JAPAN CO.,LTD. 日本モレックス株式会社	
REVISE ONLY ON CAD SYSTEM	
TITLE 名称 3.96 W/W & W/B CONN. CRIMP TERMINAL	
DWG. NO.	REV
SD-50598-8*00	0