

PLEASE CHECK WWW.MOLEX.COM FOR LATEST PART INFORMATION

Part Number: [0743232061](#)
Status: **Active**
Description: MicroCross™ DVI Analog, Single Link, High Volume Plug Connector Sub- assembly, ESD Type, Vertical, Gold (Au) Flash, 17 Circuits, Lead Free

Documents:

[Drawing \(PDF\)](#) [RoHS Certificate of Compliance \(PDF\)](#)

Agency Certification

CSA LR19980
 UL E29179

General

Product Family I/O Connectors
 Series [74323](#)
 Application Wire-to-Board
 Comments DDWG (Digital Display Working Group) Standard
 Component Type I/O Plug Connector Subassembly
 Product Name MicroCross™DVI
 Type N/A

Physical

Boot Color N/A
 Circuits (Loaded) 17
 Circuits (maximum) 29
 Circuits Detail Circuits 1-2,6-8,14-16,17-18,23-24; C1-C5 are loaded
 Color - Resin Black
 Durability (mating cycles max) 100
 Flammability 94V-0
 Keying to Mating Part Yes
 Lock to Mating Part Yes
 Material - Metal Copper Alloy
 Material - Plating Mating Gold
 Material - Plating Termination Tin
 Material - Resin High Temperature Thermoplastic
 Number of Rows 3
 Orientation Vertical
 PCB Retention None
 Packaging Type Tray
 Panel Mount N/A
 Pitch - Mating Interface (in) 0.075 In, 0.100 In
 Pitch - Mating Interface (mm) 1.90 mm, 2.54 mm
 Pitch - Term. Interface (in) 0.075 In, 0.100 In
 Pitch - Term. Interface (mm) 1.90 mm, 2.54 mm
 Plating min: Mating (µin) 10
 Plating min: Mating (µm) 0.25
 Plating min: Termination (µin) 150
 Plating min: Termination (µm) 3.80
 Polarized to Mating Part Yes
 Polarized to PCB Yes
 Ports 1
 Temperature Range - Operating -20°C to +85°C
 Termination Interface: Style Solder or Weld
 Waterproof / Dustproof No
 Wire Size AWG N/A

EU RoHS

**ELV and RoHS
 Compliant
 REACH SVHC
 Not Reviewed
 Halogen-Free
 Status
 Not Reviewed**

China RoHS



Need more information on product environmental compliance?

Email productcompliance@molex.com
 For a multiple part number RoHS Certificate of Compliance, [click here](#)

Please visit the [Contact Us](#) section for any non-product compliance questions.

Search Parts in this Series

[74323Series](#)

Mates With

Other receptacle components, [74320 DVI Receptacle](#), [67351 DVI Receptacle](#)

Application Tooling | FAQ

Tooling specifications and manuals are found by selecting the products below. Crimp Height Specifications are then contained in the Application Tooling Specification document.

Global

Description	Product #
MicroCross™	0621003700
Soldering Fixture	

Electrical

Current - Maximum per Contact	3A
Grounding to Panel	Yes
Shield Type	Full Shield
Shielded	Yes
Voltage - Maximum	40V AC (RMS)

Material Info**Reference - Drawing Numbers**

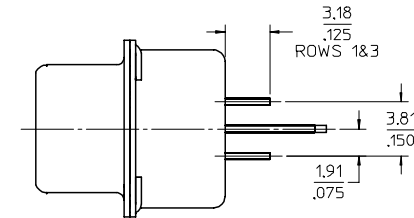
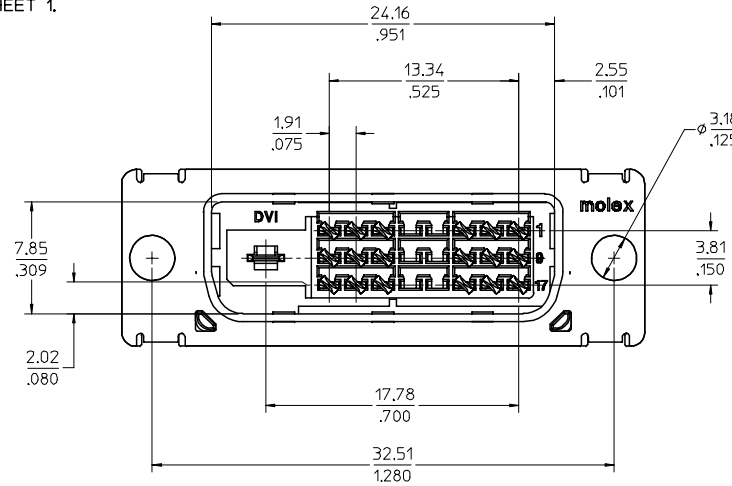
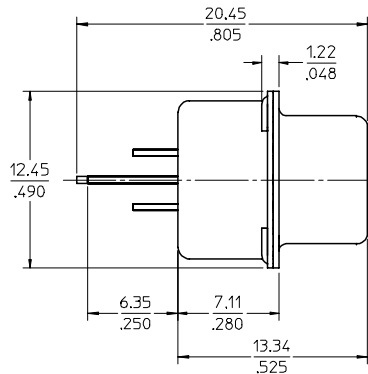
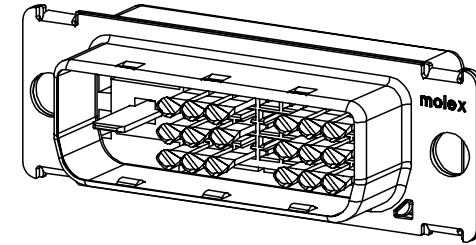
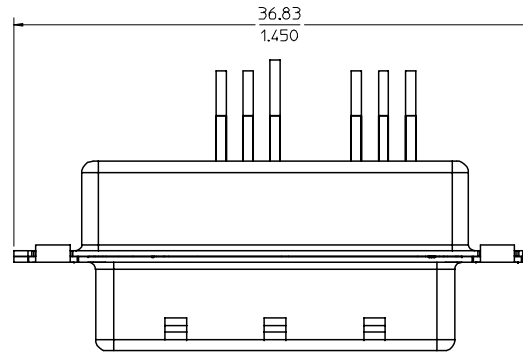
Sales Drawing	SD-74323-006
---------------	--------------

This document was generated on 04/05/2010

PLEASE CHECK WWW.MOLEX.COM FOR LATEST PART INFORMATION

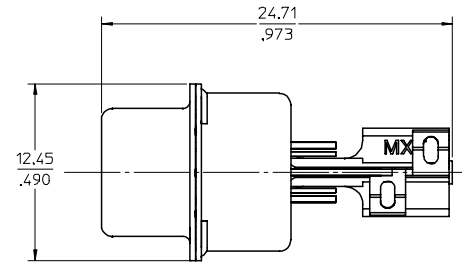
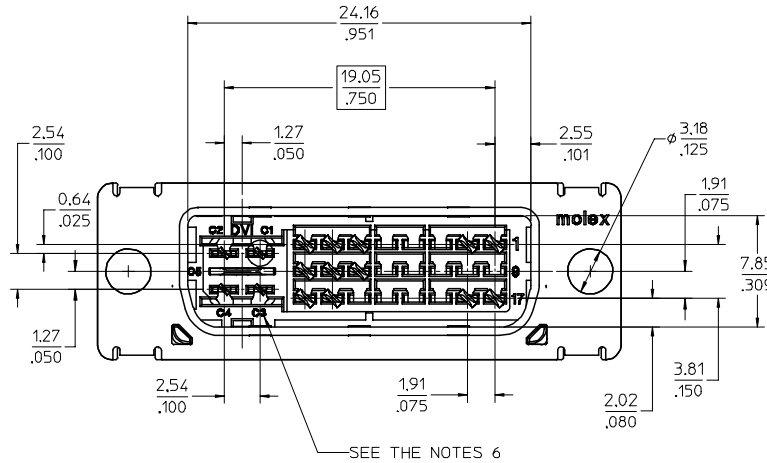
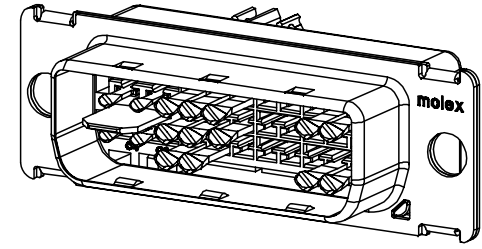
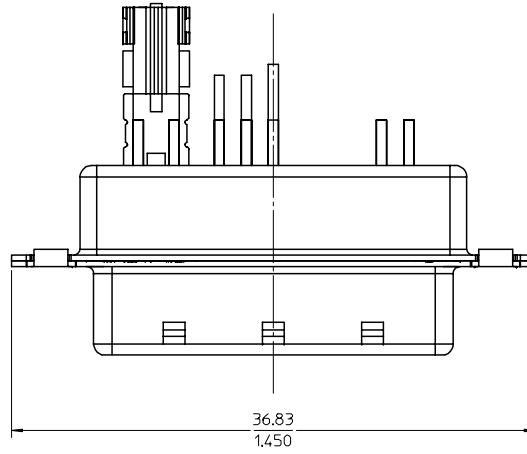
NOTES:

1. MATERIALS: HOUSING: HIGH TEMPERATURE PLASTIC
UL 94V-0, COLOR: BLACK
TERMINAL: COPPER ALLOY
SHIELD: STEEL ALLOY
2. FINISH: TERMINAL: SEE THE CHART FOR GOLD PLATING OVER 1.27 MICROMETER (50 μ') NICKEL IN CONTACT AREA AND 3.81 MICROMETER (150 μ') PURE TIN OVER 1.27 MICROMETER (50 μ') NICKEL AT SOLDERING AREA.
SHIELD: 3.81 MICROMETER (150 μ') BRIGHT TIN OVER 1.27 MICROMETER (50 μ') NICKEL OVERALL.
3. PRODUCT SPECIFICATION: PS-74320-001 .
4. PACKAGING: PARTS ARE TO BE PACKAGED 40 PCS PER TRAY.
5. THE LOADED CIRCUITS SEE THE CHART.
6. THE TEXTS ARE SHOWN FOR REFERENCE ONLY.
7. THE DIMENSION SHOWN ON SHEET 1 REFLECT THE DVI-D SINGLE AND DUAL LINK SUB-ASSEMBLY.
THE DIMENSION SHOWN ON SHEET 2 REFLECT THE DVI-A AND DVI-I SUB-ASSEMBLY, FOR ALL OTHER DIMENSIONS REFER TO SHEET 1.



LEAD-FREE EC NO: SH2005-0067 DRWN: DXUE 2004/09/02 CHK: YTYA004/09/03 APPR: JZHOU	QUALITY SYMBOLS ▽ - 0 ◻ - 0	DESCRIPTION DRAFT WHERE APPLICABLE MUST REMAIN WITHIN DIMENSIONS	GENERAL TOLERANCES (UNLESS SPECIFIED)		SCALE 4:1	DESIGN UNITS INCH	THIRD ANGLE PROJECTION	REVISE ON CAD ONLY			
			mm	INCH	DIMENSION STYLE IN/MM		DRAWN BY DATE GRACE 00/08/09		DVI HIGH VOLUME PLUG CONNECTOR SUB-ASSEMBLY FOR ESD TYPE		
			4 PLACES ± --- ± ---	3 PLACES ± --- ± .010	CHECKED BY DATE JASON 00/08/21						
			2 PLACES ± 0.25 ± ---	1 PLACE ± --- ± ---	APPROVED BY DATE MEGA		MATERIAL NO. SEE CHART	DOCUMENT NO. SD-74323-006	SHEET NO. 1 OF 2		

PART NUMBER	DESCRIPTION	LOADED CIRCUITS REF.
74323-2051	DVI-D Au FLASH SINGLE LINK	1-3,6-8,9-11,14-16,17-19,22-24, WITH KEY
74323-2052	DVI-D 30 u' Au SINGLE LINK	
74323-2053	DVI-D Au FLASH DUAL LINK	1-24, WITH KEY
74323-2054	DVI-D 30 u' Au DUAL LINK	
74323-2061	DVI-A Au FLASH	1-2,6-8,14-16,17-18,23-24, C1,C2,C3,C4,C5
74323-2062	DVI-A 30 u' Au	
74323-2071	DVI-I Au FLASH SINGLE LINK	1-3,6-8,9-11,14-16,17-19,22-24, C1,C2,C3,C4,C5
74323-2072	DVI-I 30 u' Au SINGLE LINK	
74323-2073	DVI-I Au FLASH DUAL LINK	1-24, C1,C2,C3,C4,C5
74323-2074	DVI-I 30 u' Au DUAL LINK	



SEE THE NOTES 6

LEAD-FREE EC NO.: SH2005-0067 DRWN: DXUE 2004/09/02 CHK: YTYA004/09/03 APPR: JZHOU	DESCRIPTION	QUALITY SYMBOLS	GENERAL TOLERANCES (UNLESS SPECIFIED)	SCALE 4:1	DESIGN UNITS INCH	THIRD ANGLE PROJECTION	REVISE ON CAD ONLY	
		▽ 0 ◻ 0	mm	INCH	DIMENSION STYLE IN/MM		DVI HIGH VOLUME PLUG CONNECTOR SUB-ASSEMBLY FOR ESD TYPE MOLEX INCORPORATED	
			4 PLACES ± --- ± ---	3 PLACES ± --- ± .010	DRAWN BY GRACE	DATE 00/08/09		
			2 PLACES ± 0.25 ± ---	1 PLACE ± --- ± ---	CHECKED BY JASON	DATE 00/08/21		
		ANGULAR ± 1 °	DRAFT WHERE APPLICABLE MUST REMAIN WITHIN DIMENSIONS	APPROVED BY MEGA	DATE 00/08/21	MATERIAL NO. SEE CHART	DOCUMENT NO. SD-74323-006	
							SHEET NO. 2 OF 2	