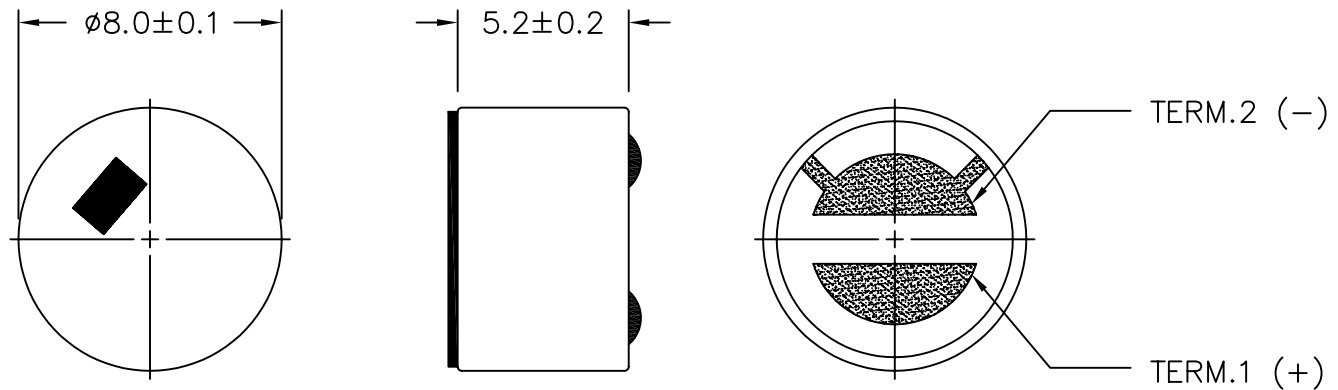


THIS DOCUMENT CONTAINS DATA PROPRIETARY TO PROJECTS UNLIMITED, INC. ANY USE OR REPRODUCTION, IN ANY FORM, WITHOUT PRIOR WRITTEN PERMISSION OF PROJECTS UNLIMITED, INC. IS PROHIBITED.
© 2005, Projects Unlimited Inc.

SPECIFICATIONS

| PARAMETERS | VALUES | UNITS |
|------------------------------|-------------|-------|
| DIRECTIVITY | OMNI | — |
| SENSITIVITY | -46±3 | dB |
| STANDARD OPERATING VOLTAGE | 1.5 | Vdc |
| MAX OPERATING VOLTAGE | 10 | Vdc |
| CURRENT CONSUMPTION (MAX) | 0.5 | mA |
| IMPEDANCE | 2.2 | kOhm |
| SIGNAL TO NOISE RATIO (MIN.) | 60 | dB |
| TERMINAL | SOLDER PADS | — |
| INTERNAL CAPACITOR | N/A | pF |

| REVISIONS | | | |
|-----------|----------------------------------|---------|----------|
| LTR | DESCRIPTION | DATE | APPROVED |
| — | RELEASED FROM ENGINEERING | 1/30/06 | |
| A | ADDED TERM. POLARITY & RoHS NOTE | 2/1/07 | D.F. |



NOTES:

1. ALL DIMENSIONS ARE IN MILLIMETERS.
2. SPECIFICATION SUBJECT TO CHANGE OR WITHDRAWAL WITHOUT NOTICE.
3. THIS PART IS RoHS 2002/95/EC COMPLIANT.

FILE NAME
DOM-5246L-R.DWG

UNLESS OTHERWISE SPECIFIED:
DIMENSIONS ARE IN MILLIMETERS, TOLERANCES ARE ± 0.5 AND ANGLES ARE $\pm 3^\circ$.



projects®
unlimited

Dayton, Ohio

MICROPHONE

| APPROVALS | DATE |
|----------------------|-------|
| DRAWN <i>J.A.F.</i> | 01/06 |
| CHECKED <i>E.P.</i> | 01/06 |
| APPROVED <i>B.R.</i> | 01/06 |

SIZE
A

DRAWING NO.
DOM-5246L-R

DO NOT SCALE DRAWING

SCALE: N.T.S.

SHEET 1 OF 1