

Dialight

Tactical Composite Front Park Turn Light



FEATURES / BENEFITS

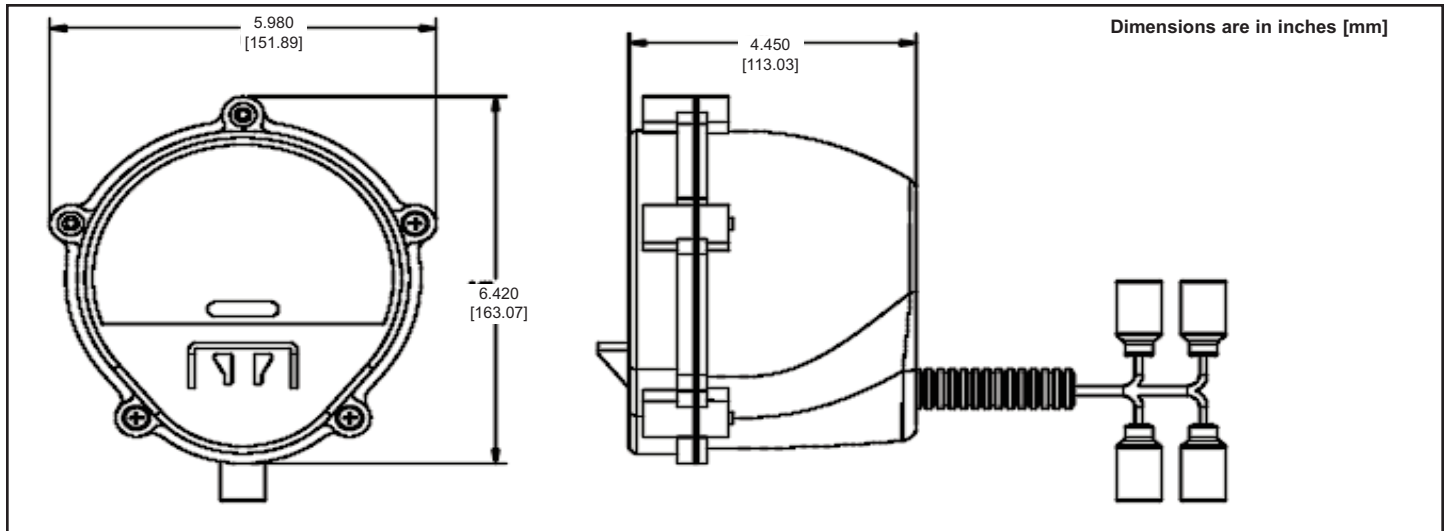
- ▲ Specifically designed for military applications
- ▲ Voltage range 10-30 volts
- ▲ Conform to FMVSS 108 and MIL-STD-1179
- ▲ Lamp housing comes in standard olive drab with hard-wired military connectors
- ▲ LEDs provide nearly instant on, faster illumination than incandescent
- ▲ Low power consumption
- ▲ High vibration resistance
- ▲ Easy retrofit of existing incandescent
- ▲ Robust, impact-resistant design

APPLICATION

Dialight has developed Tactical Composite Front Park Turn Lights as an easy incandescent retrofit upgrade for new and existing military vehicles. These lamps were designed to conform to all of the FMVSS 108 and military specifications.

Dialight's unique hermetically sealed lamps are perfect for extreme environmental conditions. In addition, their vibration resistance makes these devices ideal for use on military vehicles.

SPECIFICATIONS



Part Number	Description
TFP-AA-13T-13	Tactical Front, Thin Lamp with Housing for Retrofit
TFP-AA-10T-13	Tactical Front, Thin Lamp

Dialight Corporation

1501 Route 34 South • Farmingdale, NJ 07727 USA

Tel: (1) 732-919-3119 • Fax: (1) 732-751-5778 • www.dialight.com



MDTBTCPLX001_B