

**PLEASE CHECK WWW.MOLEX.COM FOR LATEST PART INFORMATION**

**Part Number:** [0887538602](#)  
**Status:** **Active**  
**Overview:** [usb](#)  
**Description:** USB On-The-Go (OTG) Shielded I/O Cable Assembly, Mini A-to-Mini B, USB 2.0, 2.0m (6.56' ) Length, Black

**Documents:**

[Drawing \(PDF\)](#) [RoHS Certificate of Compliance \(PDF\)](#)

**General**

Product Family	Cable Assemblies
Series	<a href="#">88740</a>
Connector to Connector	USB Mini-A-to-Mini-B
Overview	<a href="#">usb</a>
Product Name	USB

**Physical**

Cable Length	2.0m (6.56' )
Circuits (Loaded)	5
Color - Resin	Black
Gender	Male-Male
Lock to Mating Part	Yes
Material - Plating Mating	Gold
Material - Plating Termination	Tin
Material - Resin	Polyester
Packaging Type	Bag
Pitch - Mating Interface (in)	0.031 In
Pitch - Mating Interface (mm)	0.80 mm
Plating min: Mating (µin)	30
Plating min: Mating (µm)	0.75
Plating min: Termination (µin)	160
Plating min: Termination (µm)	4
Single Ended	No
Termination Interface: Style	Through Hole
Wire Insulation Diameter	N/A
Wire Size AWG	28
Wire/Cable Type	Round

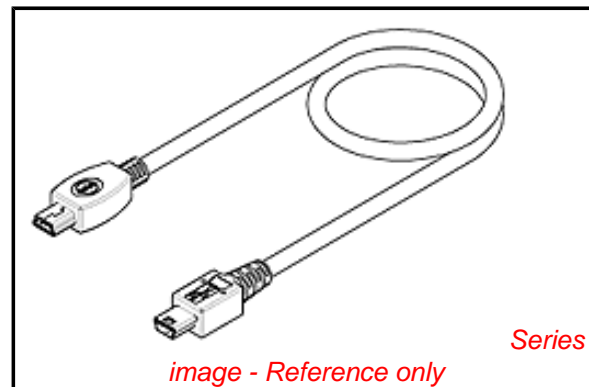
**Electrical**

Current - Maximum per Contact	1A
Shielded	Yes
Voltage - Maximum	30V

**Material Info**

**Reference - Drawing Numbers**

Sales Drawing	SD-887538200
---------------	--------------



**EU RoHS**

**Not RoHS Compliant**  
**REACH SVHC**  
**Not Reviewed**  
**Halogen-Free**  
**Status**  
**Not Reviewed**

**China RoHS**



**Need more information on product environmental compliance?**

Email [productcompliance@molex.com](mailto:productcompliance@molex.com)  
 For a multiple part number RoHS Certificate of Compliance, [click here](#)

Please visit the [Contact Us](#) section for any non-product compliance questions.

**Search Parts in this Series**

[88740Series](#)

**Mates With**

USB On-The-Go (OTG) Mini-B Receptacle  
[54819](#) , [51387](#) , [48242](#)Link:[500075](#). [56579](#)  
 USB On-The-Go (OTG) Mini-AB Receptacle

6

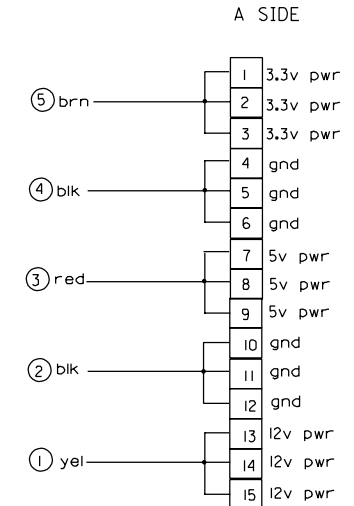
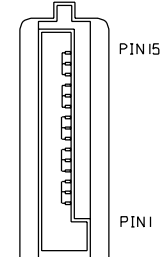
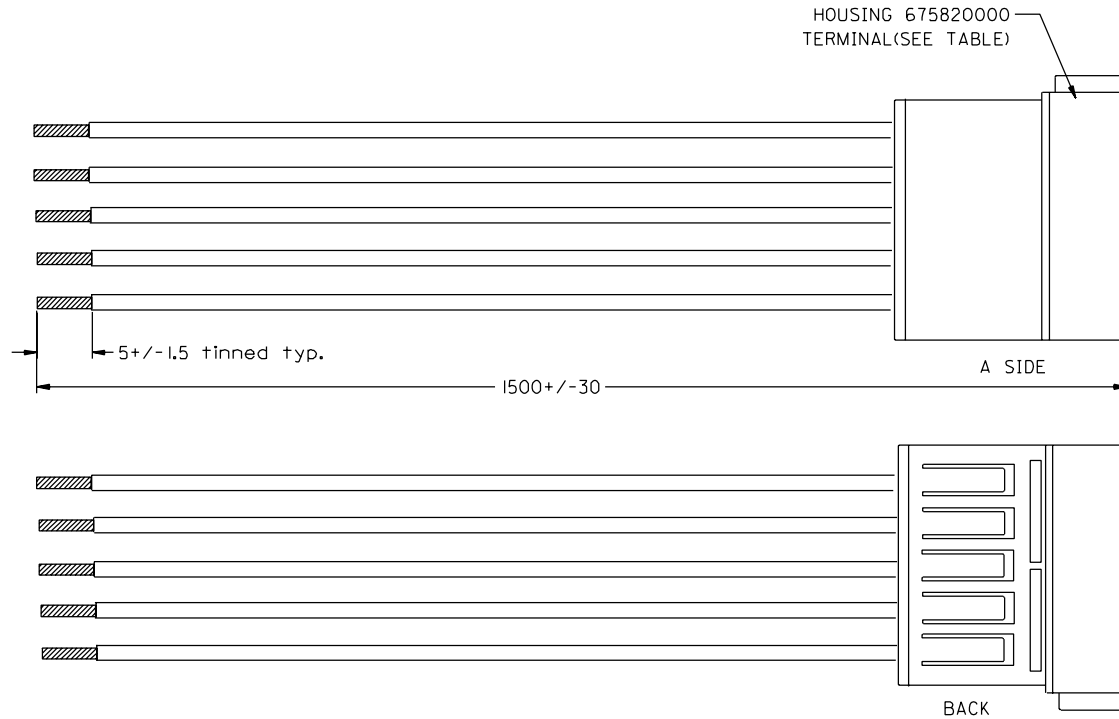
5

4

3

2

1



887577811	675810001 30u'
887577810	675810000 GOLD FLASH
MATERIAL NO.	TERMINAL

5	UL 1007 #18 BRN 887711305
4	UL 1007 #18 BLK 887711300
3	UL 1007 #18 RED 887711301
2	UL 1007 #18 BLK 887711300
1	UL 1007 #18 YEL 887711303
Item	WIRE TYPE

NOTE: 1. ELECTRIC PERFORMANCE:  
 ▽ DIELECTRIC STRENGTH: 500 V DC/0.01Sec.  
 INSULATION RESISTANCE: 100M OHMS Min.  
 CONDUCTIVE RESISTANCE: 2 OHMS Max.

2. HOUSING 675820000:  
 POLYESTER(PBT), UL94V-0(BLACK)

EC NO. A1	DRWN: BENTZ 02/08/08	CHK: APPR:	DESCRIPTION REV
--------------	----------------------	---------------	--------------------

QUALITY SYMBOLS MAJOR ▼ = CRITICAL ▽ = I	GENERAL TOLERANCES: (UNLESS SPECIFIED)	
	mm	INCH
	4 PLACES ±0.	±.
	3 PLACES ±0.	±.
	2 PLACES ±0.	±.
1 PLACE ±0.	±.	
ANGULAR: ±		°

SCALE	DESIGN UNITS <input type="checkbox"/> mm <input type="checkbox"/> INCH
DRAWN BY & DATE BENTZ 02/08/08	
CHECKED BY & DATE Tony Wong 02/08/08	
APPROVED BY & DATE Tony Wong 02/08/08	
CAD FILENAME S88755AE.S01	

THIRD ANGLE PROJECTION	DIMENSIONS: <input type="checkbox"/> mm <input type="checkbox"/> INCH <input type="checkbox"/> mm <input type="checkbox"/> ONLY	SHT	REV
TITLE: S-ATA POWER CABLE ASSEMBLY			
<b>MOLEX INCORPORATED</b>			
MATERIAL NO. SEE TABLE	DRAWING NO. SD-88755-005	SHEET NO. 1 OF 1	
THIS DRAWING CONTAINS INFORMATION THAT IS PROPRIETARY TO MOLEX INCORPORATED AND SHOULD NOT BE USED WITHOUT WRITTEN PERMISSION.			SIZE A4

6

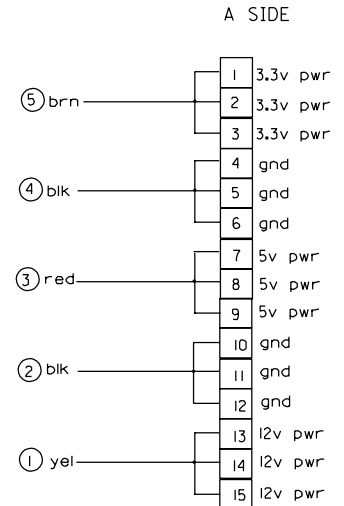
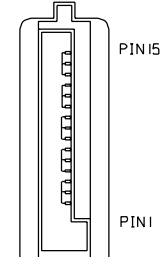
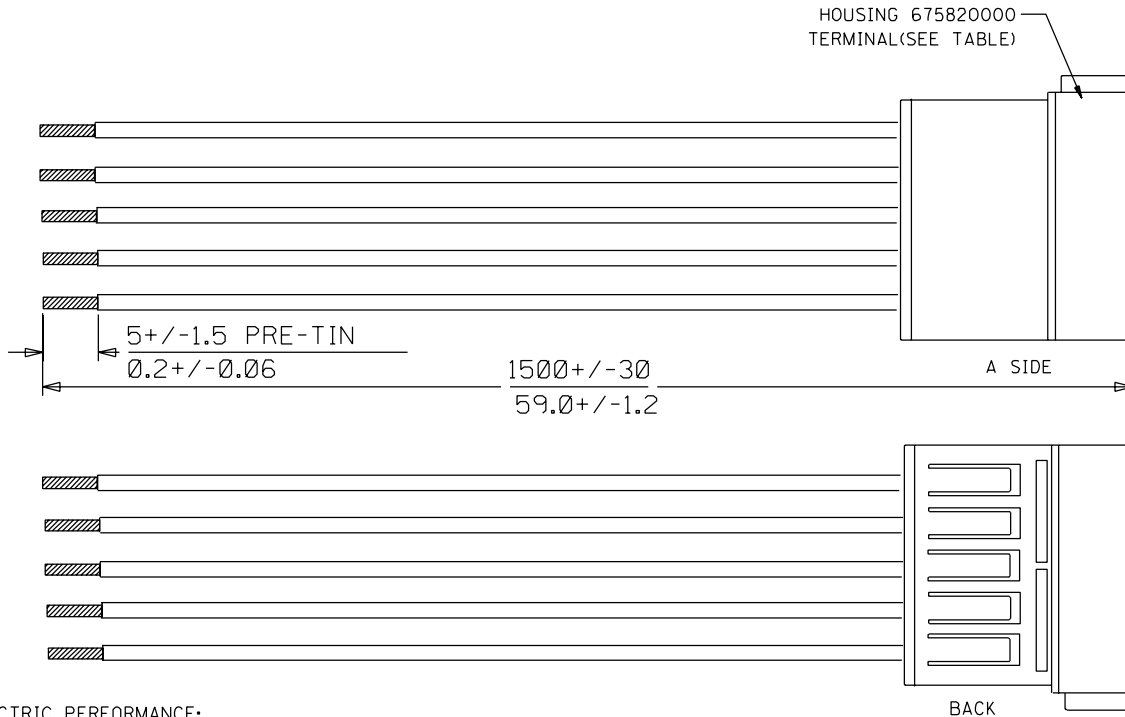
5

4

3

2

1



NOTE: 1. ELECTRIC PERFORMANCE:  
 DIELECTRONIC STRENGTH: 500 V DC/0.01Sec.  
 INSULATION RESISTANCE: 100M OHMS Min.  
 CONDUCTIVE RESISTANCE: 2 OHMS Max.  
 2. HOUSING 675820000:  
 POLYESTER(PBT), UL94V-0(BLACK)

887577811	675810001 30u" Gold-plated
887577810	675810000 GOLD FLASH
MATERIAL NO.	TERMINAL

TABLE

5	UL1007 #18 BRN 887711305
4	UL1007 #18 BLK 887711300
3	UL1007 #18 RED 887711301
2	UL1007 #18 BLK 887711300
1	UL1007 #18 YEL 887711303
Item	WIRE TYPE

CONNECTION DIAGRAM			
DIMENSIONS:	<input type="checkbox"/> mm	<input type="checkbox"/> INCH	<input checked="" type="checkbox"/> mm
	<input type="checkbox"/> INCH	<input type="checkbox"/> mm	<input checked="" type="checkbox"/> ONLY
SHT	REV	REVISE ON CAD ONLY	

EC NO. DRWN: Louis 04/03/23 CHK: APPR:	EC NO. DRWN: BENTZ 02/08/08 CHK: APPR:	DESCRIPTION REV	QUALITY SYMBOLS MAJOR ▼ = 0 CRITICAL ▽ = 0	GENERAL TOLERANCES: (UNLESS SPECIFIED)		SCALE	DESIGN UNITS <input checked="" type="checkbox"/> mm <input type="checkbox"/> INCH	THIRD ANGLE <input checked="" type="checkbox"/> PROJECTION	DIMENSIONS:		SHT	REV
				mm	INCH	DRAWN BY & DATE BENTZ 02/08/08	TITLE: S-ATA POWER TO PIGTAIL CABLE ASSEMBLY 1.5M (3.3V+5V+12V)					
				4 PLACES ±0.	±.	CHECKED BY & DATE Tony Wong 02/08/08		MOLEX INCORPORATED				
				3 PLACES ±0.	±.	APPROVED BY & DATE Tony Wong 02/08/08		MATERIAL NO. SEE TABLE		DRAWING NO. SD-88755-005		SHEET NO. 1 OF 1
				2 PLACES ±0.	±.	CAD FILENAME S88755AE.S01						SIZE A4
				1 PLACE ±0.	±.	THIS DRAWING CONTAINS INFORMATION THAT IS PROPRIETARY TO MOLEX INCORPORATED AND SHOULD NOT BE USED WITHOUT WRITTEN PERMISSION.						
				ANGULAR: ±	°							