

**PLEASE CHECK WWW.MOLEX.COM FOR LATEST PART INFORMATION**

**Part Number:** [0687690023](#)  
**Status:** **Active**  
**Overview:** [ieee 1394](#)  
**Description:** IEEE 1394B Bilingual 9-pin-to-4-pin Cable Assembly, 4.50m (14.76' ) Length

**Documents:**

[Drawing \(PDF\)](#) [RoHS Certificate of Compliance \(PDF\)](#)  
[Product Specification PS-68769-001 \(PDF\)](#)

**General**

Product Family	Cable Assemblies
Series	<a href="#">68769</a>
Connector to Connector	IEEE1394b-2002 Both Ends
Overview	<a href="#">ieee 1394</a>
Product Name	IEEE 1394

**Physical**

Cable Length	4.50m (14.76' )
Circuits (Loaded)	4, 9
Color - Resin	Natural
Gender	Male-Male
Lock to Mating Part	Yes
Material - Resin	Low Density Polyethylene
Packaging Type	Bag
Single Ended	No
Wire Insulation Diameter	N/A
Wire Size AWG	N/A
Wire/Cable Type	Round

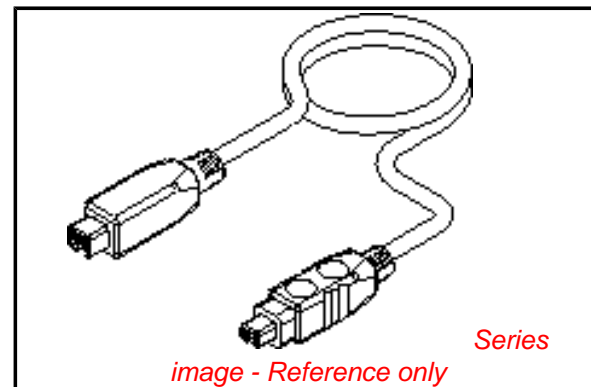
**Electrical**

Current - Maximum per Contact	1.5A
Impedance	110 ohms
Shielded	Yes
Voltage - Maximum	30V

**Material Info**

**Reference - Drawing Numbers**

Product Specification	PS-68769-001
Sales Drawing	SD-68769-021



**EU RoHS**

**ELV and RoHS  
Compliant**  
**REACH SVHC  
Not Reviewed**  
**Halogen-Free  
Status**

**China RoHS**



**Need more information on product  
environmental compliance?**

Email [productcompliance@molex.com](mailto:productcompliance@molex.com)  
For a multiple part number RoHS Certificate of  
Compliance, [click here](#)

Please visit the [Contact Us](#) section for any  
non-product compliance questions.

**Search Parts in this Series**

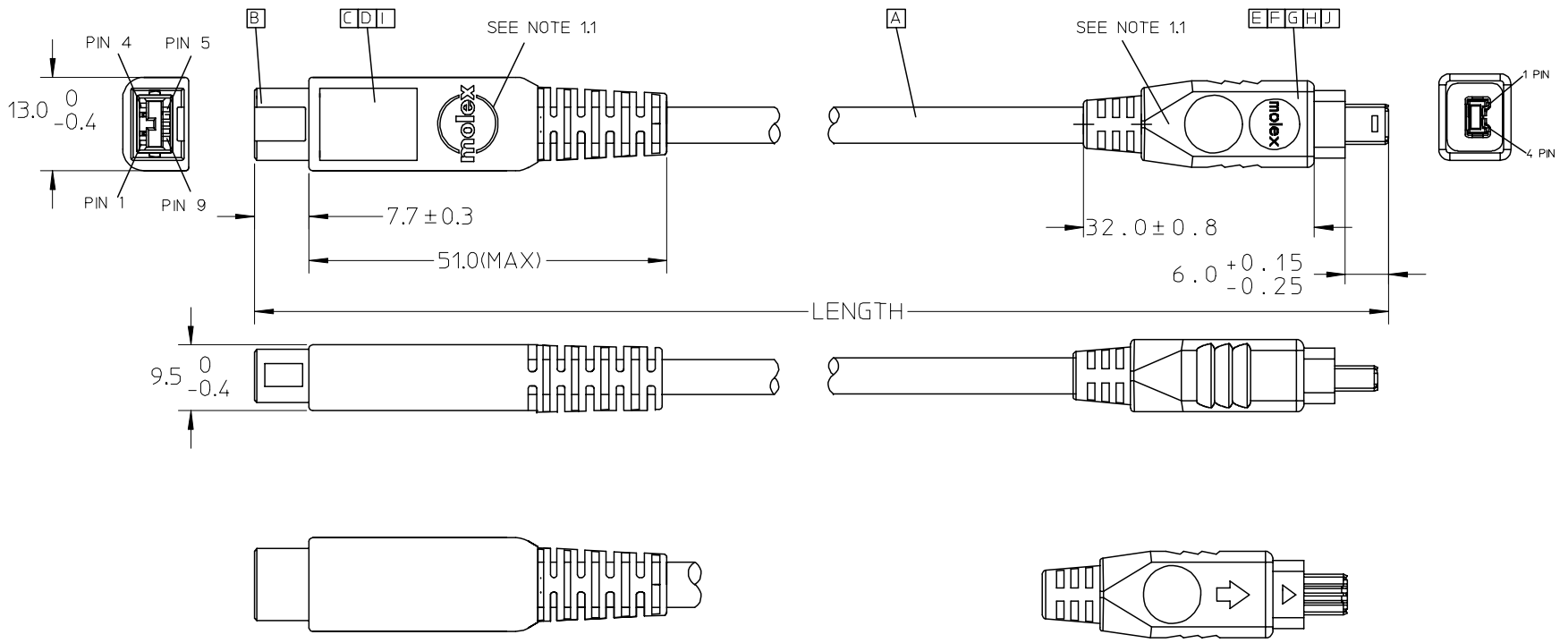
[68769Series](#)

**Mates With**

[44647](#) IEEE 1394b-2002 Shielded I/O  
PCB Bilingual Socket. [54515](#) IEEE P1394a  
Shielded I/O PCB Socket

7 6 5 4 3 2 1

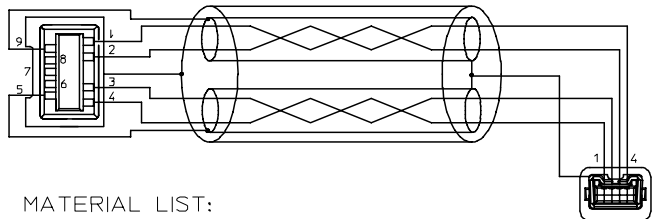
E  
D  
C  
B  
A



ENTER DESCRIPTION EC NO: DG2006-0086 DRWN: JFZHENG CHKD: APPR: DQLUO	2005/10/15 2005/10/17 2006/08/25	DESCRIPTION 1	QUALITY SYMBOLS ▽=0 ◻=0	GENERAL TOLERANCES (UNLESS SPECIFIED)		DIMENSION STYLE MM ONLY		SCALE ---	DESIGN UNITS METRIC	THIRD ANGLE PROJECTION			
					mm	INCH	DRAWN BY JFZHENG	DATE 2005/10/13	TITLE IEEE1394 9P TO 4P CABLE ASS'Y				
				4 PLACES	±---	±---	CHECKED BY JFZHENG	DATE 2005/10/13					
				3 PLACES	±---	±---	APPROVED BY DQLUO	DATE 2005/10/13	MOLEX INCORPORATED MATERIAL NO. 6876900-21~23 DOCUMENT NO. SD-68769-021 SHEET NO. 1 OF 2				
				2 PLACES	±---	±---	DRAFT WHERE APPLICABLE MUST REMAIN WITHIN DIMENSIONS						
1 PLACE	±---	±---	ANGULAR ±---°		SIZE A 4		THIS DRAWING CONTAINS INFORMATION THAT IS PROPRIETARY TO MOLEX INCORPORATED AND SHOULD NOT BE USED WITHOUT WRITTEN PERMISSION						

6 5 4 3 2 1

WIRING DIAGRAM:



MATERIAL LIST:

ITEM	DESCRIPTION	L	QTY.
I	1394B SOLDER I/O CONN. 172000528		1
J	MOLD COVER 887899625		1
H	MOLD CASE 887899692		1
G	SHIELD CASE 887899624		1
F	SHIELD CASE CAP 887899623		1
E	PLUG 887899622		1
D	1394B REAR SHELL,172000530		1
C	1394B FRONT SHELL,172000529		1
B	1394 9PIN BILINGUAL PLUG 172000533		1
A	2P*32AWG+F,SHLD,PVC,GY,4.2MM;1394 4P; 887808446		1

PIN OUT TABLE

Plug1: IEEE1394-1995 4-circuit plug contact number	Signal name at plug 2 end: IEEE Std 1394-1995 cable reference	Plug2: Bilingual plug contact number
3	TPB*(Twisted pair B Minus) (RED)	1
4	TPB(Twisted pair B Plus) (GREEN)	2
1	TPA*(Twisted Pair A minus) (BLUE)	3
2	TPA(Twisted pair A Plus) (Orange)	4
plug shield	TPA(R) Twisted Pair A Ground Reference)	5
no connection	VG(Power Ground)	6
no connection	NO connection	7(no connection)
no connection	Vp(Power Voltage)	8
plug shield	TPB(R)(Twisted Pair B Ground Reference)	9
no connection	Cable Shield Ground	Plug shield

NOTE:

- 1. 9PIN OVEROLD WITH GREY PVC 887800152.
- 4PIN OVERMOLD WITH GREY PVC 887800153

TABLE A

MX P/N	DESCRIPTION	LENGTH
68769-0023	1394B BILINGUAL 9P TO 4P 4.5M GREY	4500±40
68769-0022	1394B BILINGUAL 9P TO 4P 2.0M GREY	2000±25
68769-0021	1394B BILINGUAL 9P TO 4P 1.0M GREY	1000±25

ENTER DESCRIPTION EC NO: DG2006-0086 DRWN: JFZHENG 2005/10/15 CHKD: 2005/10/17 APPR: DQLUO 2006/08/25	DESCRIPTION 1	QUALITY SYMBOLS ▽=0 ▽=0	GENERAL TOLERANCES (UNLESS SPECIFIED)		DIMENSION STYLE MM ONLY		SCALE ---	DESIGN UNITS METRIC	THIRD ANGLE PROJECTION	
					DRAWN BY JFZHENG	DATE 2005/10/13	TITLE IEEE1394 9P TO 4P CABLE ASS'Y			
					CHECKED BY JFZHENG	DATE 2005/10/13				
					APPROVED BY DQLUO	DATE 2005/10/13	MOLEX INCORPORATED			
		DRAFT WHERE APPLICABLE MUST REMAIN WITHIN DIMENSIONS	MATERIAL NO. 6876900-21~23	DOCUMENT NO. SD-68769-021	SHEET NO. 2 OF 2					
			SIZE A4	THIS DRAWING CONTAINS INFORMATION THAT IS PROPRIETARY TO MOLEX INCORPORATED AND SHOULD NOT BE USED WITHOUT WRITTEN PERMISSION						