

230-001 Hermetic Receptacle, Jam Nut Mount MIL-DTL-38999 Series I

HOW TO ORDER:

EXAMPLE: 230-001 P 9 - 35 P N

BASIC NO _____

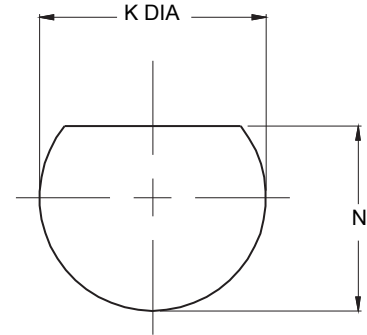
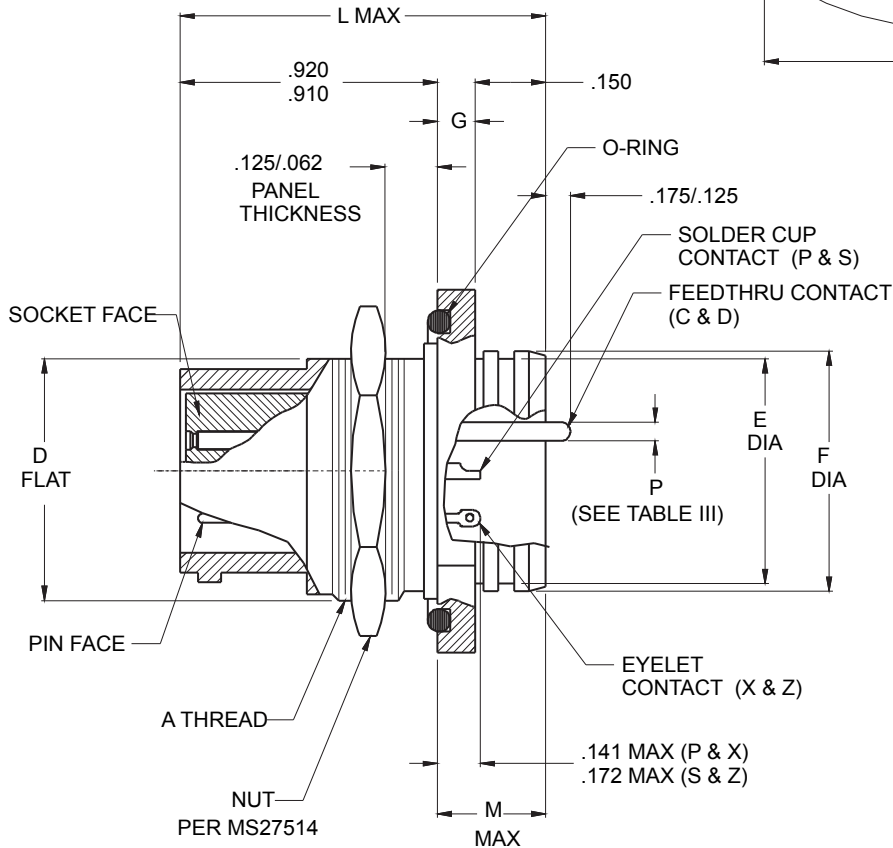
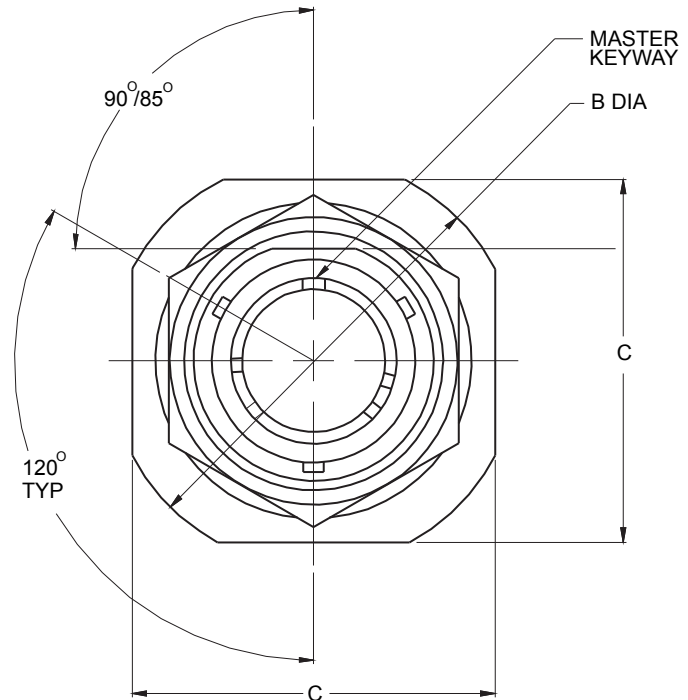
MAT'L & FINISH
 FT = CARBON STEEL, FUSED TIN
 Z1 = CRES, PASSIVATED
 P = CRES, NICKEL FINISH

SHELL SIZE, TABLE I _____

INSERT ARRANGEMENT, \triangle
 TABLE II _____

CONTACT TERMINATION STYLE:
 P = PIN, SOLDER CUP S = SOCKET, SOLDER CUP
 X = PIN, EYELET Z = SOCKET, EYELET
 C = PIN, FEEDTHRU D = SOCKET, FEEDTHRU

POLARIZATION
 A, B, C, D, E (N = NORMAL)



RECOMMENDED PANEL
CUT-OUT

CONTACT SIZE	ϕ P
22D	.011 (0.3) .015 (0.4)
20	.024 (0.6) .028 (0.7)
16	.0635 (1.6) .0615 (1.6)
12	.095 (2.4) .093 (2.4)

230-001
Hermetic Receptacle, Jam Nut Mount
MIL-DTL-38999 Series I



MIL-DTL-38999

TABLE II: LAYOUTS

PATTERN	22D	20	16	12
9-98		3		
9-35	6			
11-4		4		
11-5		5		
11-98		6		
11-99		7		
11-35	13			
11-2			2	
13-4			4	
13-8		8		
13-98		10		
13-35	22			
15-5			5	
15-15		14	1	
15-18		18		
15-19		19		
15-97		8	4	
15-35	37			
17-6				6
17-8			8	
17-26		26		
17-99		21	2	
17-35	55			
19-11			11	
19-28		26	2	
19-30		29	1	
19-32		32		
19-35	66			
19-45	67			
21-11				11
21-16			16	
21-24		24		
21-25		25		
21-27		27		
21-41		41		
21-39		37	2	
21-35	79			
23-35	100			
23-21			21	
23-32		32		
23-34		34		
23-36		36		
23-53		53		
23-97			16	
23-99			11	
23-55		55		
25-35	128			
25-29			29	
25-61		61		
25-4		48	8	
25-43		23	20	
25-19				19
25-24			12	12

TABLE I: CONNECTOR DIMENSIONS

SHELL SIZE	A THREAD CLASS 2A	B DIA ±.016 (0.4)	C A/F ±.016 (0.4)	D ±.005 (0.1)	E DIA ±.011 (0.3)	F DIA ±.005 (0.1)
9	.6875-24 UNEF	1.188 (30.2)	1.062 (27.0)	.65 (16.5)	.602 (15.3)	.648 (16.5)
11	.8125-20 UNEF	1.375 (34.9)	1.25 (31.8)	.75 (19.1)	.726 (18.4)	.772 (19.6)
13	1.000-20 UNEF	1.5 (38.1)	1.375 (34.9)	.937 (23.8)	.852 (21.6)	.898 (22.8)
15	1.125-18 UNEF	1.625 (41.3)	1.5 (38.1)	1.061 (26.9)	.978 (24.8)	1.024 (26.0)
17	1.250-18 UNEF	1.75 (44.5)	1.625 (41.3)	1.186 (30.1)	1.102 (28.0)	1.148 (29.2)
19	1.375-18 UNEF	1.938 (49.2)	1.812 (46.0)	1.311 (33.3)	1.228 (31.2)	1.274 (32.4)
21	1.500-18 UNEF	2.062 (52.4)	1.938 (49.2)	1.436 (36.5)	1.352 (34.3)	1.398 (35.5)
23	1.625-18 UNEF	2.188 (55.6)	2.062 (52.4)	1.561 (39.6)	1.478 (37.5)	1.524 (38.7)
25	1.750-18 UNS	2.312 (58.7)	2.188 (55.6)	1.686 (42.8)	1.602 (40.7)	1.648 (41.9)

TABLE I (CONTINUED): CONNECTOR DIMENSIONS

SHELL SIZE	G ±.016 (0.4)	K DIA ±.005 (0.1)	L MAX	M MAX	N ±.005 (0.1)
9	.109 (2.8)	.705 (17.9)	1.200 (30.5)	.280 (7.1)	.665 (16.9)
11	.109 (2.8)	.827 (21.0)	1.200 (30.5)	.280 (7.1)	.764 (19.4)
13	.109 (2.8)	1.012 (25.7)	1.200 (30.5)	.280 (7.1)	.95 (24.1)
15	.109 (2.8)	1.139 (28.9)	1.200 (30.5)	.280 (7.1)	1.079 (27.4)
17	.109 (2.8)	1.264 (32.1)	1.200 (30.5)	.280 (7.1)	1.203 (30.6)
19	.14 (3.6)	1.389 (35.3)	1.231 (31.3)	.311 (7.9)	1.328 (33.7)
21	.14 (3.6)	1.512 (38.4)	1.231 (31.3)	.311 (7.9)	1.454 (36.9)
23	.14 (3.6)	1.639 (41.6)	1.231 (31.3)	.311 (7.9)	1.579 (40.1)
25	.14 (3.6)	1.764 (44.8)	1.231 (31.3)	.311 (7.9)	1.704 (43.3)

NOTES:

- ASSEMBLY IDENTIFIED WITH MANUFACTURER'S NAME AND P/N, SPACE PERMITTING.
- INSERT ARRANGEMENTS IN ACCORDANCE WITH MIL-STD-1560, SEE TABLE II.
- GLENAIR 230-001 RECEPTACLE CONNECTOR IS DESIGNED TO MATE WITH ANY QPL MANUFACTURER'S MIL-C-38999 SERIES I PLUG CONNECTOR HAVING THE SAME INSERT ARRANGEMENT & POLARIZATION.
- MATERIAL/FINISH:
 SHELL, NUT - CRES/PASSIVATED, CARBON STEEL/FUSED TIN OR CRES/
 NICKEL PER QQ-N-290.
 CONTACTS - NICKEL-IRON ALLOY 52/GOLD
 INSULATOR - FUSED VITREOUS GLASS/N.A.
 SEALS - FLUOROSILICONE RUBBER/N.A.
- GLENAIR'S 230-001 SAME AS MS27470.