

### TYPE 10RYBL

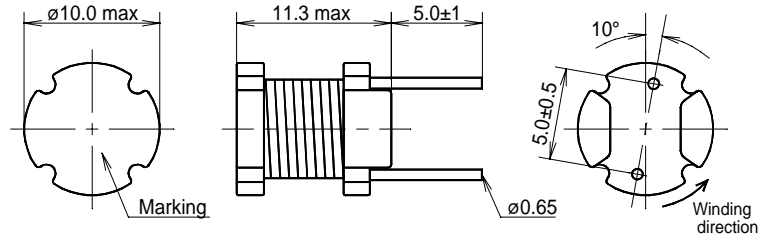
**Frequency Range:** 1~200kHz

**Inductance Range:** 10~2200μH

#### Features

- Ideal as a choke coil for noise filtering and DC/DC converter application.

Note: Taped form is type 10RYTL.



(Unit: mm)

#### Selection Guide for Standard Coils

##### TYPE 10RYBL

TOKO Part Number	Inductance L (μH)	DC Resistance (Ω) max.	Rated DC Current (A) max.	Self-resonant Frequency (MHz) min.
7023LYF-100K	10 ± 10%	0.045	3.5	35
7023LYF-120K	12 ± 10%	0.050	3.1	25
7023LYF-150K	15 ± 10%	0.053	2.9	18
7023LYF-180K	18 ± 10%	0.057	2.6	12
7023LYF-220K	22 ± 10%	0.065	2.3	8.4
7023LYF-270K	27 ± 10%	0.070	2.1	7.5
7023LYF-330K	33 ± 10%	0.078	1.9	7.2
7023LYF-390K	39 ± 10%	0.085	1.7	6.9
7023LYF-470K	47 ± 10%	0.095	1.6	5.8
7023LYF-560K	56 ± 10%	0.11	1.4	5.0
7023LYF-680K	68 ± 10%	0.12	1.3	4.8
7023LYF-820K	82 ± 10%	0.13	1.2	4.3
7023LYF-101K	100 ± 10%	0.15	1.1	4.0
7023LYF-121K	120 ± 10%	0.24	1.0	3.7
7023LYF-151K	150 ± 10%	0.27	0.90	3.2
7023LYF-181K	180 ± 10%	0.31	0.83	2.9
7023LYF-221K	220 ± 10%	0.36	0.75	2.7
7023LYF-271K	270 ± 10%	0.41	0.67	2.5
7023LYF-331K	330 ± 10%	0.47	0.61	2.2
7023LYF-391K	390 ± 10%	0.75	0.56	1.9
7023LYF-471K	470 ± 10%	0.84	0.51	1.7
7023LYF-561K	560 ± 10%	0.95	0.46	1.6
7023LYF-681K	680 ± 10%	1.1	0.42	1.5
7023LYF-821K	820 ± 10%	1.2	0.39	1.4
7023LYF-102K	1000 ± 10%	1.4	0.35	1.3
7023LYF-122K	1200 ± 10%	1.9	0.32	1.1
7023LYF-152K	1500 ± 10%	2.2	0.28	1.0
7023LYF-182K	1800 ± 10%	2.5	0.26	0.9
7023LYF-222K	2200 ± 10%	2.9	0.24	0.8

(1) Inductance is measured at f=1kHz, Vosc=1V on LCR meter HP4284A or equivalent.

(2) The rated DC current is that which the inductance value decreases 10% by the excitation of DC current.

(3) Self-resonant frequency is measured with Network Analyzer 3577A(HP), MS560J(Anritsu) or equivalent.

(4) DC resistance is measured with Digital Multimeter TR6871(Advantest) or equivalent.

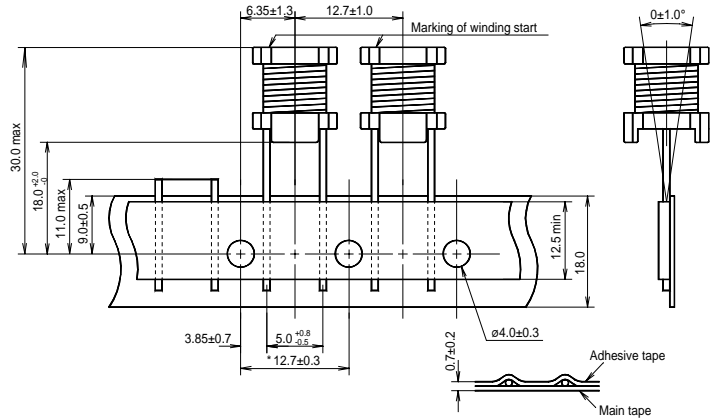
**TYPE 10RYTL**

**Frequency Range:** 1~200kHz

**Inductance Range:** 10~2200μH

**Features**

- Ideal as a choke coil for noise filtering and DC/DC converter application.
- Tape and reel for automated assembly.



(Unit: mm)

**Selection Guide for Standard Coils**

**TYPE 10RYTL**

TOKO Part Number	Inductance L (μH)	DC Resistance (Ω) max.	Rated DC Current (A) max.	Self-resonant Frequency (MHz) min.
A7024LYF-100K=R	10 ± 10%	0.045	3.5	35
A7024LYF-120K=R	12 ± 10%	0.050	3.1	25
A7024LYF-150K=R	15 ± 10%	0.053	2.9	18
A7024LYF-180K=R	18 ± 10%	0.057	2.6	12
A7024LYF-220K=R	22 ± 10%	0.065	2.3	8.4
A7024LYF-270K=R	27 ± 10%	0.070	2.1	7.5
A7024LYF-330K=R	33 ± 10%	0.078	1.9	7.2
A7024LYF-390K=R	39 ± 10%	0.085	1.7	6.9
A7024LYF-470K=R	47 ± 10%	0.095	1.6	5.8
A7024LYF-560K=R	56 ± 10%	0.11	1.4	5.0
A7024LYF-680K=R	68 ± 10%	0.12	1.3	4.8
A7024LYF-820K=R	82 ± 10%	0.13	1.2	4.3
A7024LYF-101K=R	100 ± 10%	0.15	1.1	4.0
A7024LYF-121K=R	120 ± 10%	0.24	1.0	3.7
A7024LYF-151K=R	150 ± 10%	0.27	0.90	3.2
A7024LYF-181K=R	180 ± 10%	0.31	0.83	2.9
A7024LYF-221K=R	220 ± 10%	0.36	0.75	2.7
A7024LYF-271K=R	270 ± 10%	0.41	0.67	2.5
A7024LYF-331K=R	330 ± 10%	0.47	0.61	2.2
A7024LYF-391K=R	390 ± 10%	0.75	0.56	1.9
A7024LYF-471K=R	470 ± 10%	0.84	0.51	1.7
A7024LYF-561K=R	560 ± 10%	0.95	0.46	1.6
A7024LYF-681K=R	680 ± 10%	1.1	0.42	1.5
A7024LYF-821K=R	820 ± 10%	1.2	0.39	1.4
A7024LYF-102K=R	1000 ± 10%	1.4	0.35	1.3
A7024LYF-122K=R	1200 ± 10%	1.9	0.32	1.1
A7024LYF-152K=R	1500 ± 10%	2.2	0.28	1.0
A7024LYF-182K=R	1800 ± 10%	2.5	0.26	0.9
A7024LYF-222K=R	2200 ± 10%	2.9	0.24	0.8

(1) Inductance is measured at f=1kHz, Vosc=1V on LCR meter HP4284A or equivalent.

(2) The rated DC current is that which the inductance value decreases 10% by the excitation of DC current.

(3) Self-resonant frequency is measured with Network Analyzer 3577A(HP), MS560J(Anritsu) or equivalent.

(4) DC resistance is measured with Digital Multimeter TR6871(Advantest) or equivalent.