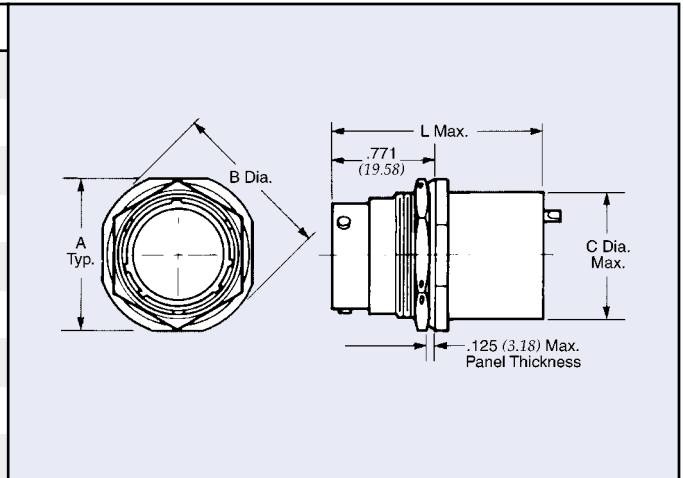


MIL-C-83723, Extended Shell Series III

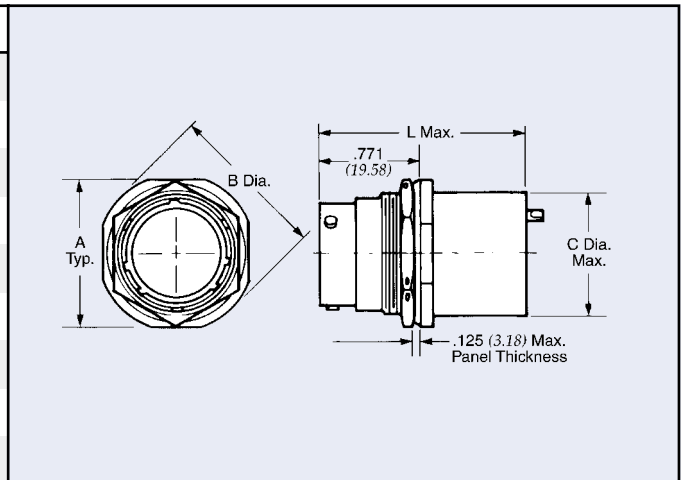
M83723/73/74 Bayonet Coupling Jam Nut Receptacle

Shell Size	A	B	C	L
8	.979 (24.87)	1.068 (27.13)	.575 (14.61)	1.830 (46.48)
10	1.104 (28.04)	1.192 (30.28)	.700 (17.78)	1.830 (46.48)
12	1.291 (32.79)	1.380 (35.05)	.825 (20.96)	1.830 (46.48)
14	1.391 (35.33)	1.505 (38.23)	.950 (24.13)	1.830 (46.48)
16	1.516 (38.51)	1.630 (41.40)	1.075 (27.31)	1.830 (46.48)
18	1.641 (41.68)	1.756 (44.60)	1.140 (28.96)	1.830 (46.48)
20	1.766 (44.86)	1.860 (47.24)	1.265 (32.13)	1.830 (46.48)
22	1.954 (49.63)	2.068 (52.53)	1.340 (34.04)	1.860 (47.24)
24	2.079 (52.81)	2.160 (54.86)	1.515 (38.48)	1.860 (47.24)



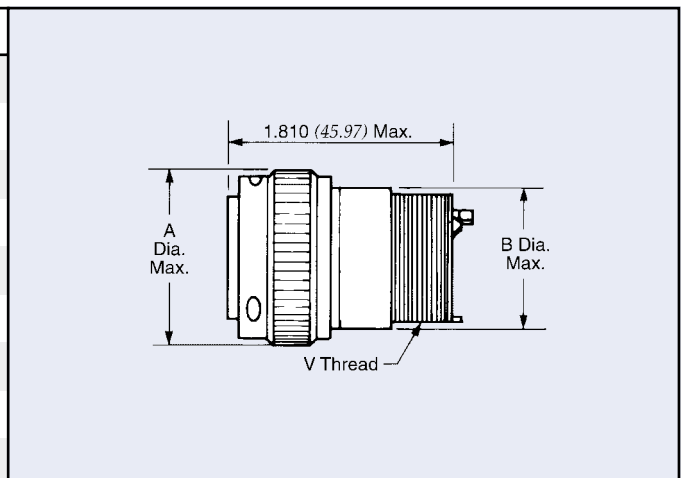
M83723/81 Bayonet Coupling Hermetic Jam Nut Receptacle

Shell Size	A	B	C	L
8	.979 (24.87)	1.068 (27.13)	.490 (12.45)	1.670 (42.42)
10	1.104 (28.04)	1.192 (30.28)	.550 (13.97)	1.670 (42.42)
12	1.291 (32.79)	1.380 (35.05)	.740 (18.80)	1.670 (42.42)
14	1.391 (35.33)	1.505 (38.23)	.800 (20.32)	1.670 (42.42)
16	1.516 (38.51)	1.630 (41.40)	.925 (23.50)	1.670 (42.42)
18	1.641 (41.68)	1.756 (44.24)	1.050 (26.67)	1.670 (42.42)
20	1.766 (44.86)	1.860 (47.24)	1.240 (31.50)	1.670 (42.42)
22	1.954 (49.63)	2.068 (52.53)	1.300 (33.02)	1.670 (42.42)
24	2.079 (52.81)	2.160 (54.86)	1.490 (37.85)	1.670 (42.42)



M83723/77/78 Bayonet Coupling Straight Plug

Shell Size	A	B	V
8	.766 (19.46)	.590 (14.99)	1/2-20 UNEF-2A
10	.906 (23.01)	.720 (18.29)	5/8-24 UNEF-2A
12	1.078 (27.38)	.840 (21.34)	3/4-20 UNEF-2A
14	1.141 (28.98)	.965 (24.51)	7/8-20 UNEF-2A
16	1.266 (32.16)	1.090 (27.69)	1-20 UNEF-2A
18	1.375 (34.93)	1.14 (29.08)	1 1/16-18 UNEF-2A
20	1.510 (38.35)	1.270 (32.26)	1 3/16-18 UNEF-2A
22	1.625 (41.28)	1.395 (35.43)	1 5/16-18 UNEF-2A
24	1.760 (44.70)	1.520 (38.61)	1 7/16-18 UNEF-2A



Dimensions in inches (mm)