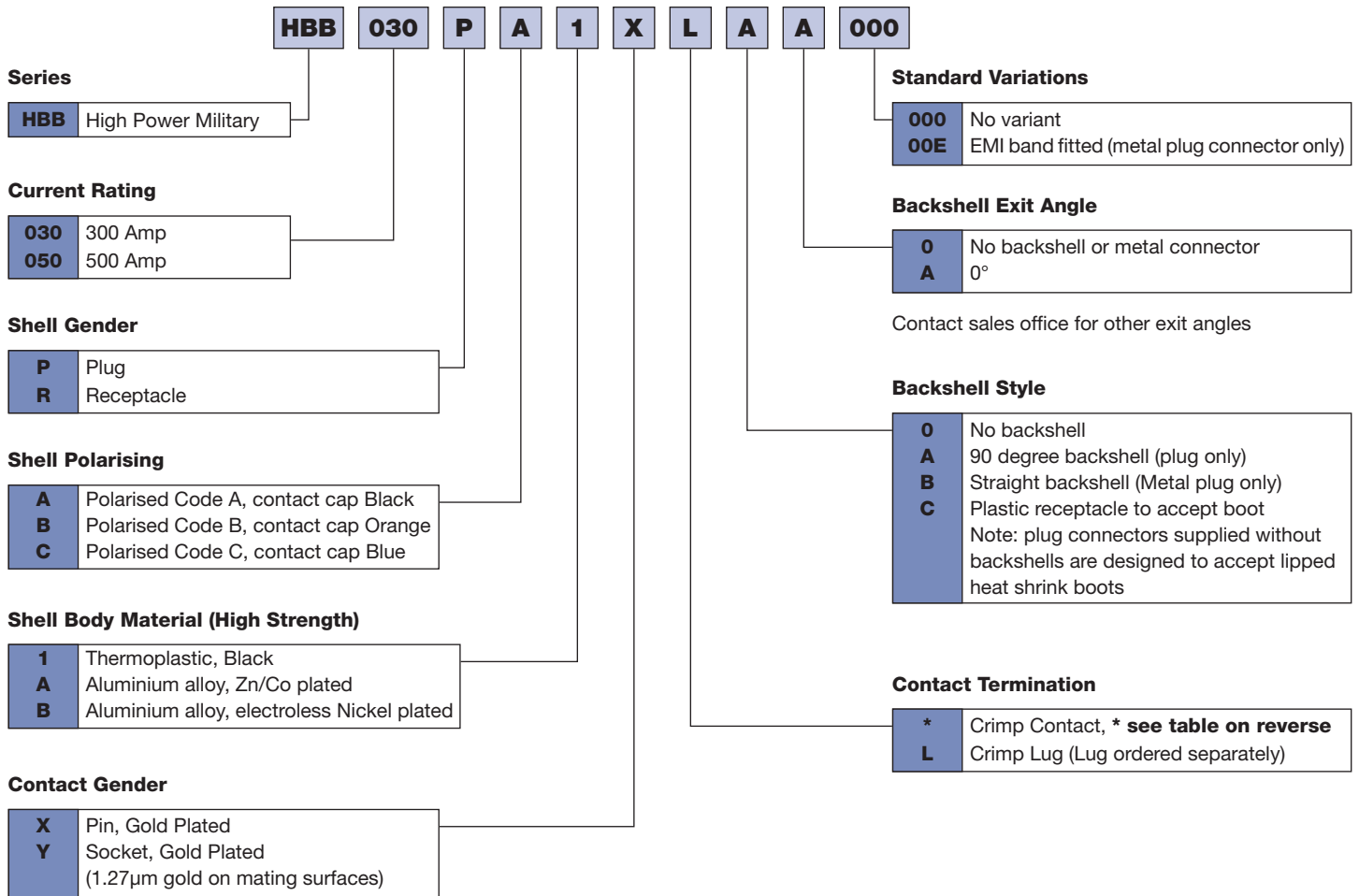


## HBB (Military)



- Contact technology guarantees high reliability
- Push lock to mate connectors
- Quick release latch to un-mate
- Ruggedised metal and plastic versions available
- Cable & panel mount variants
- Compact ergonomic design
- Low component count
- Gender reversible
- Polarised
- Low insertion force
- 360 degree EMI/RFI shielding option
- 5000+ mating cycles without EMI/RFI band
- Sealed IP67 when mated
- Finger proof to IP20
- Current rating, 300A, 500A & 750A
- Corrosion resistance to military standards
- Temperature rating -55 to +150°C

## PART NUMBER CONFIGURATOR



Contact sales office for other options; 750 amp variant, further panel sealing alternatives & crimp lugs

**PART NUMBER CONFIGURATOR (Contd.)**

HBB 030 P A 1 X L A A 000

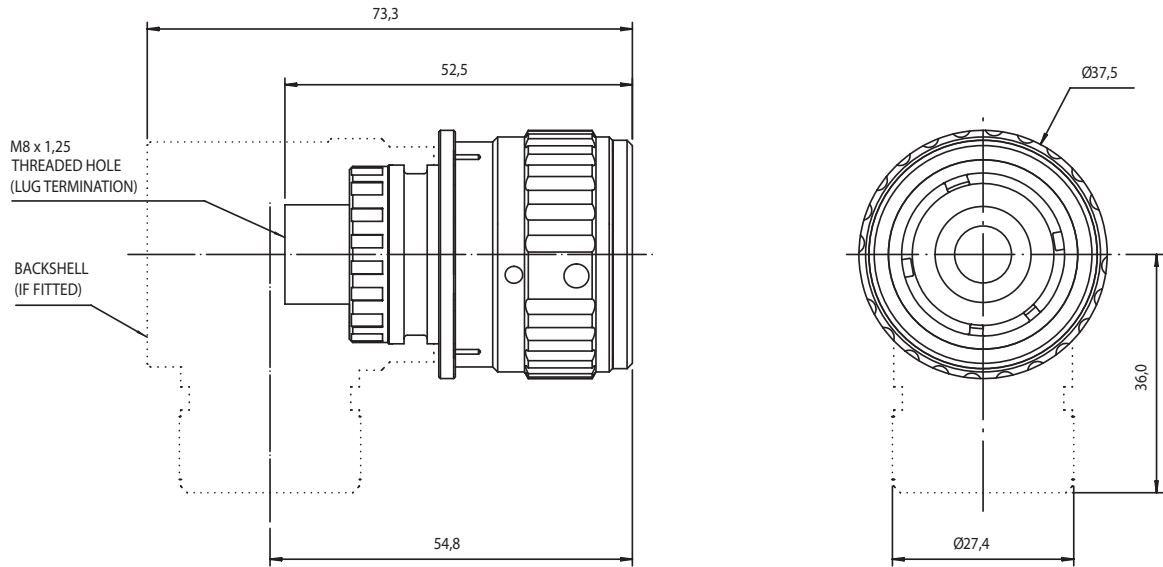
**Contact Termination**

<b>Crimp Contact Size Codes</b>				
<b>Code</b>	<b>300 Amp Connector</b>		<b>500 Amp Connector</b>	
	<b>Conductor Size (mm<sup>2</sup>)</b>	<b>Crimp Barrel Bore (mm)</b>	<b>Conductor Size (mm<sup>2</sup>)</b>	<b>Crimp Barrel Bore (mm)</b>
<b>P</b>	-	-	95	13.5
<b>Q</b>	-	-	95	14.5
<b>R</b>	50	10.0	-	-
<b>S</b>	50	11.0	-	-
<b>V</b>	-	-	120	15.0
<b>W</b>	-	-	120	16.2

Contact sales office for full range of crimp contacts

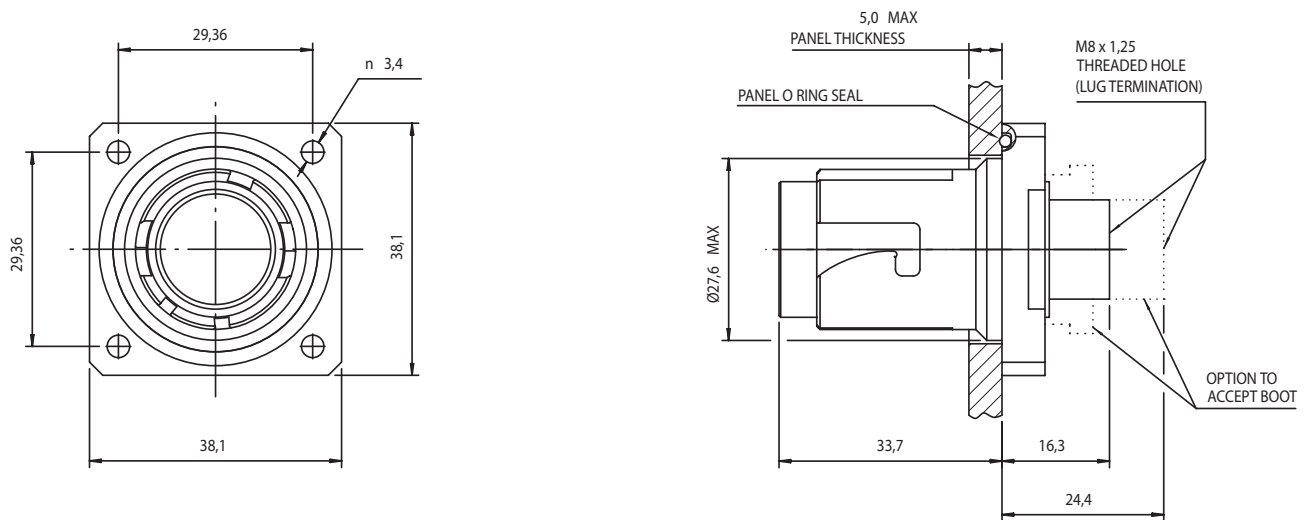
**Power Connector (quick release)**

**300 Amp - Plastic Plug**



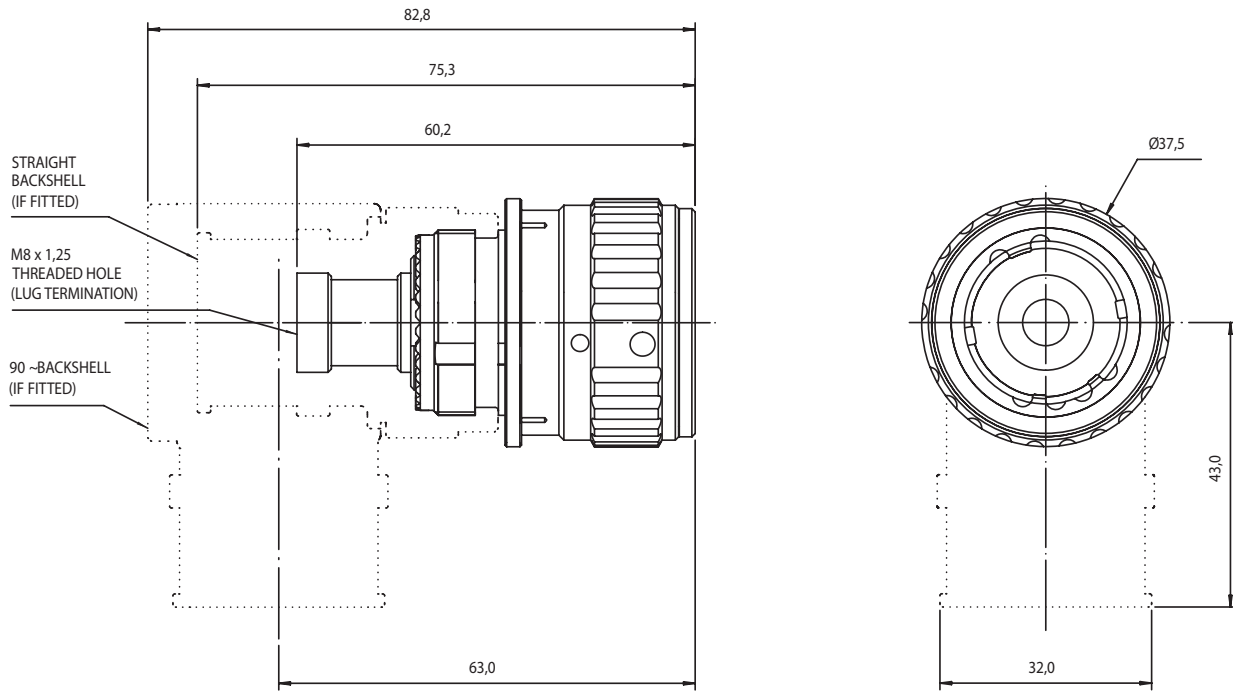
**Power Connector (quick release)**

**300 Amp - Plastic Receptacle**



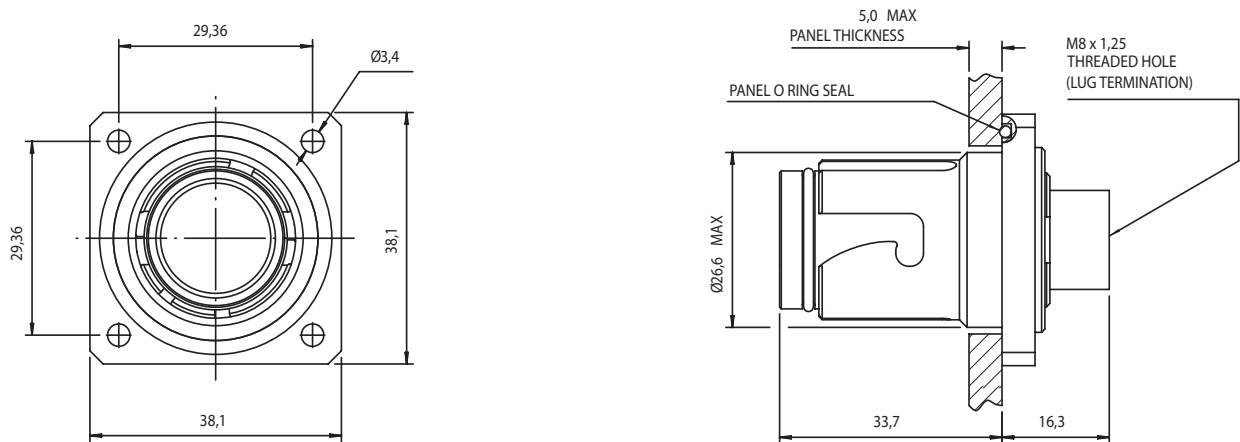
**Power Connector (quick release)**

**300 Amp - Metal Plug**



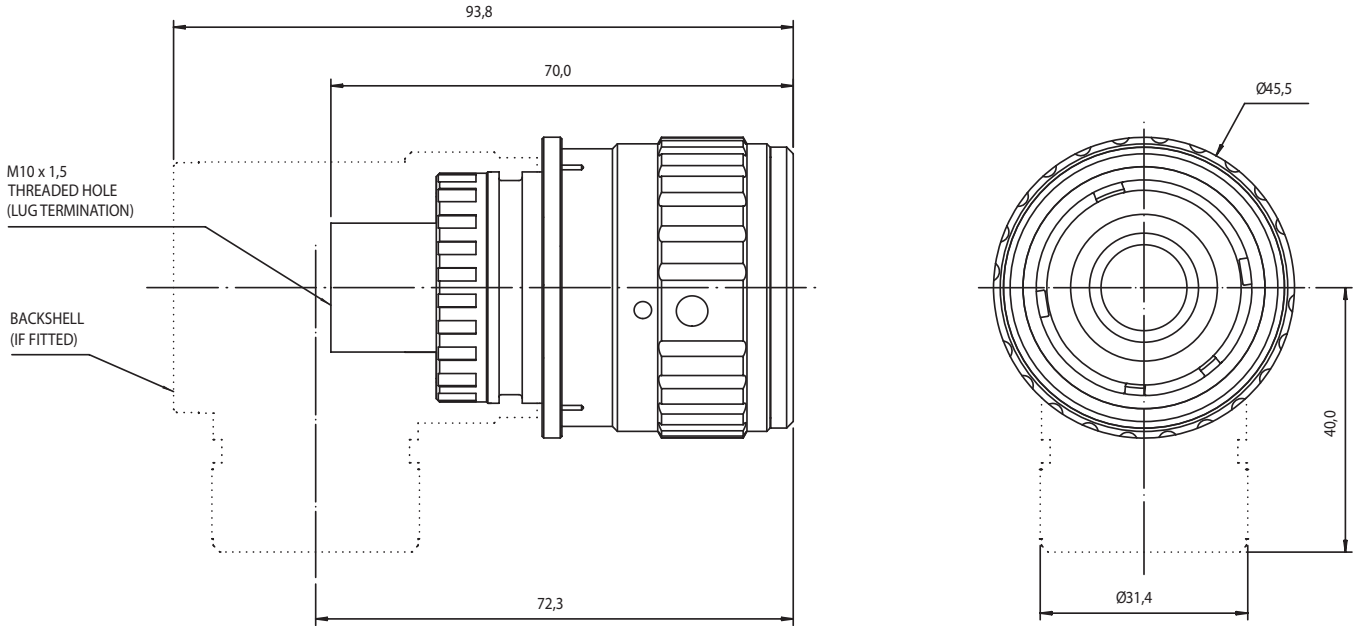
**Power Connector (quick release)**

**300 Amp - Metal Receptacle**



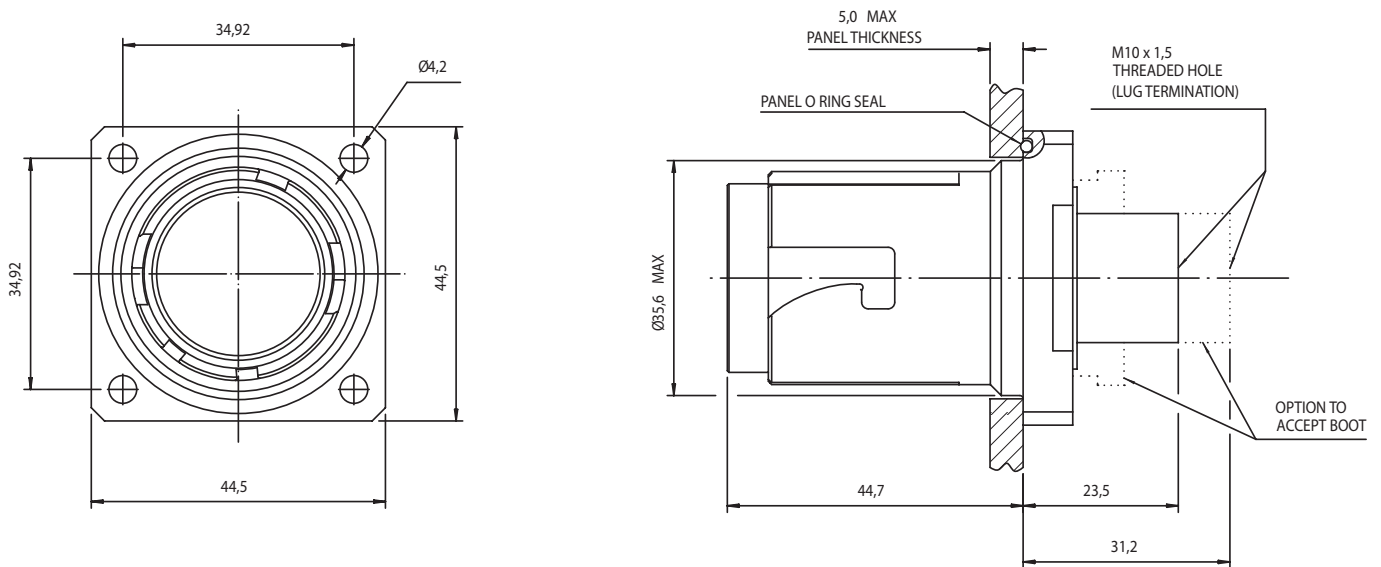
**Power Connector (quick release)**

**500 Amp - Plastic Plug**



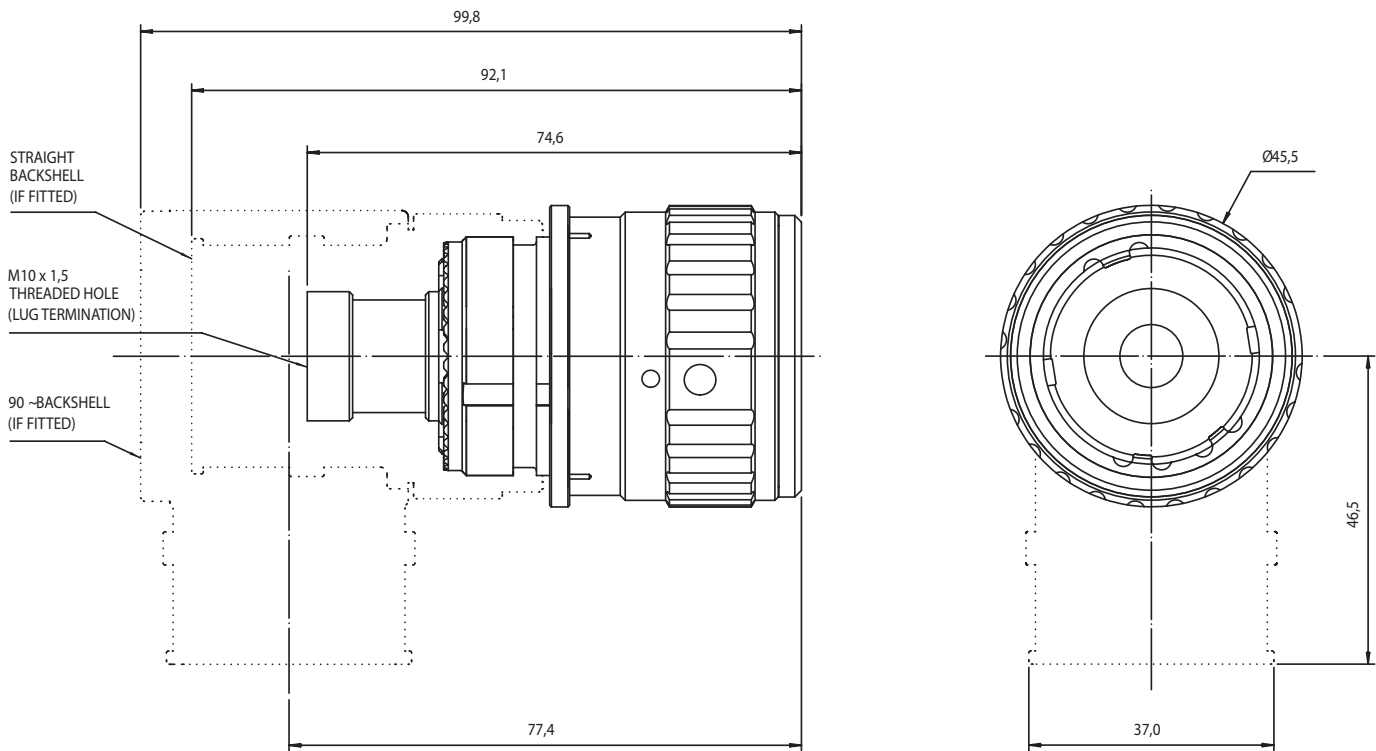
**Power Connector (quick release)**

**500 Amp - Plastic Receptacle**



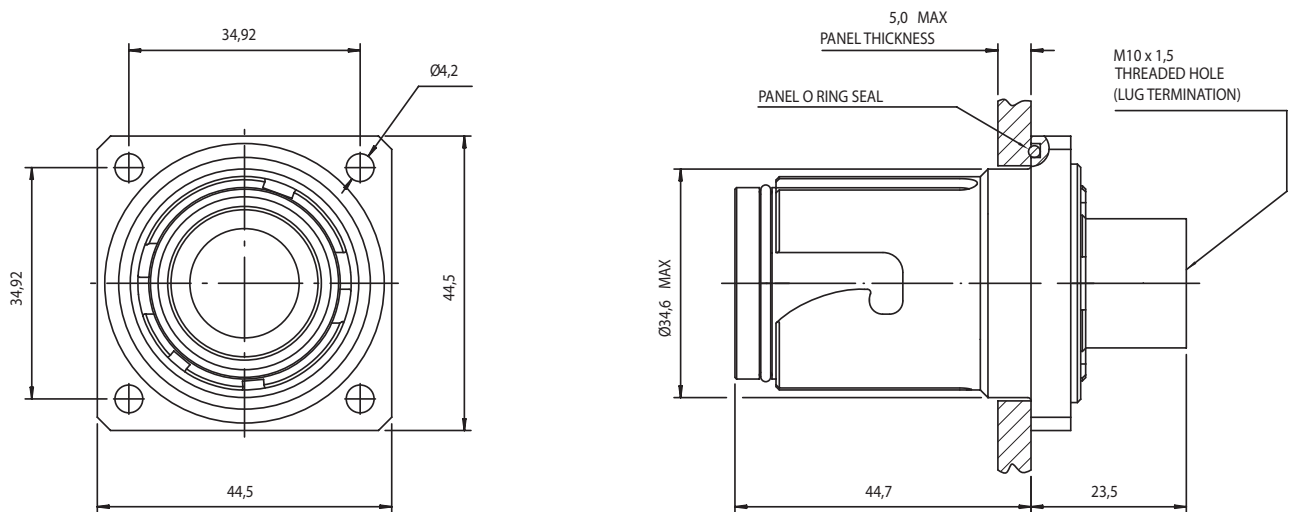
**Power Connector (quick release)**

**500 Amp - Metal Plug**



**Power Connector (quick release)**

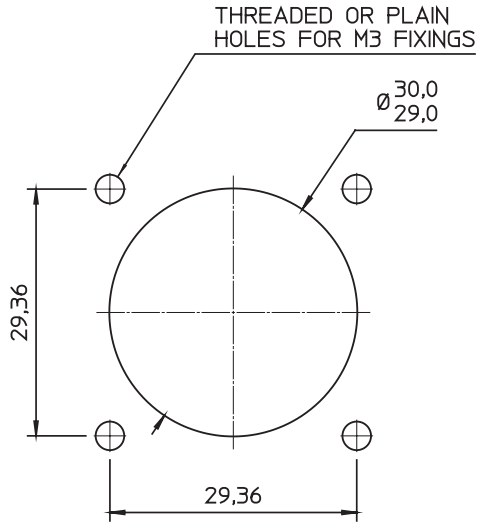
**500 Amp - Metal Receptacle**



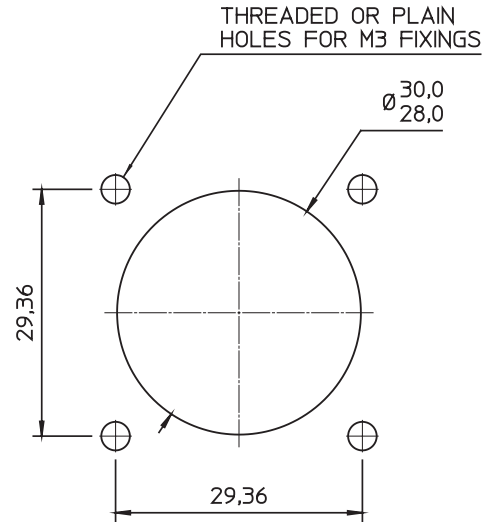
**Power Connector (quick release)**

**Panel Cut-Outs**

**300 Amp - Plastic**



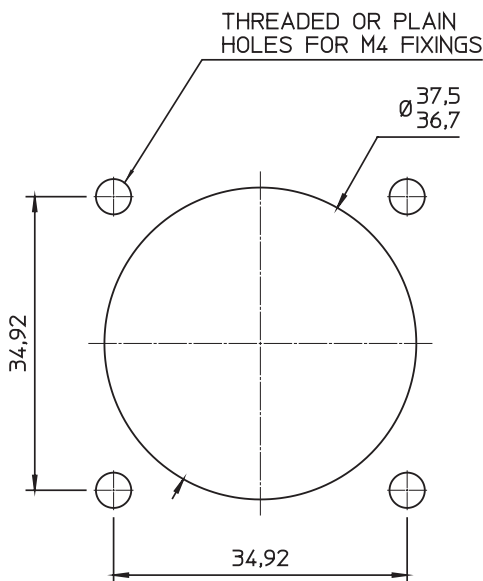
**300 Amp - Metal**



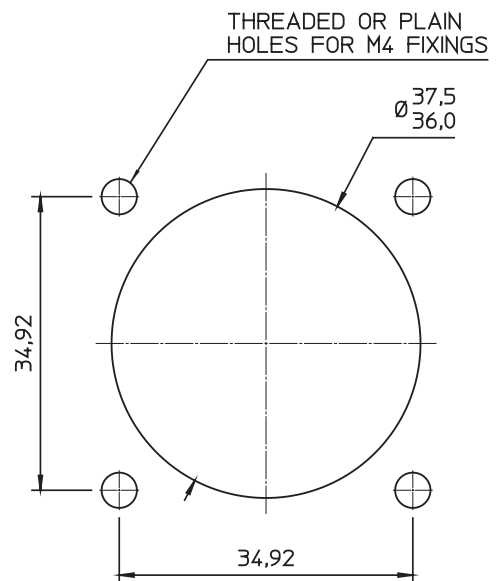
**Power Connector (quick release)**

**Panel Cut-Outs**

**500 Amp - Plastic**



**500 Amp - Metal**



**NOTES:**

1. MAXIMUM PANEL THICKNESS 5.0 MM
2. IF PANEL IS MORE THAN 3.0 MM THICK FIXING HOLES TO BE CSK OR CHEESE HEAD SCREWS ARE TO BE USED

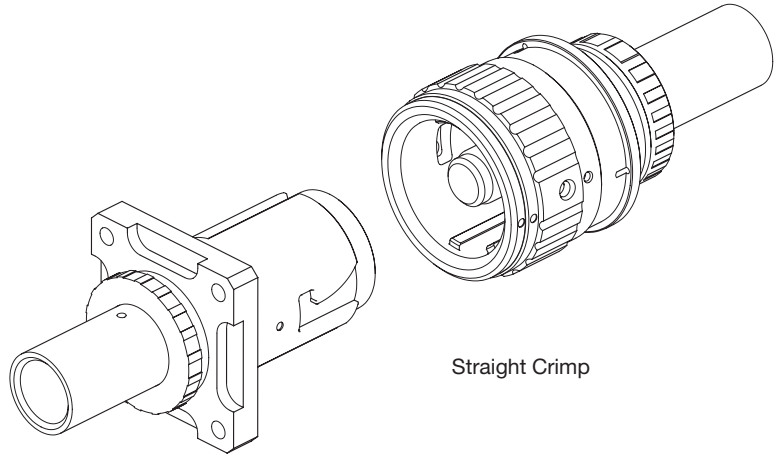
**General Information**

**Straight Crimp Terminations**

The following straight crimps are available:  
 300 amp connector 35 & 50mm<sup>2</sup>  
 500 amp connector 70, 95 & 120mm<sup>2</sup>

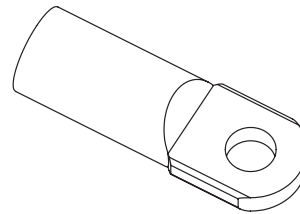
**Backshell Cable Sizes**

These are the maximum size cables that can be accommodated in backshells:  
 300 amp connector 70mm<sup>2</sup> (Ø12mm conductor)  
 500 amp connector 120mm<sup>2</sup> (Ø15mm conductor)



**Hypertac Crimp Lugs**

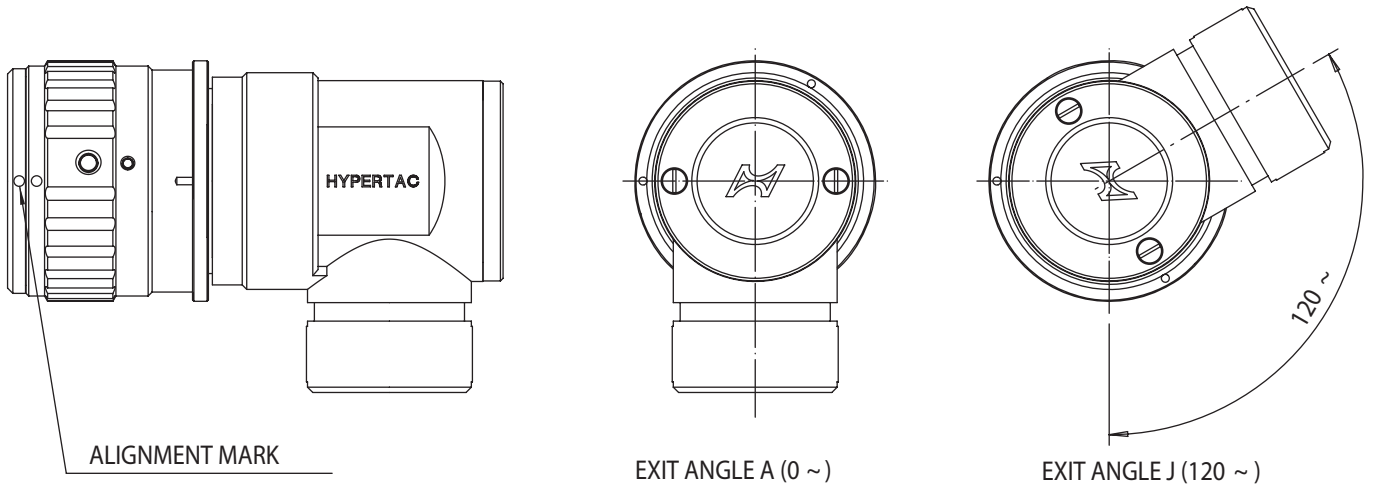
Hole Diameter (mm)	Crimp Size (mm <sup>2</sup> )	Part No.
8	35	HBB-936
8	50	HBB-905
8	70	HBB-910
10	95	HBB-937
10	120	HBB-921



Hypertac Crimp Lugs must be used with 90° Backshell Connectors

**90° Backshell Exit Angles**

Plastic connectors are supplied with backshells fitted at a specified angle (15° increments) and are not removable, see figure below.



Two examples of backshell exit angles

Metal connectors are supplied with backshells un-fitted.