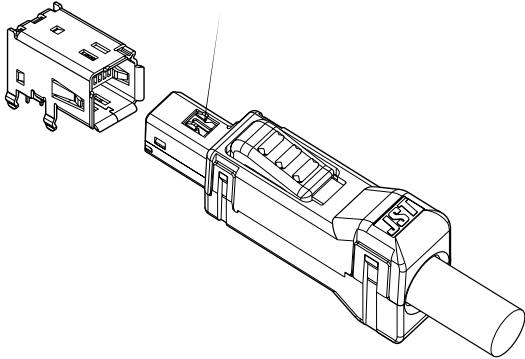


MUF CONNECTOR

0.8mm pitch/For Interface



This connector is the shielded interface connector with locking mechanism.

- ***Plug side: Easy assembling method***
- ***Receptacle side: The miniaturization is realized***
- ***Keying: Corresponding to the mis-insertion prevention***

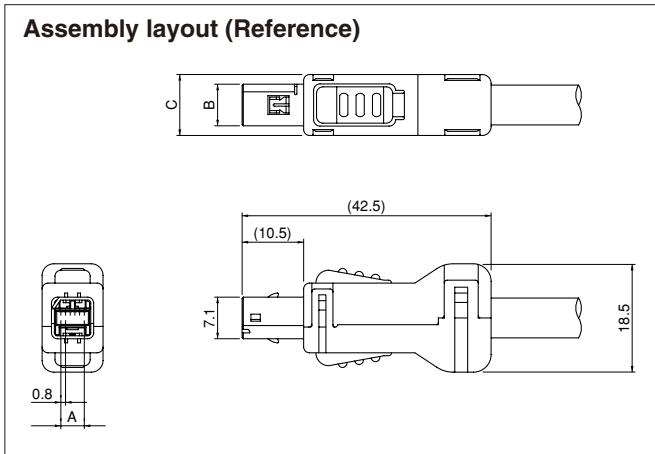
Specifications

- Current rating: 1.0A AC, DC
 - Voltage rating: 30V AC, DC
 - Temperature range: -55°C to +85°C
(including temperature rise in applying electrical current)
 - Contact resistance: Initial value/50m Ω max.
After environmental testing/100m Ω max.
 - Insulation resistance: Initial value/100M Ω min.
 - Withstanding voltage: Initial value/100V AC/minute
 - Applicable wire: AWG#28 to #24
Conductor insulation O.D./1.2mm max.
Cable O.D./6.8mm max.
 - Applicable PC board thickness: 1.6mm
- * Compliant with RoHS.
* Refer to "General Instruction and Notice when using Terminals and Connectors" at the end of this catalog.
* Contact JST for details.

MUF CONNECTOR

Plug

Assembly layout (Reference)



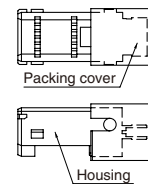
Circuits	Keying	Model No.	Dimensions (mm)			Q'ty / box
			A	B	C	
6	X	MUF-PK6K-X	4.0	7.2	10.4	54
	Y	MUF-PK6W-Y	4.0	7.2	10.4	54
8	X	MUF-PK8K-X	5.6	8.8	12.0	54
	Y	MUF-PK8W-Y	5.6	8.8	12.0	54

Material and Finish

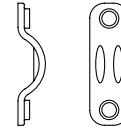
Contact: Copper alloy, nickel-undercoated, selective gold-plated
Housing: Thermoplastic resin, UL94V-0, black
Metal shell A, B: Metal shell/ Copper alloy, nickel-undercoated, tin-plated
(Lock Ass'y): Plug lock/ Stainless
Cover housing A, B: Thermoplastic resin, UL94V-0, black (X-Keying), white (Y-Keying)
Cable lump: Steel, nickel-undercoated, tin-plated
Screw: Steel, copper-undercoated, nickel-plated

RoHS compliance

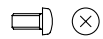
Housing
(with packing cover)



Cable clamp

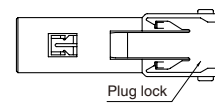


Screw (2 pcs.)

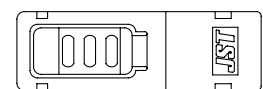


KIT PARTS

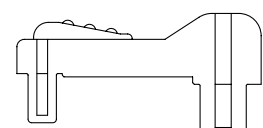
Metal shell (A)
[Lock Ass'y]



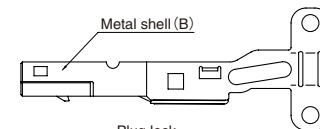
Cover housing (B)



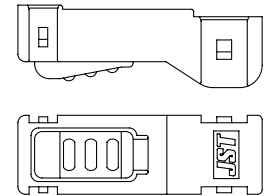
Metal shell (A)



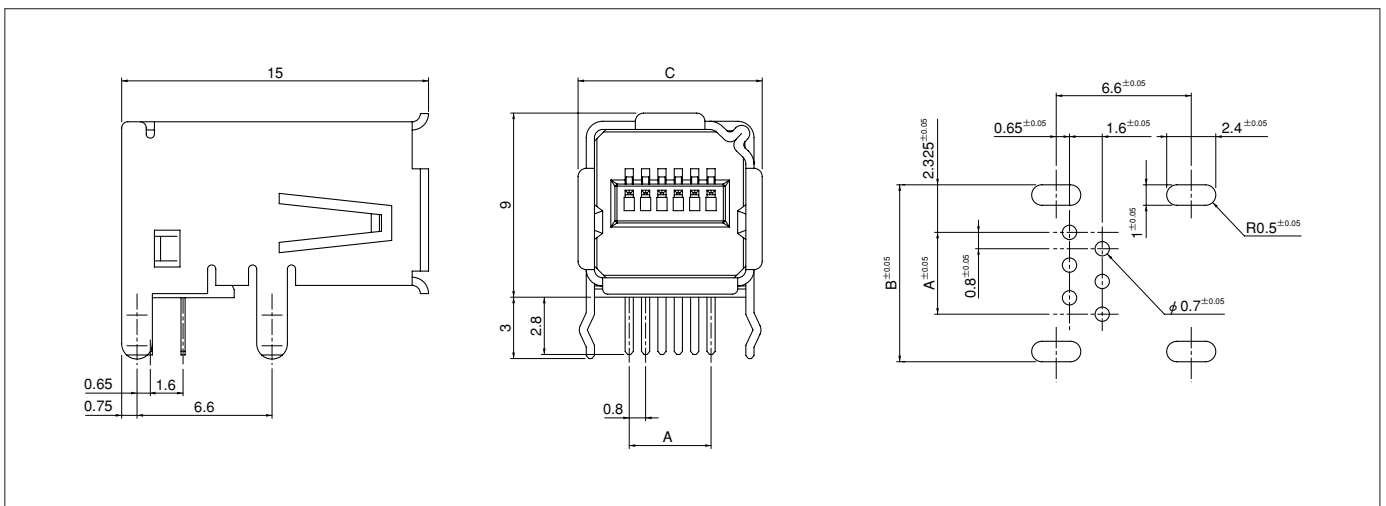
Metal shell (B)
[Lock Ass'y]



Cover housing (A)



Receptacle



Circuits	Keying	Model No.	Dimensions (mm)			Q'ty / box
			A	B	C	
6	X	MUF-RS6DK-GKXR	4.0	8.65	9.0	105
	Y	MUF-RS6DS-GKYR	4.0	8.65	9.0	105
8	X	MUF-RS8DK-GKXR	5.6	10.25	10.6	105
	Y	MUF-RS8DS-GKYR	5.6	10.25	10.6	105

Material and Finish

Contact: Copper alloy, nickel-undercoated, selective gold-plated
Housing: Thermoplastic resin, UL94V-0, black (X-Keying), natural/white (Y-Keying)
Metal shell: Copper alloy, nickel-undercoated, tin-plated

RoHS compliance