

# SQUARE FLANGE RECEPTACLE

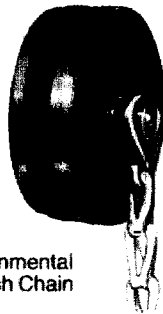


Types  
**ZRLP ZRCP ZREP**

To specify a complete receptacle, substitute the Dash No. of the contact insert selected, for the Asterisk (\*) in the Catalog No. below.

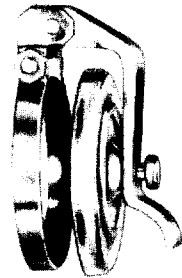
Shell Size	Open Back	Cat. No.	DIMENSIONS									
			A	B	C*	E	F	G	J	K*	L	N
12	Use with or without Potting Sleeves	ZRLP-12-*	1 3/4	1 3/8	1 1/2	1 1/64	2 15/16	2 1/8	1	1 11/32	2 21/64	1/4
16		ZRLP-16-*	2 1/4	1 11/16	2	13/64	2 15/16	2 1/8	1	1 27/32	2 21/64	1/4
20		ZRLP-20-*	2 3/4	2 3/32	2 1/2	7/32	2 15/16	2 3/16	1	2 11/32	2 21/64	1/4
C20		ZRLP-C20-*	2 3/4	2 3/32	2 1/2	7/32	2 7/16	2 11/16	1 1/2	2 11/32	2 53/64	3/4
24		ZRLP-24-*	3 1/4	2 17/32	3	9/32	2 15/16	2 3/16	1	2 27/32	2 21/64	1/4
C24		ZRLP-C24-*	3 1/4	2 17/32	3	9/32	2 7/16	2 11/16	1 1/2	2 27/32	2 53/64	3/4
28		ZRLP-28-*	3 3/4	3 1/32	3 1/2	1 1/32	2 15/16	2 3/16	1	3 11/32	2 21/64	1/4
C28		ZRLP-C28-*	3 3/4	3 1/32	3 1/2	1 1/32	2 7/16	2 11/16	1 1/2	3 11/32	2 53/64	3/4

To specify receptacle with threaded environmental cover change third letter in part number from "L" to "E".  
Example: ZRLP changes to ZREP.

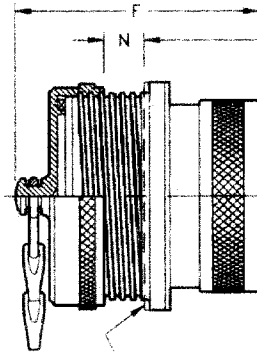
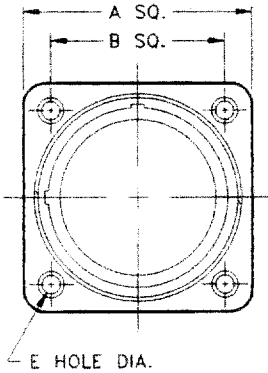


Threaded Environmental Cover with Sash Chain

To specify receptacle with spring door cover change third letter in part number from "L" to "C".  
Example: ZRLP changes to ZRCP.

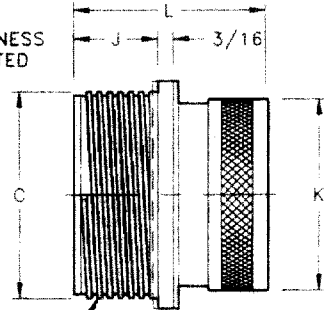


Hinged Spring Door

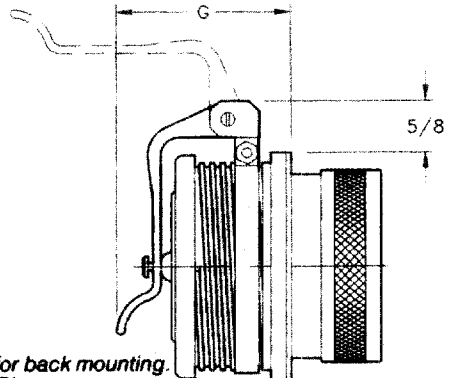
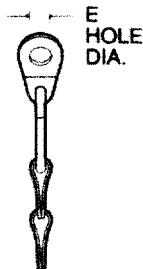


1/16" GASKET FITS FRONT OR BACK OF FLANGE

MAX. PANEL THICKNESS WHEN BACK MOUNTED USING JACK NUT PLUGS.\*\*



MODIFIED ACME THREAD



Drill hole in panel 1/64" larger than Dimension "K" for front mounting or Dimension "C" for back mounting.  
\*\*Maximum panel thickness may be increased 1/8" when using Standard Coupling Nut Plugs.