

CFPT-123

ISSUE 4 ; 8 JUNE 2005

Delivery Options

- Please contact our sales office for current leadtimes

Description

- CFPT-123 is a surface mount temperature compensated voltage controlled crystal oscillator (TCVCXO) providing a high degree of frequency stability over a wide temperature range

Package Outline

- 7.0 × 5.0 × 2.0mm SMD

Stock Frequencies

- 10.0, 12.80, 13.0, 14.40, 15.360, 19.20, 19.44, 19.68, 20.0, 26.0MHz

Output Waveform

- Clipped Sine 0.8V pk-pk minimum
- Output load: 10kΩ // 10pF ±10%

Frequency Adjustment

- ±5ppm min, V control 1.5V±1.0V applied to pad 1
- VC Input Impedance >1.0MΩ

Frequency Stability

- Temperature (see table)
- Supply Voltage Variation: ±0.2ppm (5% change)
- Load Variation: ±0.2ppm (10% change)
- Ageing ±1ppm typical first year @ 25°C

Storage Temperature Range

- -55 to 125°

Solder Conditions

- For typical soldering conditions, please see the relevant pages in Applications Notes

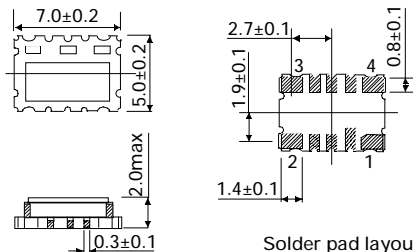
Marking

- Model Number
- Frequency

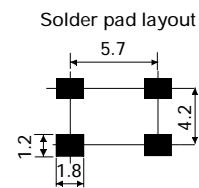
Minimum Order Information Required

- Frequency + Model Number + Frequency Stability + Operating Temperature Range

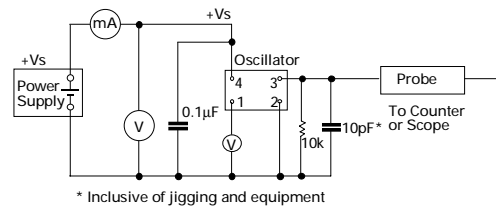
Outline in mm



- Pad Connections
1. Voltage Control
 2. GND
 3. Output
 4. +Vs



Test Circuit



Electrical Specifications - maximum limiting values when measured in test circuit

Frequency Range	Supply Voltage	Supply Current	Voltage Control Change	Output Waveform	Output	Model Number
10.0 to 26.0MHz	3.0V±0.15V	2.5mA	±5.0ppm min. /1.5V±1.0V	Clipped Sine	0.8V pk-pk min	CFPT-123

Frequency Stabilities Available Over Operating Temperature Ranges

Operating Temperature Ranges	Frequency Stabilities Vs Operating Temperature Range			
	±1.5ppm	±2.0ppm	±2.5ppm	±5.0ppm
0 to 50°C	CP	GP	HP	KP
-10 to 60°C	CR	GR	HR	KR
-20 to 70°C	—	GS	HS	KS
-30 to 80°C	—	GV	HV*	KV
-30 to 85°C	—	—	HW	KW
-40 to 85°C	—	—	HX	KX

*Please note Code HV is the standard frequency stability vs operating temperature range

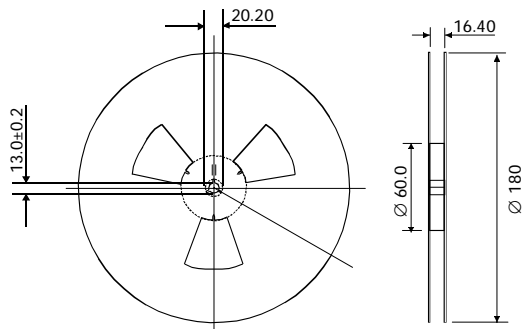
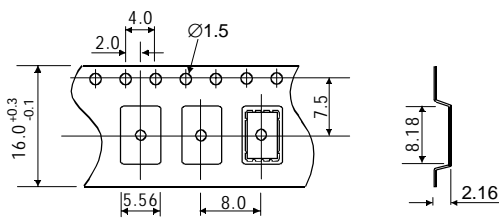
Ordering Example	12.8MHz	CFPT-123	HV
Frequency _____	_____	_____	_____
Model number _____	_____	_____	_____
Frequency Stability Vs Operating Temperature Code _____	_____	_____	_____

Note. Other frequencies may be available, please contact our sales office.

SURFACE MOUNT
TCXOs

Outline in mm - Reel

Outline in mm - Tape



CFPT-123 STOCK SURFACE MOUNT TCXOs

CFPT-123 - Clipped Sine

Frequency	Frequency Stability	Operating Temperature	Stock No. Code	Alpha Code	Packaging
10.0MHz	±2.5ppm	-30 to 80°C	TVX0009984	T600B	Bulk
12.80MHz	±2.5ppm	-30 to 80°C	TVX0009983	T602B	Bulk
13.0MHz	±2.5ppm	-30 to 80°C	TVX0009982	T603B	Bulk
14.40MHz	±2.5ppm	-30 to 80°C	TVX0009981	T604B	Bulk
15.360MHz	±2.5ppm	-30 to 80°C	TVX0009980	T609B	Bulk
19.20MHz	±2.5ppm	-30 to 80°C	TVX0009979	T616B	Bulk
19.440MHz	±2.5ppm	-30 to 80°C	TVX0009978	T617B	Bulk
19.680MHz	±2.5ppm	-30 to 80°C	TVX0009977	T618B	Bulk
20.0MHz	±2.5ppm	-30 to 80°C	TVX0009976	T619B	Bulk
26.0MHz	±2.5ppm	-30 to 80°C	TVX0009975	T626B	Bulk