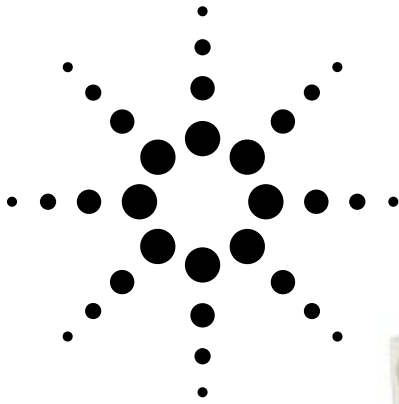


Agilent HSMx-A10x-xxxxx PLCC-2 Surface Mount LED Indicator Data Sheet



Description

This family of SMT LEDs is packaged in the industry standard PLCC-2 package. These SMT LEDs have high reliability performance and are designed to work under a wide range of environmental conditions. This high reliability feature makes them ideally suited to be used under harsh interior automotive as well as interior signs application conditions.

To facilitate easy pick & place assembly, the LEDs are packed in EIA-compliant tape and reel. Every reel will be shipped in single intensity and color bin, except red color, to provide close uniformity.

These LEDs are compatible with IR solder reflow process. Due to the high reliability feature of these products, they can also be mounted using through-the-wave soldering process.

The super wide viewing angle at 120° makes these LEDs ideally suited for panel, push button, or general backlighting in automotive interior, office equipment, industrial equipment, and home appliances. The flat top emitting surface makes it easy for these LEDs to mate with light pipes. With the built-in reflector pushing up the intensity of the light output, these LEDs are also suitable to be used as LED pixels in interior electronic signs.

Features

- Industry standard PLCC-2 package
- High reliability LED package
- High brightness using AlInGaP and InGaN dice technologies
- Available in full selection of colors
- Super wide viewing angle at 120°
- Available in 8 mm carrier tape on 7 inch reel (2000 pieces)
- Compatible with both IR and TTW soldering process

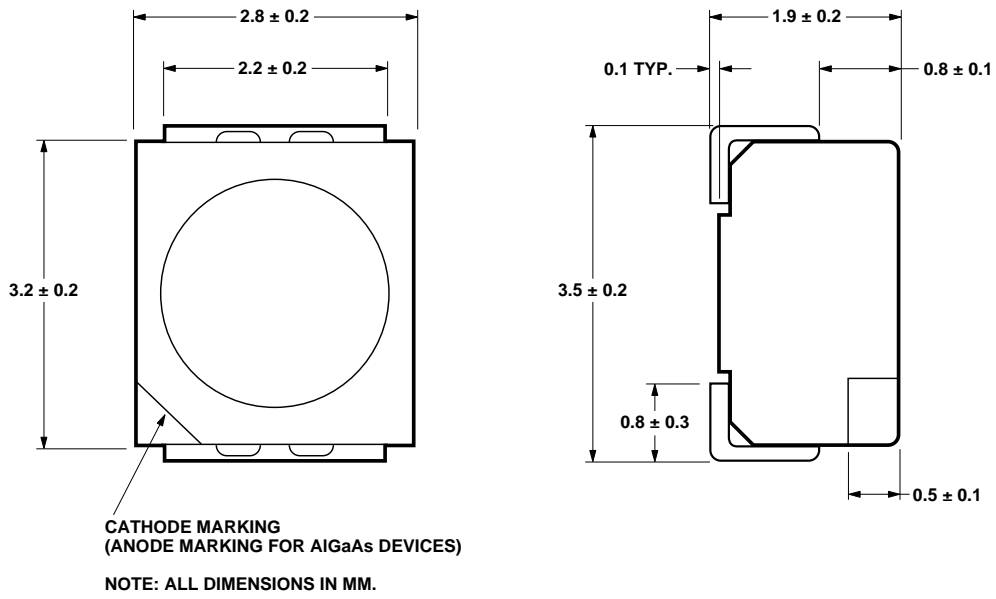
Applications

- Interior automotive
 - Instrument panel backlighting
 - Central console backlighting
 - Cabin backlighting
- Electronic signs and signals
 - Interior full color sign
 - Variable message sign
- Office automation, home appliances, industrial equipment
 - Front panel backlighting
 - Push button backlighting
 - Display backlighting

CAUTION: HSMN-, HSMM-, and HSMK-A10x-xxxxx LEDs are Class 2 ESD sensitive. Please observe appropriate precautions during handling and processing. Refer to Agilent Application Note AN-1142 for additional details.



Package Dimensions



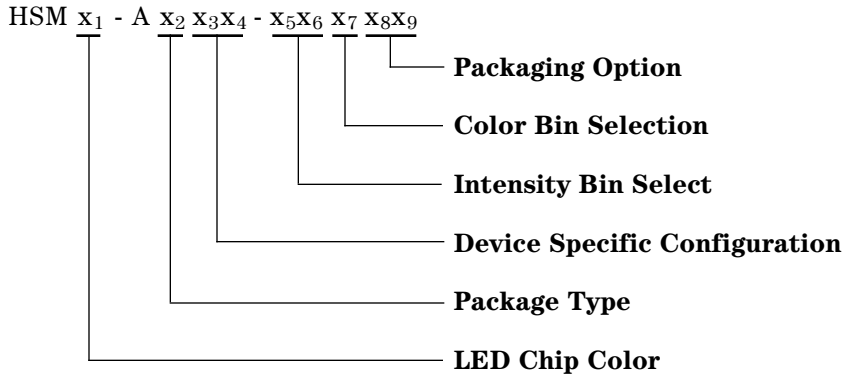
Device Selection Guide

Color	Part Number	Min I_v @ 20 mA (mcd)	Typical I_v @ 20 mA (mcd)	Dice Technology
Red	HSMS-A100-J00J1	4.0	15.0	GaP
	HSMS-A100-L00J1	10.0	15.0	
	HSMH-A100-L00J1	10.0	50.0	AS AlGaAs
	HSMH-A100-N00J1	25.0	50.0	
	HSMC-A100-J00J1	4.0	100.0	AS AlInGaP
	HSMC-A100-Q00J1	63.0	100.0	
	HSMC-A100-R00J1	100.0	140.0	TS AlInGaP
	HSMC-A101-S00J1	160.0	240.0	
	HSMZ-A100-R00J1	100.0	400.0	
Red Orange	HSMJ-A100-Q00J1	63.0	200.0	AS AlInGaP
	HSMJ-A101-S00J1	160.0	240.0	
	HSMV-A100-R00J1	100.0	350.0	TS AlInGaP
Orange	HSMD-A100-J00J1	4.0	15.0	GaP
	HSMD-A100-L00J1	10.0	15.0	
	HSML-A100-Q00J1	63.0	160.0	AS AlInGaP
	HSML-A101-S00J1	160.0	330.0	
Yellow /Amber	HSMY-A100-J00J1	4.0	12.0	GaP
	HSMY-A100-L00J1	10.0	12.0	
	H SMA-A100-Q00J1	63.0	100.0	AS AlInGaP
	H SMA-A101-S00J1	160.0	330.0	
	HSMU-A100-R00J1	100.0	270.0	TS AlInGaP
Yellow Green	HSMG-A100-J02J1	4.0	18.0	GaP
	HSME-A100-M02J1	16.0	70.0	AS AlInGaP
Emerald Green	HSMG-A100-H01J1	2.5	8.0	GaP
	HSME-A100-L01J1	10.0	40.0	AS AlInGaP
Green	HSMM-A101-R00J1	100.0	200.0	InGaN
	HSMM-A100-S00J1	160.0	280.0	
Cyan	HSMK-A101-R00J1	100.0	170.0	InGaN
	HSMK-A100-S00J1	160.0	280.0	
Blue	HSMB-A100-J00J1	4.0	15.0	GaN
	HSMN-A101-N00J1	25.0	50.0	InGaN
	HSMN-A100-P00J1	40.0	70.0	

Note:

1. The luminous intensity, I_v , is measured at the mechanical axis of the lamp package. The actual peak of the spatial radiation pattern may not be aligned with this axis.

Part Numbering System



Absolute Maximum Ratings (T_A = 25°C)

Parameters	GaP	AlGaAs	AS AlInGaP		TS AlInGaP	GaN/InGaN
	HSMS/D/G/Y	HSMH	HSMC/J/L/A	HSME	HSMV/U/Z	HSMB/N/K/M
DC Forward Current ^[1]	30 mA	30 mA	30 mA ^[3,4]	20 mA ^[3,4]	30 mA ^[3,4]	30 mA
Peak Forward Current ^[2]	100 mA	100 mA	100 mA	100 mA	100 mA	100 mA
Power Dissipation	63 mW	60 mW	63 mW	48 mW	72 mW	114 mW
Reverse Voltage	5 V					
Junction Temperature	110°C					
Operating Temperature	-55°C to +100°C					
Storage Temperature	-55°C to +100°C					

Notes:

- Derate linearly as shown in Figure 4.
- Duty factor = 10%, Frequency = 1 kHz.
- Drive current between 10 mA and 30 mA is recommended for best long term performance.
- Operation at current below 5 mA is not recommended.

Optical Characteristics at $T_A = 25^\circ\text{C}$

Color	Part Number	Dice Technology	Peak Wavelength λ_{peak} (nm) Typ.	Dominant Wavelength λ_D (nm) Typ.	Viewing Angle $2\theta_{1/2}$ (Degrees) Typ.	Luminous Efficacy η_V ^[5] (lm/w) Typ.	Luminous Intensity/ Total Flux $I_V(\text{mcd})/\phi_V(\text{mlm})$ Typ.
Red	HSMS-A100	GaP	635	626	120	120	0.45
	HSMH-A100	AS AlGaAs	645	637	120	63	0.45
	HSMC-A10x	AS AlInGaP	635	626	120	150	0.45
	HSMZ-A100	TS AlInGaP	639	630	120	155	0.45
Red Orange	HSMJ-A10x	AS AlInGaP	621	615	120	240	0.45
	HSMV-A100	TS AlInGaP	623	617	120	263	0.45
Orange	HSM D-A100	GaP	600	602	120	380	0.45
	HSM L-A10x	AS AlInGaP	609	605	120	320	0.45
Amber	HSM Y-A100	GaP	583	585	120	520	0.45
	HSM A-A10x	AS AlInGaP	592	590	120	480	0.45
	HSM U-A100	TS AlInGaP	594	592	120	500	0.45
Yellow Green	HSM G-A100	GaP	565	569	120	590	0.45
	HSM E-A100	AS AlInGaP	575	576	120	620	0.45
Emerald Green	HSM G-A100	GaP	558	560	120	650	0.45
	HSM E-A100	AS AlInGaP	566	567	120	TBD	0.45
Green	HSM M-A10x	InGaN	523	525	120	500	0.45
Cyan	HSM K-A10x	InGaN	502	505	120	300	0.45
Blue	HSM B-A100	GaN	428	462	120	65	0.45
	HSM N-A10x	InGaN	468	470	120	75	0.45

Notes:

1. The dominant wavelength, λ_D , is derived from the CIE Chromaticity Diagram and represents the color of the device.
2. $\theta_{1/2}$ is the off-axis angle where the luminous intensity is 1/2 the peak intensity.
3. Radiant intensity, I_e in watts/steradian, may be calculated from the equation $I_e = I_V/\eta_V$, where I_V is the luminous intensity in candelas and η_V is the luminous efficacy in lumens/watt.

Electrical Characteristics at $T_A = 25^\circ\text{C}$

Dice Technology	Forward Voltage V_F (Volts) @ $I_F = 20\text{ mA}$		Reverse Voltage V_R @ $100\ \mu\text{A}$	Reverse Voltage V_R @ $10\ \mu\text{A}$	Thermal Resistance $R_{\theta_{JP}}$ ($^\circ\text{C}/\text{W}$)
	Typ.	Max.	Min.	Min.	
GaP	2.2	2.6	5	—	180
AS AlGaAs	1.9	2.6	5	—	180
AS AlInGaP	1.9	2.4	5	—	280
TS AlInGaP	2.2	2.6	5	—	280
GaN	3.9	4.3	—	5	280
InGaN	3.4	4.05	—	5	280

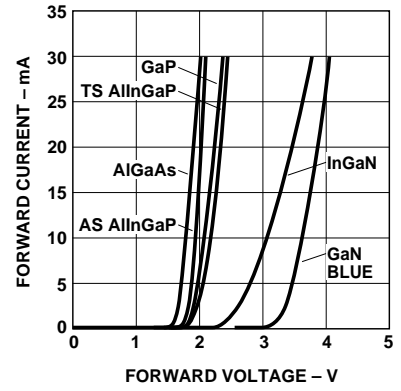
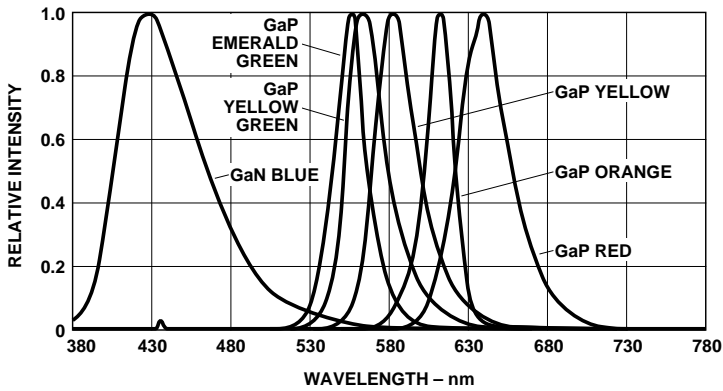
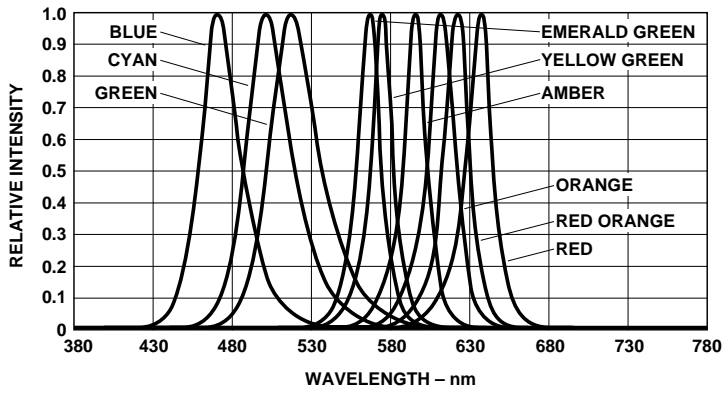


Figure 1. Relative intensity vs. wavelength.

Figure 2. Forward current vs. forward voltage.

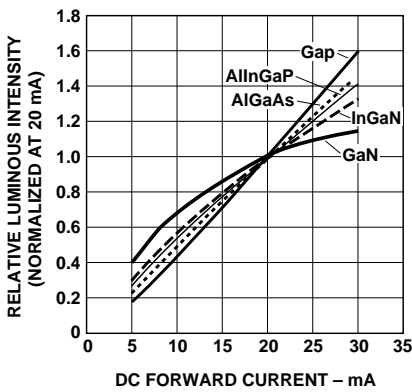


Figure 3. Relative intensity vs. forward current.

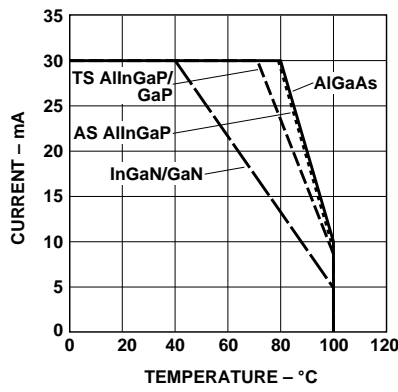


Figure 4. Maximum forward current vs. ambient temperature. Derated based on $T_{JMAX} = 110^{\circ}C$, $R_{\theta JA} = 500^{\circ}C/W$.

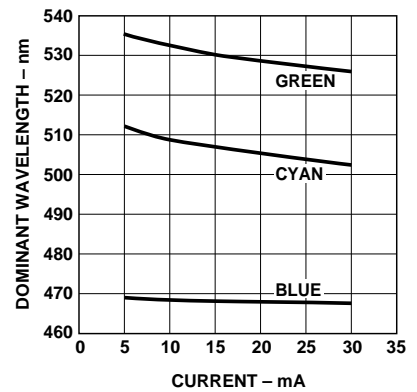


Figure 5. Dominant wavelength vs. forward current - InGaN devices.

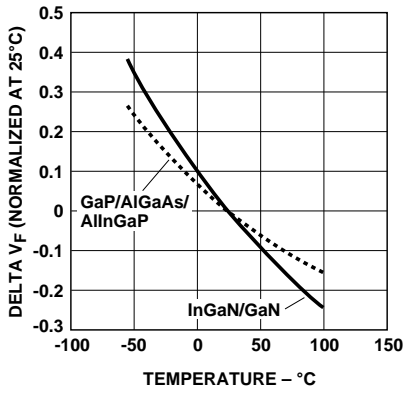


Figure 6. Forward voltage shift vs. temperature.

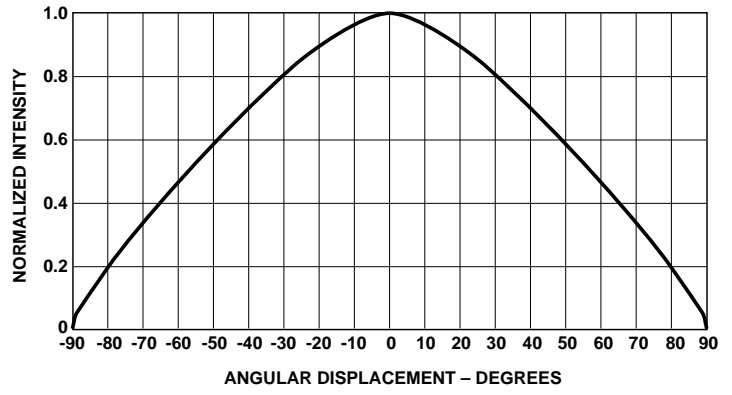


Figure 7. Radiation Pattern.

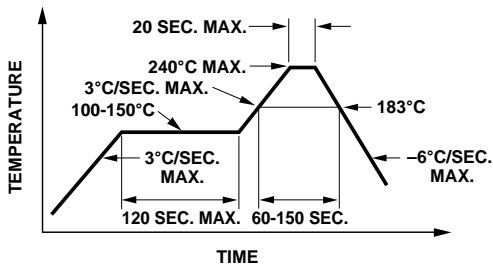


Figure 8. Recommended reflow soldering profile.

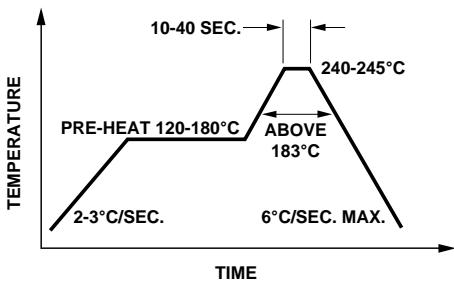
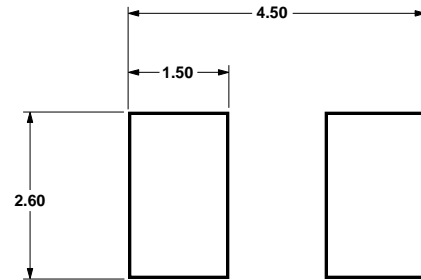


Figure 8a. Recommended wave soldering profile.

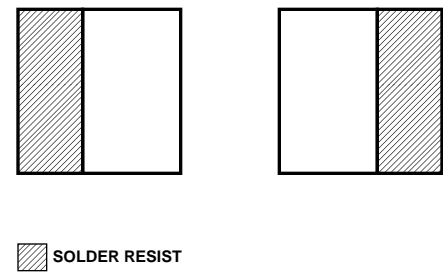


Figure 9. Recommended soldering pad pattern.

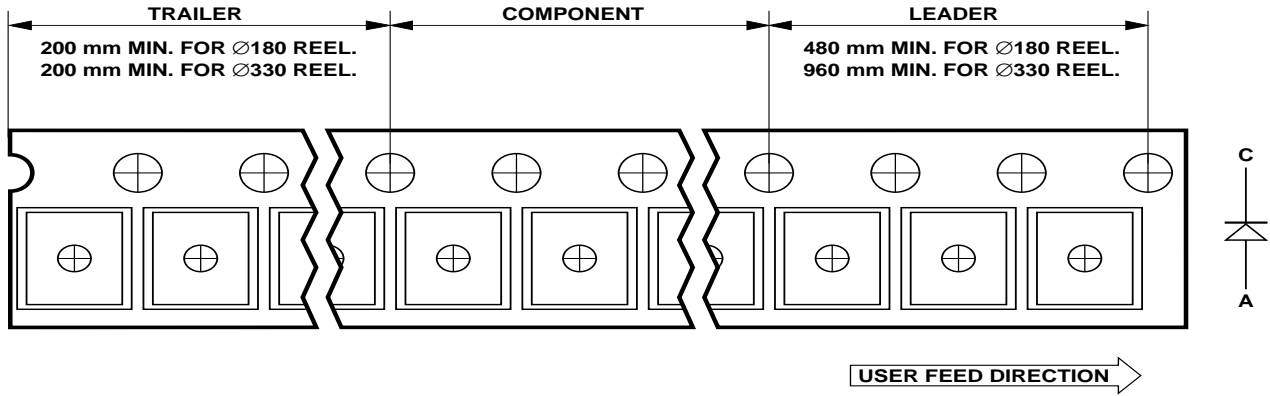


Figure 10. Tape leader and trailer dimension.

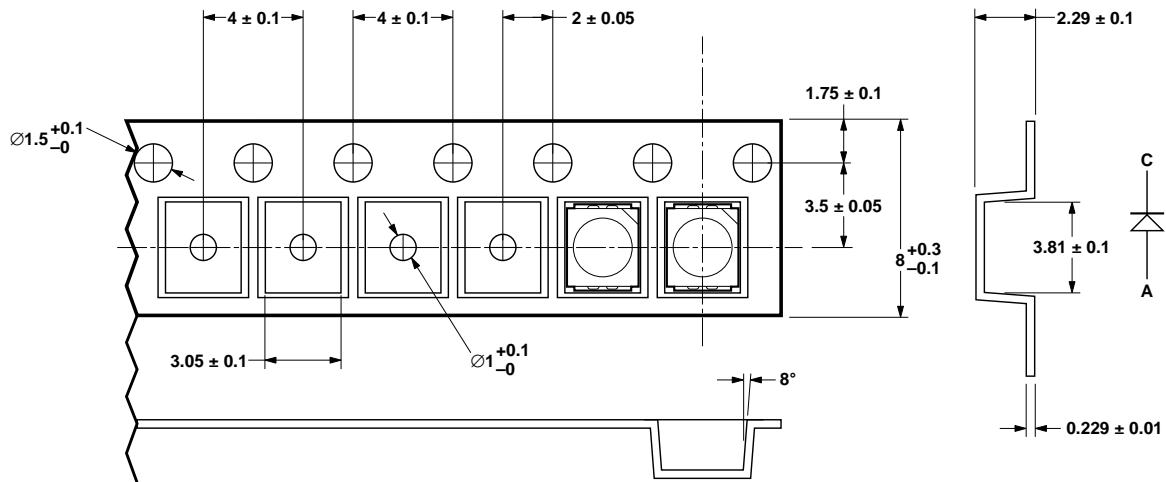


Figure 11. Tape dimension.

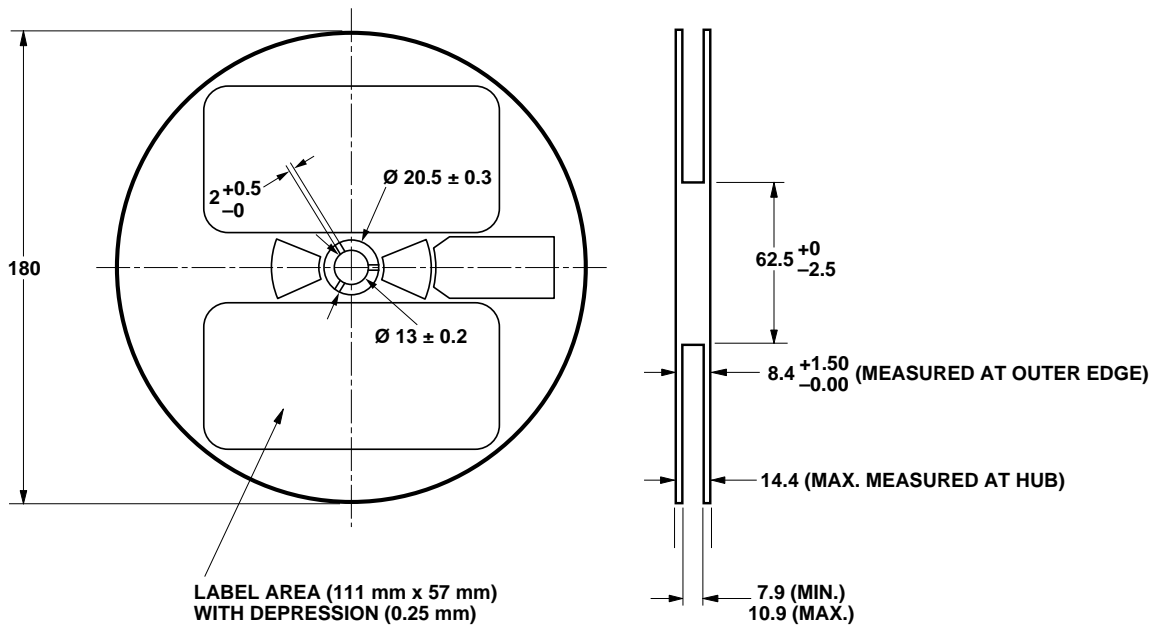


Figure 12. Reel dimension.

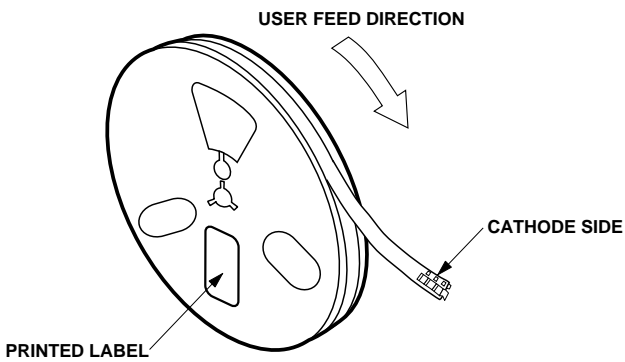


Figure 13. Reeling orientation.

Baking is required under the following conditions:

- a) the humidity indicator turns pink
- b) the pack has been opened for more than four weeks.

Baking recommended condition: $60 \pm 5^\circ\text{C}$ for 20 hours.

This product is qualified as Moisture Sensitive JEDEC Level 2A.

Intensity Bin Select (X₅X₆)

Individual reel will contain parts from one half bin only.

X₅	Min I _v Bin
X₆	
0	Full Distribution
3	3 half bins starting from X ₅ 1
4	4 half bins starting from X ₅ 1
5	5 half bins starting from X ₅ 1
7	3 half bins starting from X ₅ 2
8	4 half bins starting from X ₅ 2
9	5 half bins starting from X ₅ 2

Intensity Bin Limits

Bin ID	Min. (mcd)	Max. (mcd)
G1	1.80	2.24
G2	2.24	2.80
H1	2.80	3.55
H2	3.55	4.50
J1	4.50	5.60
J2	5.60	7.20
K1	7.20	9.00
K2	9.00	11.20
L1	11.20	14.00
L2	14.00	18.00
M1	18.00	22.40
M2	22.40	28.50
N1	28.50	35.50
N2	35.50	45.00
P1	45.00	56.00
P2	56.00	71.50
Q1	71.50	90.00
Q2	90.00	112.50
R1	112.50	140.00
R2	140.00	180.00
S1	180.00	224.00
S2	224.00	285.00
T1	285.00	355.00
T2	355.00	450.00
U1	450.00	560.00
U2	560.00	715.00
V1	715.00	900.00
V2	900.00	1125.00

Tolerance of each bin limit = ± 12%.

Color Bin Select (X₇)

Individual reel will contain parts from one full bin only.

X₇	
0	Full Distribution
Z	A and B only
Y	B and C only
W	C and D only
V	D and E only
U	E and F only
T	F and G only
S	G and H only
Q	A, B, and C only
P	B, C, and D only
N	C, D, and E only
M	D, E, and F only
L	E, F, and G only
K	F, G, and H only
1	A, B, C, and D only
2	E, F, G, and H only
3	B, C, D, and E only
4	C, D, E, and F only
5	A, B, C, D, and E only
6	B, C, D, E, and F only

Color Bin Limits

Blue	Min. (nm)	Max. (nm)
A	460.0	465.0
B	465.0	470.0
C	470.0	475.0
D	475.0	480.0

Green	Min. (nm)	Max. (nm)
A	515.0	520.0
B	520.0	525.0
C	525.0	530.0
D	530.0	535.0

Cyan	Min. (nm)	Max. (nm)
A	490.0	495.0
B	495.0	500.0
C	500.0	505.0
D	505.0	510.0

Color Bin Limits

Emerald	Min. (nm)	Max. (nm)
Green		
A	552.5	555.5
B	555.5	558.5
C	558.5	561.5
D	561.5	564.5

Yellow	Min. (nm)	Max. (nm)
Green		
E	564.5	567.5
F	567.5	570.5
G	570.5	573.5
H	573.5	576.5

Amber	Min. (nm)	Max. (nm)
A	582.0	584.5
B	584.5	587.0
C	587.0	589.5
D	589.5	592.0
E	592.0	594.5
F	594.5	597.0

Orange	Min. (nm)	Max. (nm)
A	597.0	600.0
B	600.0	603.0
C	603.0	606.0
D	606.0	609.0
E	609.0	612.0

Red Orange	Min. (nm)	Max. (nm)
A	611.0	616.0
B	616.0	620.0

Red	Min. (nm)	Max. (nm)
Full Distribution		

Tolerance of each bin limit = ± 1 nm.

X₈X₉	
J1	20 mA test current, Top Mount, 7 inch Reel
J2	10 mA test current, Top Mount, 7 inch Reel

www.agilent.com/semiconductors

For product information and a complete list of distributors, please go to our web site.

For technical assistance call:

Americas/Canada: +1 (800) 235-0312 or
(408) 654-8675

Europe: +49 (0) 6441 92460

China: 10800 650 0017

Hong Kong: (+65) 6271 2451

India, Australia, New Zealand: (+65) 6271 2394

Japan: (+81 3) 3335-8152(Domestic/International), or 0120-61-1280(Domestic Only)

Korea: (+65) 6271 2194

Malaysia, Singapore: (+65) 6271 2054

Taiwan: (+65) 6271 2654

Data subject to change.

Copyright © 2002 Agilent Technologies, Inc.

Obsoletes 5988-7658EN

November 1, 2002

5988-8257EN



Agilent Technologies